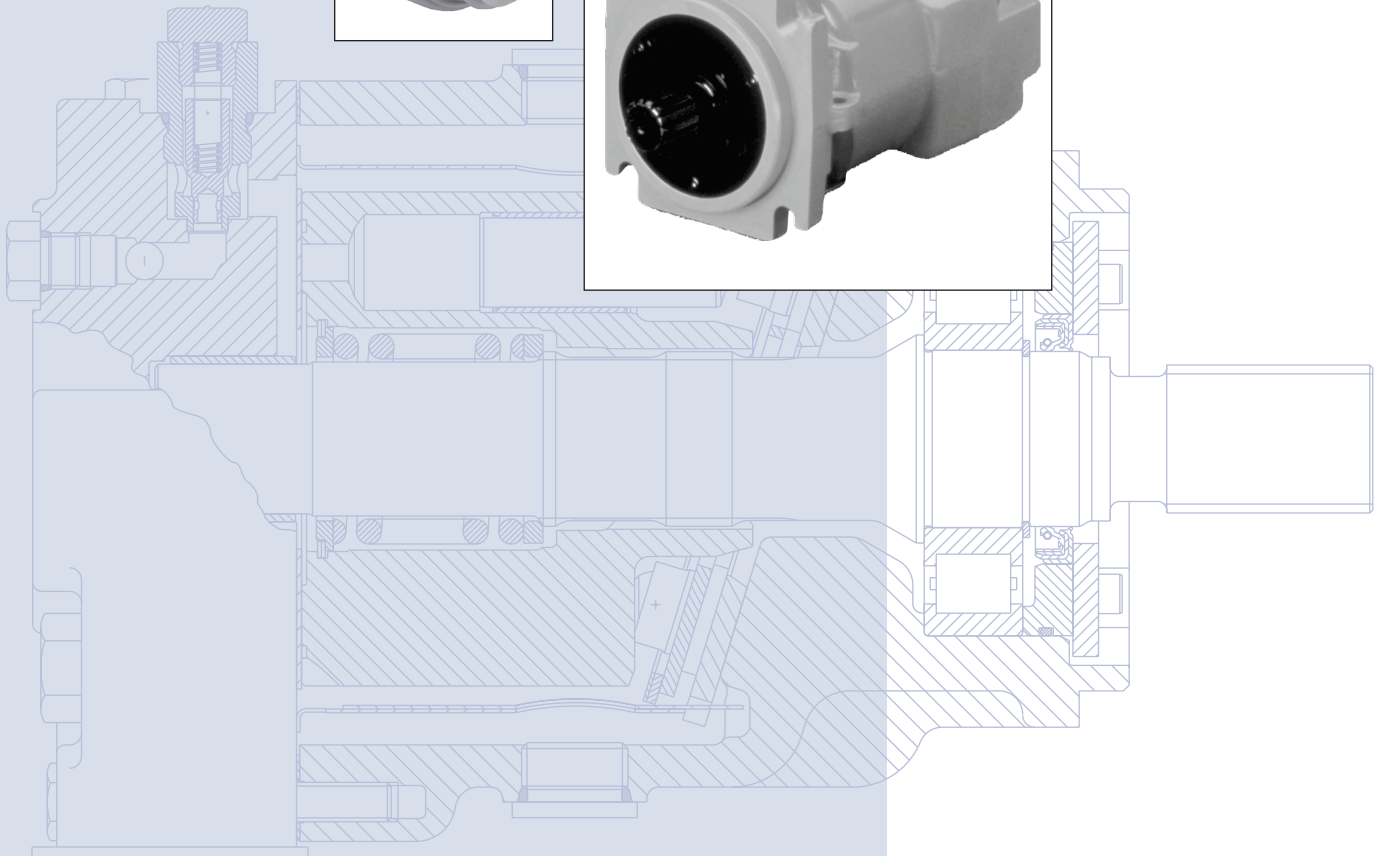
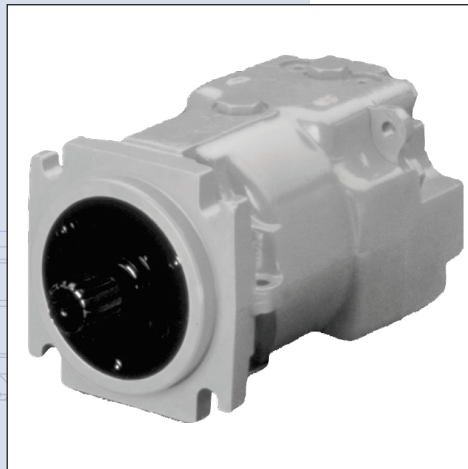
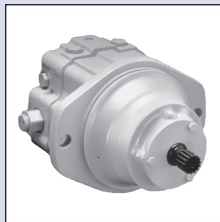
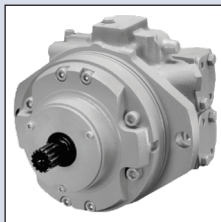




Series 90 Axial Piston Motors

Technical Information



HISTORY OF REVISIONS

Table of Revisions

Date	Page	Changed	Rev.
September 2008	26	flange to shaft length dimension should be $[5.15 \pm 0.001]$	DB
April 2007	18	Remove allowable shaft loading data - consult factory	DA
March 2004	-	Fourth edition	D

© 2008 Sauer-Danfoss. All rights reserved.

Sauer-Danfoss accepts no responsibility for possible errors in catalogs, brochures and other printed material. Sauer-Danfoss reserves the right to alter its products without prior notice. This also applies to products already ordered provided that such alterations aren't in conflict with agreed specifications. All trademarks in this material are properties of their respective owners. Sauer-Danfoss and the Sauer-Danfoss logotype are trademarks of the Sauer-Danfoss Group.

Front cover illustrations: F101 147, F101 434, P101 867

GENERAL DESCRIPTION	Series 90 family of pumps and motors.....	5
	Fixed displacement motor.....	6
	Cross section.....	6
	Name plate.....	6
	Variable displacement motor.....	7
	Cross section.....	7
	Name plate.....	7
	Fixed displacement motor, cartridge mount.....	8
	Cross section.....	8
	Name plate.....	8
	Pictorial circuit diagram.....	9
	System schematic.....	9
	TECHNICAL SPECIFICATIONS	Overview.....
Features and options.....		10
Specifications.....		10
Operating parameters.....		11
Fluid specifications.....		11
Efficiency graphs.....		12
Motor performance as a function of operating speed.....		12
Efficiency vs. speed.....		12
Motor performance as a function of pressure and speed.....		12
Efficiency plotted at various pressures and speeds.....		12
OPERATING PARAMETERS		Speed limits.....
	System pressure.....	13
	Case pressure.....	13
	Hydraulic Fluids.....	14
	Temperature and viscosity.....	14
	SYSTEM DESIGN PARAMETERS	Fluid and filtration.....
Independent braking system.....		15
Reservoir.....		15
Overpressure protection.....		16
Case drain.....		16
Sizing equations.....		17
Variables.....		17
External shaft loading and bearing life.....		18
Shaft loading.....		18
Shaft loading parameters.....		18
External shaft load orientation.....		18
Allowable shaft loading.....	18	
FEATURES AND OPTIONS	Two-position hydraulic control (PT).....	19
	Control schematic diagram.....	19
	Legend.....	19
	Two-position electrohydraulic displacement control (NA, NB, NC, ND).....	19
	Coil and connector options.....	19

**FEATURES AND OPTIONS
 (continued)**

Loop flushing20
 Recommended charge pump displacement20
 Equation20
 Where20
 Schematic diagram of loop flushing valve20
 Loop flushing flow curves.....20
 Loop flushing valve cross section20
 Speed sensor.....21
 Speed Sensor21
 Specifications21
 Pulse frequency21
 Speed sensor with Turck® Eurofast connector21
 Speed sensor with Packard® Weather-Pack connector21
 Shaft options.....22
 Series 90 shaft options.....22
 Displacement limiters (055MV only)23
 Displacement limiter adjustment screws.....23

**INSTALLATION
 DRAWINGS**

90M42 fixed motor SAE Mount24
 Splined output shaft options.....25
 Flow direction25
 90K55 fixed motor cartridge mount.....26
 Splined output shaft options.....27
 Flow direction27
 90M55 fixed motor SAE mount.....28
 Splined output shaft options.....29
 Flow direction29
 90M55 variable motor cartridge mount30
 Splined output shaft option31
 Flow direction31
 90V55 variable motor SAE mount32
 Splined output shaft option33
 Flow direction33
 90K75 fixed motor cartridge mount.....34
 Splined output shaft options.....35
 Flow direction35
 90M75 fixed motor SAE mount.....36
 Splined output shaft options.....37
 Flow direction37
 90M100 fixed motor SAE mount.....38
 Splined output shaft options.....39
 Flow direction39
 90M130 fixed motor SAE mount.....40
 Splined output shaft options.....41
 Flow direction41

**SERIES 90 FAMILY OF
PUMPS AND MOTORS**

Series 90 hydrostatic pumps and motors can be applied together or combined with other products in a system to transfer and control hydraulic power. They are intended for closed circuit applications.

Series 90 variable displacement pumps are compact, high power density units. All models utilize the parallel axial piston/slipper concept in conjunction with a tiltable swashplate to vary the pump's displacement. Reversing the angle of the swashplate reverses the flow of oil from the pump and thus reverses the direction of rotation of the motor output.

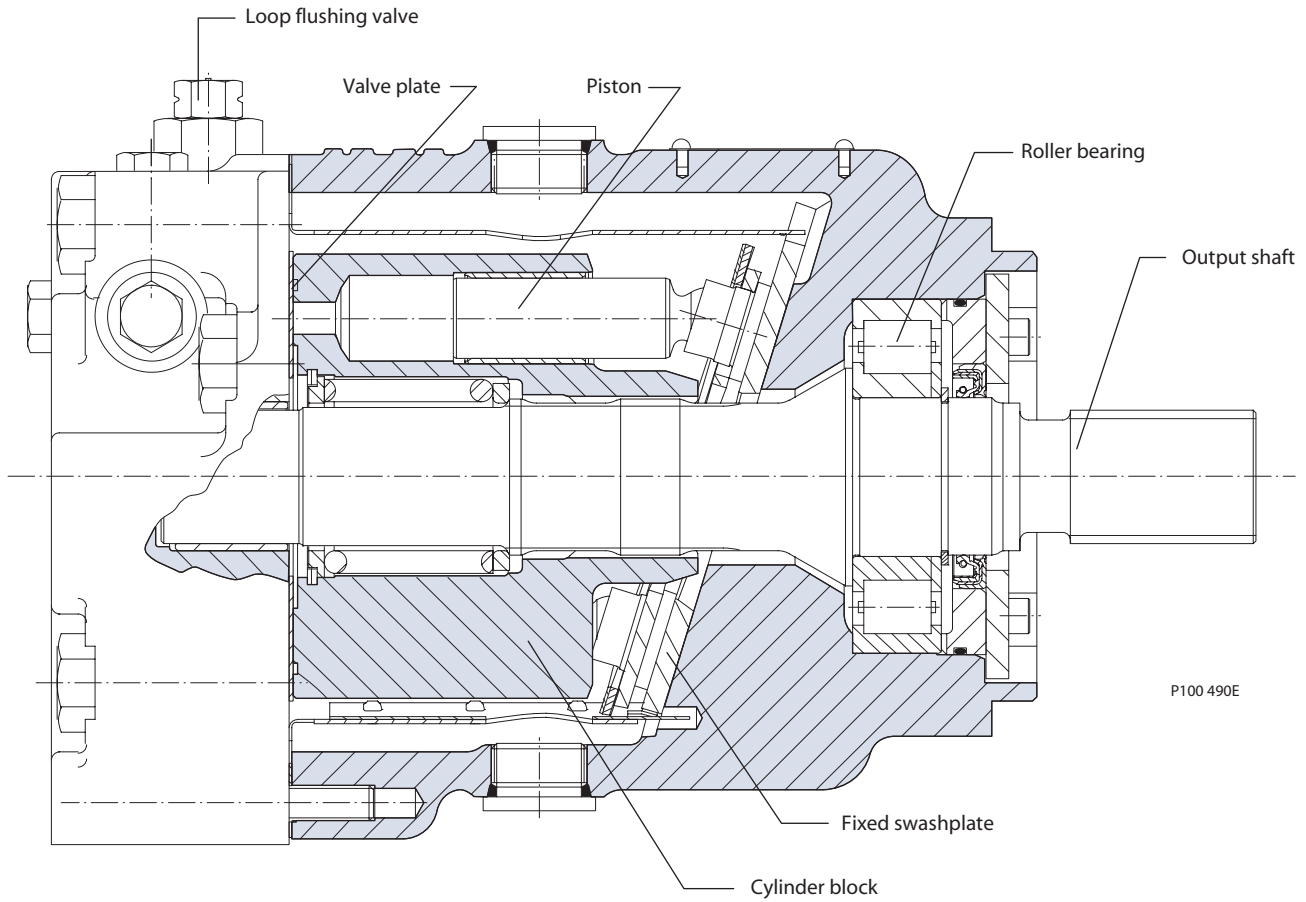
Series 90 pumps include an integral charge pump to provide system replenishing and cooling oil flow, as well as control fluid flow. They also feature a range of auxiliary mounting pads to accept auxiliary hydraulic pumps for use in complementary hydraulic systems. A complete family of control options is available to suit a variety of control systems (mechanical, hydraulic, electric).

Series 90 motors also use the parallel axial piston/slipper design in conjunction with a fixed or tiltable swashplate. They can intake/discharge fluid through either port; they are bidirectional. They also include an optional loop flushing feature that provides additional cooling and cleaning of fluid in the working loop.

- Series 90 – advanced technology today
- Seven sizes of variable displacement pumps
- Five sizes of fixed displacement motors
- One variable displacement motor
- SAE and cartridge mount configurations
- Efficient axial piston design
- Proven reliability and performance
- Compact, lightweight
- Worldwide sales and service

FIXED DISPLACEMENT MOTOR

Cross section

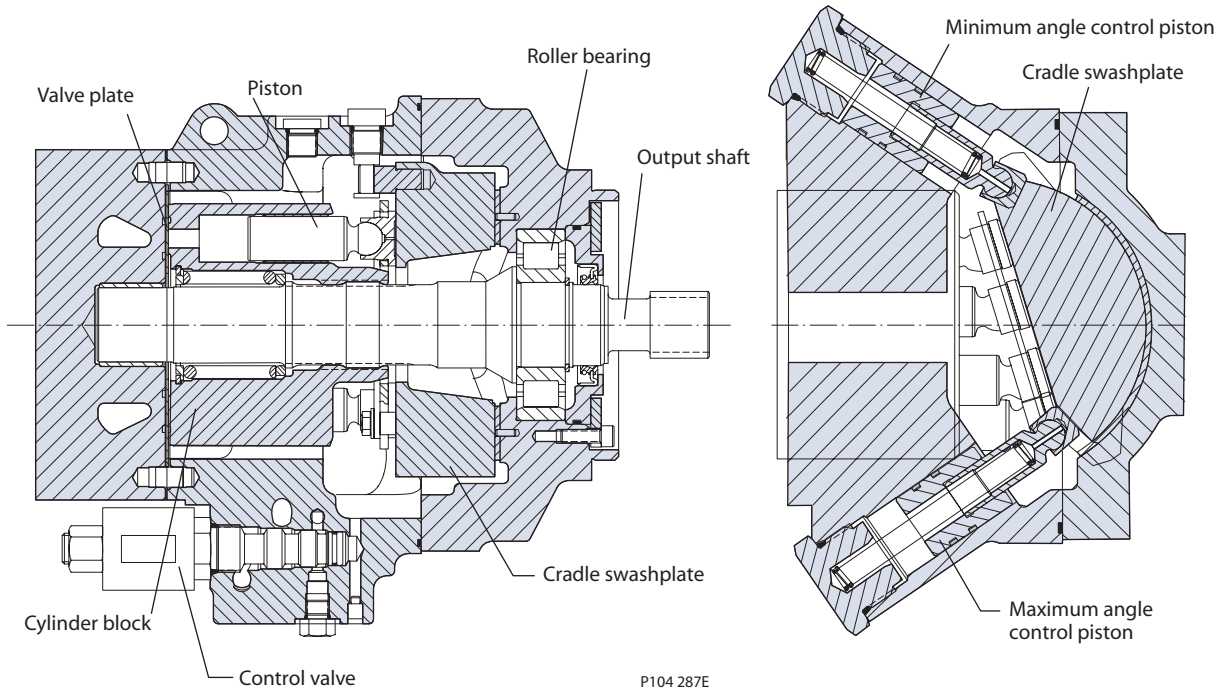


Name plate

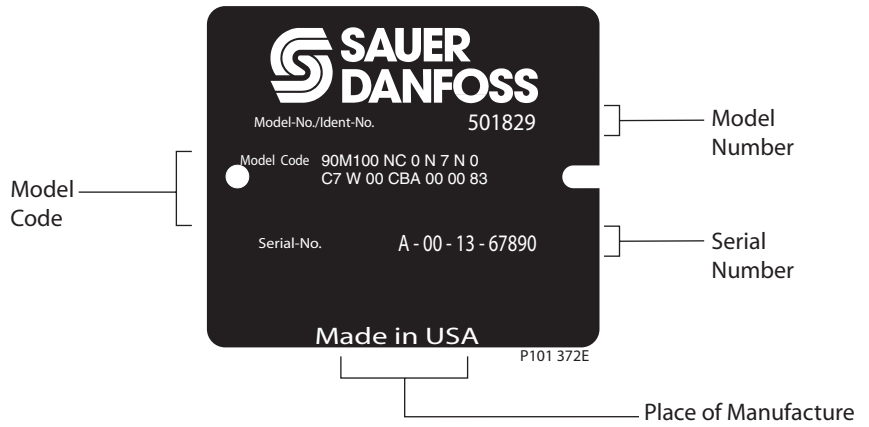


**VARIABLE
DISPLACEMENT MOTOR**

Cross section

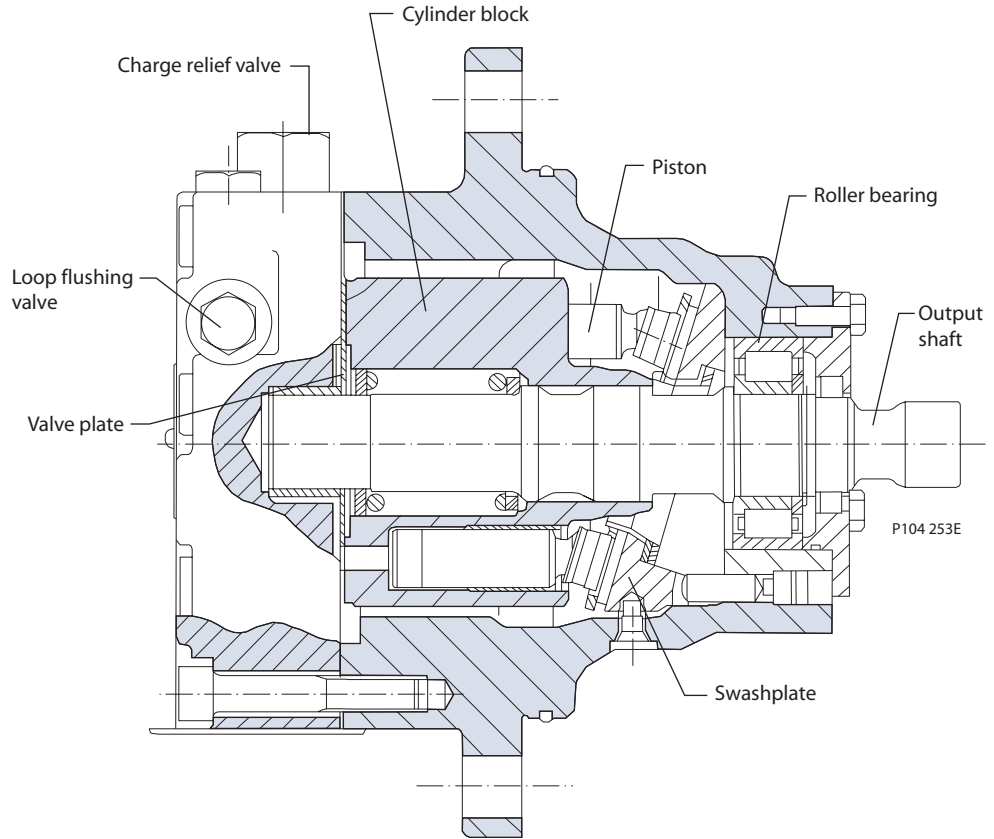


Name plate

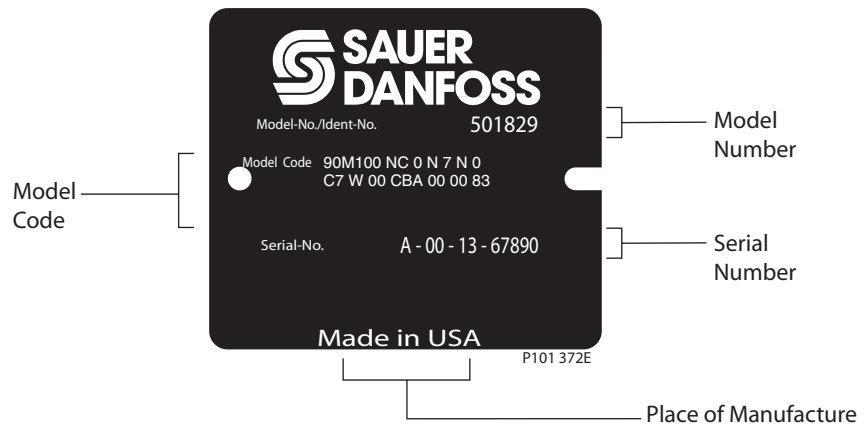


FIXED DISPLACEMENT MOTOR, CARTRIDGE MOUNT

Cross section

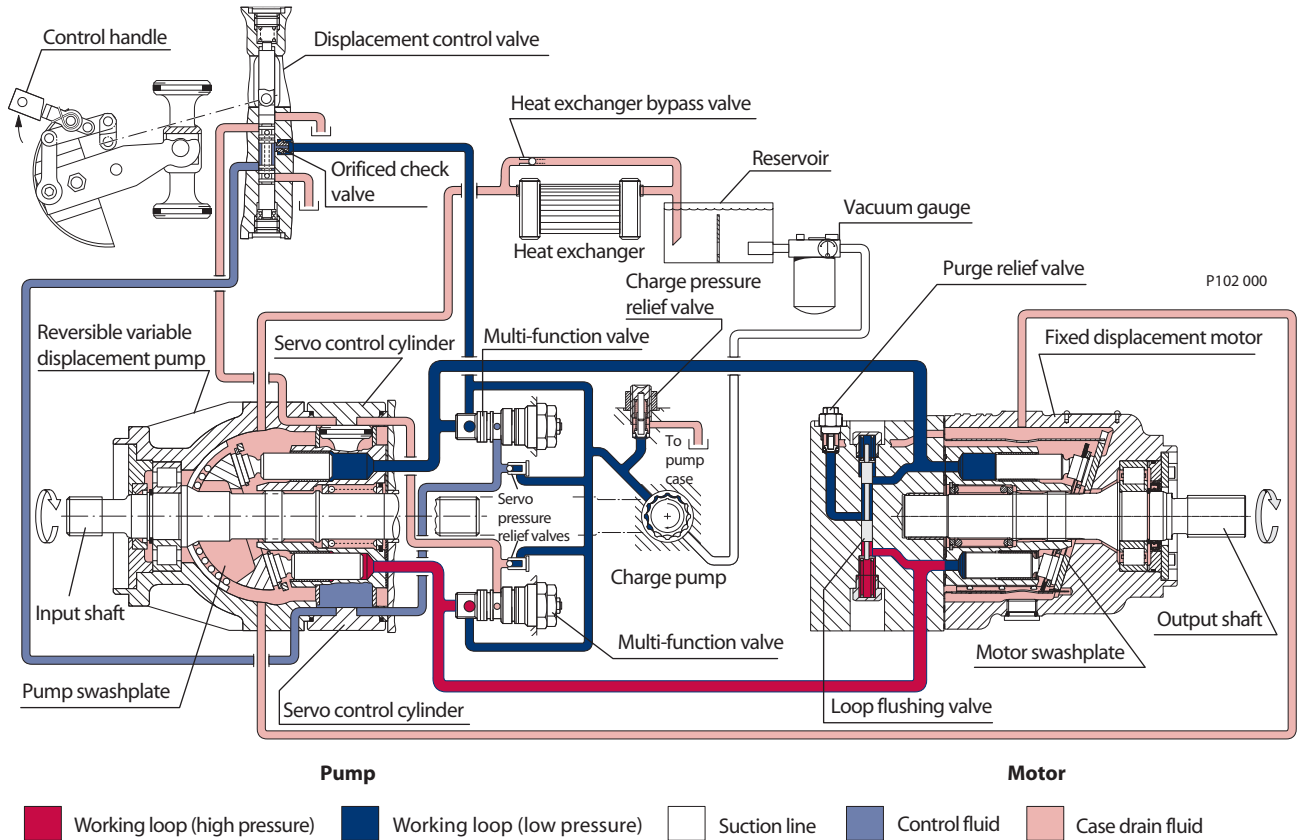


Name plate

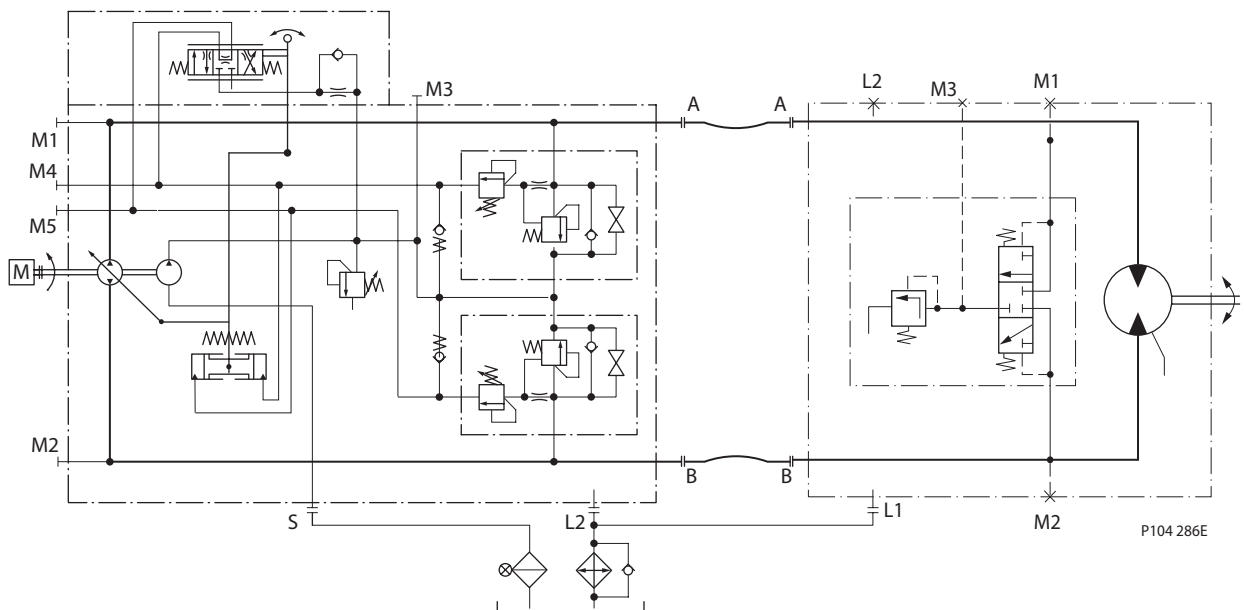


**PICTORIAL CIRCUIT
DIAGRAM**

This configuration shows a hydrostatic transmission using a Series 90 axial piston variable displacement pump and a Series 90 fixed displacement motor.



SYSTEM SCHEMATIC



OVERVIEW

Specifications for the Series 90 motors are listed here for quick reference. For definitions and additional information, see *Operating Parameters*, page 13, *Features and Options*, page 19, and the *Series 90 Model Code Supplement*.

FEATURES AND OPTIONS

Motor type	In-line, axial piston, closed loop, positive displacement motors
Direction of rotation	Bi-directional, see outline drawings for rotation vs. flow direction information
Installation position	Discretionary: Housing must be filled with hydraulic fluid
Other system requirements	Independent braking system, overpressure protection, suitable reservoir, proper filtration

Parameter	042 MF	055 MF	055 MV	075 MF	100 MF	130 MF
Types of mounting (SAE flange size per SAE J744)	SAE B	SAE C, cartridge	SAE C, cartridge	SAE C, cartridge	SAE C	SAE D
Port connections	Twin	Twin, axial	Twin	Twin, axial	Twin	Twin
Output shaft options	Spline	Spline, tapered, straight	Spline	Spline, tapered, straight	Spline, tapered, straight	Spline
Control options	—	—	Two-position electro-hydraulic, hydraulic	—	—	—
Loop flushing						
Speed sensor						
Displacement limiters	—	—		—	—	—
	Standard	Optional	— Not available / not applicable			

SPECIFICATIONS

Parameter	042 MF	055 MF	055 MV	075 MF	100 MF	130 MF	
Swashplate	Fixed	Fixed	Variable	Fixed	Fixed	Fixed	
Max. displacement cm ³ /rev [in ³ /rev]	42 [2.56]	55 [3.35]	55 [3.35]	75 [4.57]	100 [6.10]	130 [7.90]	
Maximum corner power kW [hp]	155 [208]	187 [251]	187 [251]	237 [318]	292 [392]	354 [475]	
Theoretical torque N•m/bar [lbf•in/1000 psi]	0.67 [410]	0.88 [530]	0.88 [530]	1.19 [730]	1.59 [970]	2.07 [1260]	
Weight kg [lb]	SAE	15 [34]	22 [49]	39 [86]	26 [57]	34 [74]	45 [99]
	Cartridge	21 [46]	26 [57]	40 [88]	33 [72]	—	—
Mass moment of inertia kg•m ² [slug•ft ²]	0.0023 [0.0017]	0.0060 [0.0044]	0.0060 [0.0044]	0.0096 [0.0071]	0.0150 [0.0111]	0.0230 [0.0170]	

OPERATING PARAMETERS

Parameter	Unit	042 MF	055 MF	055 MV	075 MF	100 MF	130 MF
Speed limits							
Continuous (max. disp.)	min ⁻¹ (rpm)	4200	3900	3900	3600	3300	3100
Maximum (max. disp.)		4600	4250	4250	3950	3650	3400
Continuous (min. disp.)		—	—	4600	—	—	—
Maximum (min. disp.)		—	—	5100	—	—	—
System pressure							
Continuous	bar [psi]	420 [6000]					
Maximum		480 [7000]					
Flow ratings							
Rated (max. disp., rated speed)	l/min [US gal/min]	176 [46]	215 [57]	215 [57]	270 [71]	330 [87]	403 [106]
Maximum (max. disp., max. speed)		193 [51]	234 [62]	234 [62]	296 [78]	365 [96]	442 [117]
Case pressure							
Continuous	bar [psi]	3 [44]					
Maximum (cold start)		5 [73]					

FLUID SPECIFICATIONS

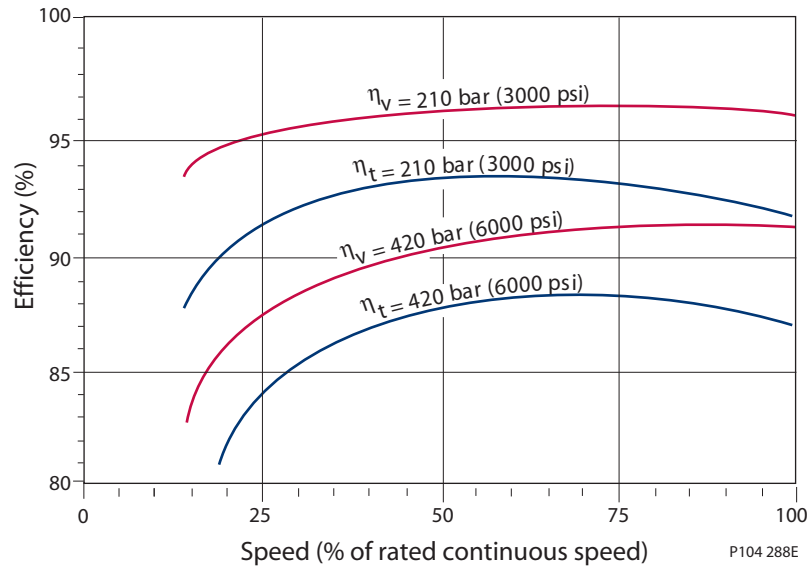
Viscosity mm ² /sec (cSt) [SUS]	
Minimum	7 [49]
Continuous	12-80 [70-370]
Maximum	1600 [7500]
Temperature °C [°F] <small>(measured at the hottest point in the system, usually the case drain)</small>	
Minimum	-40 [-40]
Continuous	104 [220]
Maximum	115 [240]
Filtration	
Cleanliness	22/18/13 or better per ISO 4406
Efficiency (suction filtration)	$\beta_{35-45}=75$ ($\beta_{10} \geq 2$)
Efficiency (charge filtration)	$\beta_{15-20}=75$ ($\beta_{10} \geq 10$)
Recommended inlet screen size	100-125 μm [0.0039-0.0049 in]

EFFICIENCY GRAPHS

Motor performance as a function of operating speed

The following performance graph provides typical volumetric and overall efficiencies for Series 90 motors. These efficiencies apply for all frame sizes.

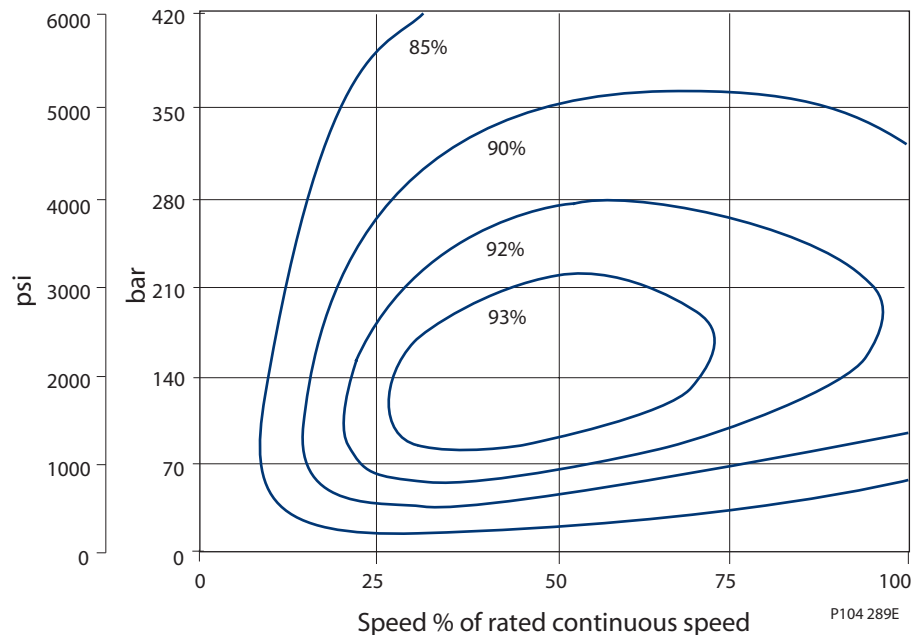
Efficiency vs. speed



Motor performance as a function of pressure and speed

The performance map provides typical motor overall efficiencies at various pressures and speeds. These efficiencies also apply for all frame sizes.

Efficiency plotted at various pressures and speeds



OVERVIEW

Maintain operating parameters within prescribed limits during all operating conditions. This section defines operating limits given in the table *Operating parameters*, page 11.

SPEED LIMITS

Continuous speed is the highest input speed recommended at full power condition. Operating at or below this speed should yield satisfactory product life. In a machine propel application, maximum motor speed during unloaded, on - road travelling on level ground should not exceed this limit.

Maximum speed is the highest operating speed permitted. Exceeding maximum speed reduces product life and can cause loss of hydrostatic power and braking capacity. Never exceed the maximum speed limit under any operating conditions.

Consult *Pressure and speed limits*, BLN-9984, when determining speed limits for a particular application.

Warning

Unintended vehicle or machine movement hazard.

Exceeding maximum speed may cause a loss of hydrostatic drive line power and braking capacity. You must provide a braking system, redundant to the hydrostatic transmission, sufficient to stop and hold the vehicle or machine in the event of hydrostatic drive power loss.

SYSTEM PRESSURE

System pressure is the differential pressure between system ports A and B. It is the dominant operating variable affecting hydraulic unit life. High system pressure, which results from high load, reduces system life. System pressure must remain at or below continuous pressure during normal operation to achieve expected life.

Continuous pressure is the average, regularly occurring operating pressure. Operating at or below this pressure should yield satisfactory product life.

Maximum pressure is the highest intermittent pressure allowed. Maximum machine load should never exceed this pressure. For all applications, the load should move below this pressure.

CASE PRESSURE

All pressure limits are differential pressures referenced to low loop (charge) pressure. Subtract low loop pressure from gauge readings to compute the differential.

Under normal operating conditions, the maximum continuous case pressure must not exceed 3 bar (44 psi). Maximum allowable intermittent case pressure during cold start must not exceed 5 bar (73 psi). Size drain plumbing accordingly.

Caution

Possible component damage or leakage

Operation with case pressure in excess of these limits may damage seals, gaskets, and/or housings, causing external leakage. Performance may also be affected since charge and system pressure are additive to case pressure.

HYDRAULIC FLUIDS

Ratings and data are based on operating with hydraulic fluids containing oxidation, rust and foam inhibitors. These fluids must possess good thermal and hydrolytic stability to prevent wear, erosion, and corrosion of pump components. Never mix hydraulic fluids of different types.

Fire resistant fluids are also suitable at modified operating conditions. Please see Sauer-Danfoss publication 520L0463 for more information. Refer to publication 520L0465 for information relating to biodegradable fluids.

Suitable Hydraulic fluids:

- Hydraulic fluids per DIN 51 524, 2-HLP,
- Hydraulic fluids per DIN 51 524, 3-HVLP,
- API CD, CE and CF engine fluids per SAE J183,
- M2C33F or G automatic transmission fluids (ATF),
- Dexron II (ATF), which meets the Allison C3- and Caterpillar TO-2 test,
- Agricultural multi purpose oil (STOU),
- Premium turbine oils.

TEMPERATURE AND VISCOSITY

Temperature and viscosity requirements must be concurrently satisfied. The data shown in the table *Fluid specifications*, page 11, assume petroleum-based fluids are used.

The high temperature limits apply at the hottest point in the transmission, which is normally the motor case drain. The system should generally be run at or below the **rated temperature**. The **maximum temperature** is based on material properties and should never be exceeded.

Cold oil will generally not affect the durability of the transmission components, but it may affect the ability of oil to flow and transmit power; therefore temperatures should remain 16 °C [30 °F] above the pour point of the hydraulic fluid. The **minimum temperature** relates to the physical properties of component materials.

For maximum unit efficiency and bearing life the fluid viscosity should remain in the **recommended operating range**. The **minimum viscosity** should be encountered only during brief occasions of maximum ambient temperature and severe duty cycle operation. The **maximum viscosity** should be encountered only at cold start.

Heat exchangers should be sized to keep the fluid within these limits. Testing to verify that these temperature limits are not exceeded is recommended.

FLUID AND FILTRATION

To prevent premature wear, it is imperative that only clean fluid enter the hydrostatic transmission circuit. A filter capable of controlling the fluid cleanliness to ISO 4406 class 22/18/13 (SAE J1165) or better under normal operating conditions is recommended.

The filter may be located either on the inlet (suction filtration) or discharge (charge pressure filtration) side of the charge pump. The selection of a filter depends on a number of factors including the contaminant ingress rate, the generation of contaminants in the system, the required fluid cleanliness, and the desired maintenance interval. Filters are selected to meet the above requirements using rating parameters of efficiency and capacity.

Filter efficiency may be measured with a Beta ratio¹ (β_x). For simple suction-filtered closed circuit transmissions and open circuit transmissions with return line filtration, a filter with a β -ratio within the range of $\beta_{35-45} = 75$ ($\beta_{10} \geq 2$) or better has been found to be satisfactory. For some open circuit systems, and closed circuits with cylinders being supplied from the same reservoir, a considerably higher filter efficiency is recommended. This also applies to systems with gears or clutches using a common reservoir. For these systems, a charge pressure or return filtration system with a filter β -ratio in the range of $\beta_{15-20} = 75$ ($\beta_{10} \geq 10$) or better is typically required.

Because each system is unique, only a thorough testing and evaluation program can fully validate the filtration system. Please see *Design Guidelines for Hydraulic Fluid Cleanliness*, 520L0467, for more information.

INDEPENDENT BRAKING SYSTEM

Warning

Unintended vehicle or machine movement hazard.

The loss of hydrostatic drive line power, in any mode of operation (forward, neutral, or reverse) may cause the system to lose hydrostatic braking capacity. You must provide a braking system, redundant to the hydrostatic transmission, sufficient to stop and hold the vehicle or machine in the event of hydrostatic drive power loss.

RESERVOIR

The reservoir should be designed to accommodate maximum volume changes during all system operating modes and to promote de-aeration of the fluid as it passes through the tank.

A suggested minimum total reservoir volume is 5/8 of the maximum charge pump flow per minute with a minimum fluid volume equal to 1/2 of the maximum charge pump flow per minute. This allows 30 seconds fluid dwell for removing entrained air at the maximum return flow. This is usually adequate to allow for a closed reservoir (no breather) in most applications.

The reservoir outlet to the charge pump inlet should be above the bottom of the reservoir to take advantage of gravity separation and prevent large foreign particles from entering the charge inlet line. A 125 mm screen over the outlet port is recommended. The reservoir inlet (fluid return) should be positioned so that flow to the reservoir

¹ Filter β -ratio is a measure of filter efficiency defined by ISO 4572. It is defined as the ratio of the number of particles greater than a given diameter ("x" in microns) upstream of the filter to the number of these particles downstream of the filter.

**RESERVOIR
(continued)**

is discharged below the normal fluid level, and also directed into the interior of the reservoir for maximum dwell and efficient de-aeration. A baffle (or baffles) between the reservoir inlet and outlet ports will promote de-aeration and reduce surging of the fluid.

**OVERPRESSURE
PROTECTION**

Series 90 motors (as well as other system components) have pressure limitations. As Series 90 motors are not equipped with overpressure protection, it is necessary that relief valves or pressure limiters are present elsewhere in the high pressure circuit to protect components from excessive pressures.

Series 90 pumps are designed with a sequenced pressure limiting system and high pressure relief valves. When the preset pressure is reached, the pressure limiter system acts to rapidly de-stroke the pump in order to limit the system pressure. For unusually rapid load application, the high pressure relief valve function is available to also limit the pressure level. Refer to publication BLN-10029 for more information.

For systems with relief valves only, high pressure relief valves are intended for transient overpressure protection and are not intended for continuous pressure control. Operation over relief valves for extended periods of time may result in severe heat build up. High flows over relief valves may result in pressure levels exceeding the nominal valve setting and potential damage to system components.

CASE DRAIN

A case drain line must be connected to one of the case outlets (L1 or L2) to return internal leakage and loop flushing flow to the system reservoir. The higher of the two case outlets should be used to promote complete filling of the case. Since case drain fluid is typically the hottest fluid in the system, it is advantageous to return this flow through the heat exchanger.

SIZING EQUATIONS

The following equations are helpful when sizing hydraulic motors. Generally, the sizing process is initiated by an evaluation of the machine system to determine the required motor speed and torque to perform the necessary work function. Refer to *Selection of drive line components*, BLN-9985, for a more complete description of hydrostatic drive line sizing. First, the motor is sized to transmit the maximum required torque. The pump is then selected as a flow source to achieve the maximum motor speed.

Based on SI units

$$\text{Input flow } Q = \frac{V_g \cdot n}{1000 \cdot \eta_v} \quad (\text{l/min})$$

$$\text{Output torque } M = \frac{V_g \cdot \Delta p \cdot \eta_m}{20 \cdot \pi} \quad (\text{N}\cdot\text{m})$$

$$\text{Output power } P = \frac{Q \cdot \Delta p \cdot \eta_t}{600} \quad (\text{kW})$$

$$\text{Motor speed } n = \frac{Q \cdot 1000 \cdot \eta_v}{V_g} \quad (\text{min}^{-1}(\text{rpm}))$$

Based on US units

$$\text{Input flow } Q = \frac{V_g \cdot n}{231 \cdot \eta_v} \quad (\text{US gal/min})$$

$$\text{Output torque } M = \frac{V_g \cdot \Delta p \cdot \eta_m}{2 \cdot \pi} \quad (\text{lb}\cdot\text{ft})$$

$$\text{Output power } P = \frac{Q \cdot \Delta p \cdot \eta_t}{1714} \quad (\text{hp})$$

$$\text{Motor speed } n = \frac{Q \cdot 231 \cdot \eta_v}{V_g} \quad (\text{min}^{-1}(\text{rpm}))$$

Variables SI units [US units]

V_g	= Displacement per revolution	cm^3/rev [in^3/rev]
p_o	= Outlet pressure	bar [psi]
p_i	= Inlet pressure	bar [psi]
Δp	= $p_o - p_i$ (system pressure)	bar [psi]
n	= Speed	min^{-1} (rpm)
η_v	= Volumetric efficiency	
η_m	= Mechanical efficiency	
η_t	= Overall efficiency ($\eta_v \cdot \eta_m$)	

**EXTERNAL SHAFT
 LOADING AND BEARING
 LIFE**

Bearing life is a function of several operating conditions including shaft speed, system pressure, swashplate angle, fluid viscosity, fluid cleanliness and external loading. The bearing will not limit motor life to less than 10 000 B₁₀ hours at rated speeds for any duty cycle assuming proper fluid conditions are maintained and no external loads are present. Particle contamination and poor viscosity reduce the life of bearings.

External radial forces on the shaft transfer to the bearing and are additive to the internal bearing loads. The net effect on bearing life is thus a function of the orientation as well as the magnitude of the external shaft load. Maximum allowable external shaft load (Re) is determined from the maximum allowable bending moment (Me) in the table, *Allowable shaft loading* (below), given as a function of orientation as shown in the figure *External shaft load orientation* (right).

$$R_e = M_e / L$$

Although shaft deflection increases, bearing life can be optimized by orientating the external load so that it is not additive to the internal loading.

To offset the internal bearing loads and optimize bearing life, the external load should be oriented at around 180° if possible. External overhung adapters (or outboard bearings) are recommended for installations with high radial and/or axial loads. Tapered input shafts or clamp-type couplings are recommended for installations where radial shaft loads are present. Splined shafts are not recommended installations where radial loads are present.

Please contact your Sauer-Danfoss representative for a bearing life analysis if:

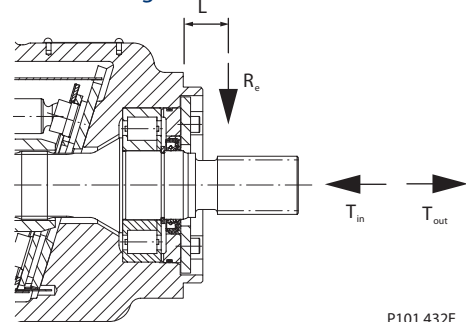
- continuously applied external radial load exceeds 25% of the maximum allowable.
- design life is greater than 10 000 hours.

Provide information on location and direction of the external load.

Allowable shaft loading

Parameter	Unit	Frame size				
		042	055	075	100	130
M _e at 0°	N·m [lbf·in]	consult factory	consult factory	consult factory	consult factory	consult factory
M _e at 90°, 180°, 270°	N·m [lbf·in]	consult factory	consult factory	consult factory	consult factory	consult factory
T _{in}	N (lbf)	consult factory	consult factory	consult factory	consult factory	consult factory
T _{out}	N (lbf)	consult factory	consult factory	consult factory	consult factory	consult factory

Shaft loading

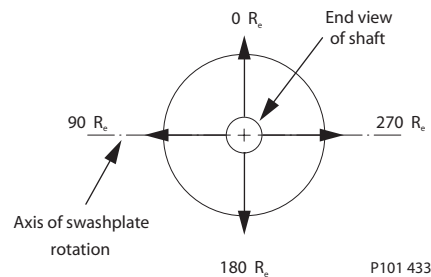


P101 432E

Shaft loading parameters

R _e	Maximum radial side load
M _e	Maximum external moment
L	Distance from mounting flange to point of load
T _{in}	Maximum shaft thrust inward
T _{out}	Maximum shaft thrust outward

External shaft load orientation

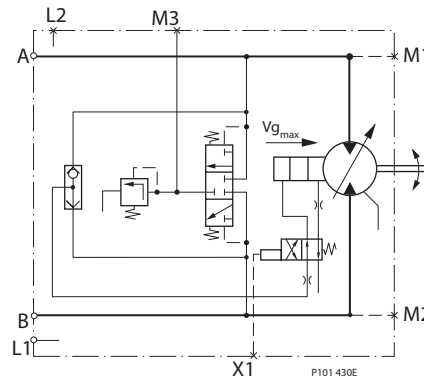


P101 433

**TWO-POSITION
 HYDRAULIC CONTROL
 (PT)**

Displacement can be changed hydraulically under load from maximum displacement to minimum displacement and vice-versa, by applying a hydraulic signal to port X1. The slow orifice option will give an appropriate motor shift rate. More abrupt shifts can be achieved with the fast orifice option. The fast orifice option may be required on dual path (differential steer) applications to prevent steering errors during shifting.

Control schematic diagram



Legend

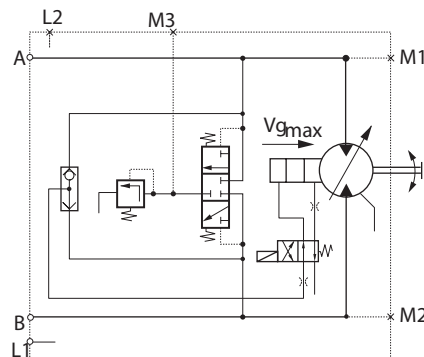
- A, B = Main pressure lines
- M3 = Charge pressure gage port
- L1, L2 = Drain lines
- M1, M2 = Gauge port for port "A" & "B"
- X1 = Control pressure port

Port X1 pressurized = Min. displacement
 Port X1 drained = Max. displacement
 Min. Required Pressure = 60 psi over case pressure

**TWO-POSITION
 ELECTROHYDRAULIC
 DISPLACEMENT
 CONTROL
 (NA, NB, NC, ND)**

Displacement can be changed electrohydraulically under load from maximum displacement to minimum displacement and vice-versa, by using a built-in solenoid valve. The "slow" orifice option will give an appropriate motor shift rate. More abrupt shifts can be achieved with a "fast" orifice option. The fast orifice option may be required on "dual path" (differential steer) applications to prevent steering errors during shift.

Control schematic diagram



Legend

- A, B = Main pressure lines
- M3 = Charge pressure gage port
- L1, L2 = Drain lines
- M1, M2 = Gauge port for port "A" & "B"

Coil energized = Min. Displacement
 Coil de-energized = Max. Displacement
 Either polarity of control voltage is acceptable.

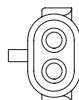
Coil and connector options

Option NB
 12V Packard® Weather Pack
 (part no. 12010973)

Option ND
 24V Packard® Weather Pack
 (part no. 12015792)

Option NA or NC
 12 or 24V MS connector
 (part no. 12015792)

Mating parts kit
 Part no. K03383
 Ident # 712190
 (female terminals)



Mating parts kit
 Part no. K03377
 Ident # 629725
 (male terminals)



Mating parts kit
 Part no. MS3101AIOSL-4P
 (female terminals)



LOOP FLUSHING

Warning
Unintended vehicle or machine movement hazard.
 Excessive motor loop flushing flow may result in the inability to build required system pressure in some conditions. Maintain correct charge pressure under all conditions of operation to maintain pump control performance in hydrostatic systems.

An integral non-adjustable loop flushing valve is incorporated into Series 90 motors. Installations that require fluid to be removed from the low pressure side of the system circuit because of cooling requirements or contamination removal will benefit from loop flushing.

The integral loop flushing valve is equipped with an orificed charge pressure relief valve designed with a cracking pressure of 16 bar [232 psi]. Valves are available with several orifice sizes to meet the flushing flow requirements of all system operating conditions.

The total system charge pump flow should be of sufficient volume to accommodate:

- The number of motors in the system
- System efficiency under worst case conditions
- Pump control requirements
- External needs

Although charge pump sizing requires the consideration of many system variables, the following table gives a recommendation of what charge pump displacement may be required to accommodate the flushing flow of each available charge relief valve orifice.

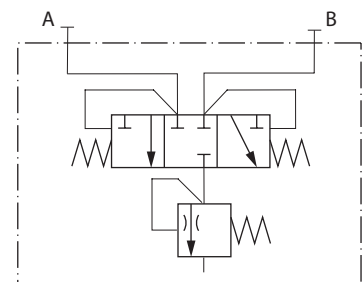
Equation
$$Q_{Flush} = \frac{Q_{Charge} - Q_{Leak}}{2 \cdot k_{Mo}}$$

- Where
- Q_{Flush} = flushing flow per motor
 - Q_{Charge} = charge flow at operating speed
 - k_{Mo} = number of motors fed by one pump
 - Q_{Leak} = sum of external leakages including the following:
 - motor leakage
 - pump leakage + internal consumers: 8 l/min [2.11 US gal/min] for displacement control pumps
 - or for non-feedback controlled pumps at 200 bar [2900 psi]
 - external consumers (brakes, cylinders, other pumps)

Recommended charge pump displacement

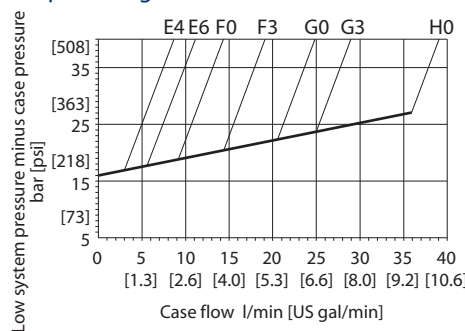
Orifice option	Charge pump displacement
E4	8 cm ³ [0.49 in ³]
E6	8 cm ³ [0.49 in ³]
F0	11 cm ³ [0.67 in ³]
F3	14 cm ³ [0.85 in ³]
G0	17 or 20 cm ³ [1.04 or 1.22 in ³]
G3	26 cm ³ [1.59 in ³]
H0	34, 37, or 65 cm ³ [2.07, 2.26, or 3.97 in ³]

Schematic diagram of loop flushing valve



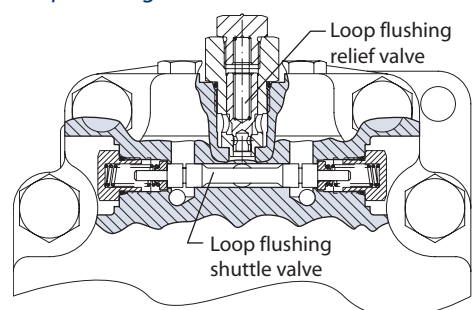
P001 830

Loop flushing flow curves



P001 860E

Loop flushing valve cross section



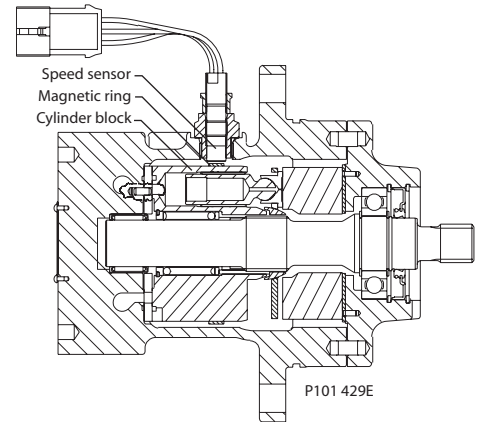
P101 426E

SPEED SENSOR

An optional speed sensor for direct measurement of speed is available. This sensor may also be used to sense the direction of rotation.

A special magnetic ring is pressed onto the outside diameter of the cylinder block and a Hall effect sensor is located in the motor housing. The sensor accepts supply voltage and outputs a digital pulse signal in response to the speed of the ring. The output changes its high/low state as the north and south poles of the permanently magnetized speed ring pass by the face of the sensor. The digital signal is generated at frequencies suitable for microprocessor based controls. The sensor is available with different connectors (see below).

Speed Sensor



Specifications

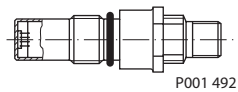
Supply voltage*	4.5 to 8.5 VDC
Supply voltage (regulated)	15 VDC max.
Required current	12 mA at 5 VDC, 1 Hz
Max. current	20 mA at 5 VDC, 1 Hz
Max. frequency	15 kHz
Voltage output (high)	Supply -0.5 V min.
Voltage output (low)	0.5 V max.
Temperature range	-40° to 110°C [-40° to 230°F]

* Do not energize the 4.5 to 8.5 VDC sensor with 12 VDC battery voltage. Use a regulated power supply. If you need to energize the sensor with battery voltage, contact your Sauer-Danfoss representative for a special sensor.

Pulse frequency

	042	055	075	100	130
Pulse per revolution	48	52	58	63	69

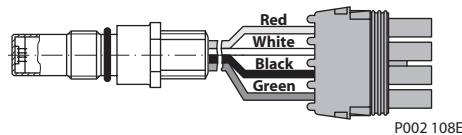
Speed sensor with Turck® Eurofast connector



Turck Eurofast Connector 4 pin
 (Supplied Connector)

Mating Connector
 straight right angle
 No.: K14956 No.: K14957
 Id.-No.: 500724 Id.-No.: 500725

Speed sensor with Packard® Weather-Pack connector



Packard Weather-Pack 4 pin
 (Supplied Connector)

Mating Connector
 No.: K03379
 Id.-No.: 505341

SHAFT OPTIONS

Series 90 motors are available with a variety of splined, straight keyed, and tapered shaft ends. Nominal shaft sizes and torque ratings are shown in the accompanying table.

Torque ratings assume no external radial loading. Continuous torque ratings for splined shafts are based on spline tooth wear, and assume the mating spline has a minimum hardness of Rc 55 and full spline depth with initial lubrication. Maximum torque ratings are based on fatigue and assume 200 000 load reversals. The permissible continuous torque may approach the maximum rating if the spline is immersed in circulating oil.

Series 90 shaft options

Shaft description	Option code	Torque rating			Frame size availability				
			N•m	in•lbf	042	055	075	100	130
15 tooth, 16/32 pitch spline	C3 (SAE)	Maximum: Continuous:	340 192	3000 1700		—	—	—	—
21 tooth, 16/32 pitch spline	C6	Maximum: Continuous:	1130 384	10 000 3400	—				—
23 tooth, 16/32 pitch spline	C7	Maximum: Continuous:	1580 509	14 000 4500	—	—			—
27 tooth, 16/32 pitch spline	C8	Maximum: Continuous:	2938 814	26 000 7200	—	—	—	—	
13 tooth, 8/16 pitch spline	F1	Maximum: Continuous:	1810 746	16 000 6600	—	—	—		
13 tooth, 8/16 pitch spline (long)	F2	Maximum: Continuous:	1810 746	16 000 6600	—	—	—		—
14 tooth, 12/24 pitch spline	S1	Maximum: Continuous:	735 283	6500 2500	—				—
17 tooth, 12/24 pitch spline	S5	Maximum: Continuous:	1695 599	15 000 5300	—	—	—		—
34.9 mm [1.374 in] dia. straight keyed	K1	Maximum:	768	6800	—		—	—	—
38.07 mm [1.499 in] dia. straight keyed	K2	Maximum:	1130	10 000	—	—		—	—
44.42 mm [1.749 in] dia. straight keyed	K3	Maximum:	1582	14 000	—	—	—		—

Available
 — Not available

Recommended mating splines for Series 90 splined output shafts should be in accordance with ANSI B92.1 Class 5. Sauer-Danfoss external splines are modified class 5 fillet root side fit. The external spline major diameter and circular tooth thickness dimensions are reduced to assure a clearance fit with the mating spline. Contact your Sauer-Danfoss representative for other splined shaft options.

**DISPLACEMENT LIMITERS
 (055MV ONLY)**

Series 90 055MV variable motors include mechanical displacement (stroke) limiters. Both maximum and minimum displacement of the motor can be limited.

Adjustments can be made by loosening the seal lock nut and rotating the limiter screw. Reducing displacement increases motor speed for a given flow rate, increasing displacement reduces speed. The seal lock nut must be re-torqued after any adjustment.

Series 90 variable motors are shipped with the minimum displacement limiter set at the lowest displacement setting and the maximum displacement setting set at full displacement.

▲ WARNING

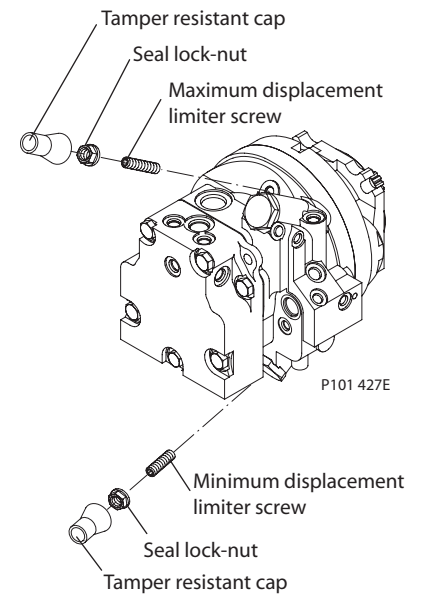
Undesirable vehicle or machine speed hazard.

To avoid undesirable speed conditions, adjust displacement limiters carefully. Make small adjustments and test in a controlled environment. Re-torque the sealing lock nut after every adjustment to prevent an unexpected changes and external leakage. Replace tamper-resistant caps before returning the motor to service.

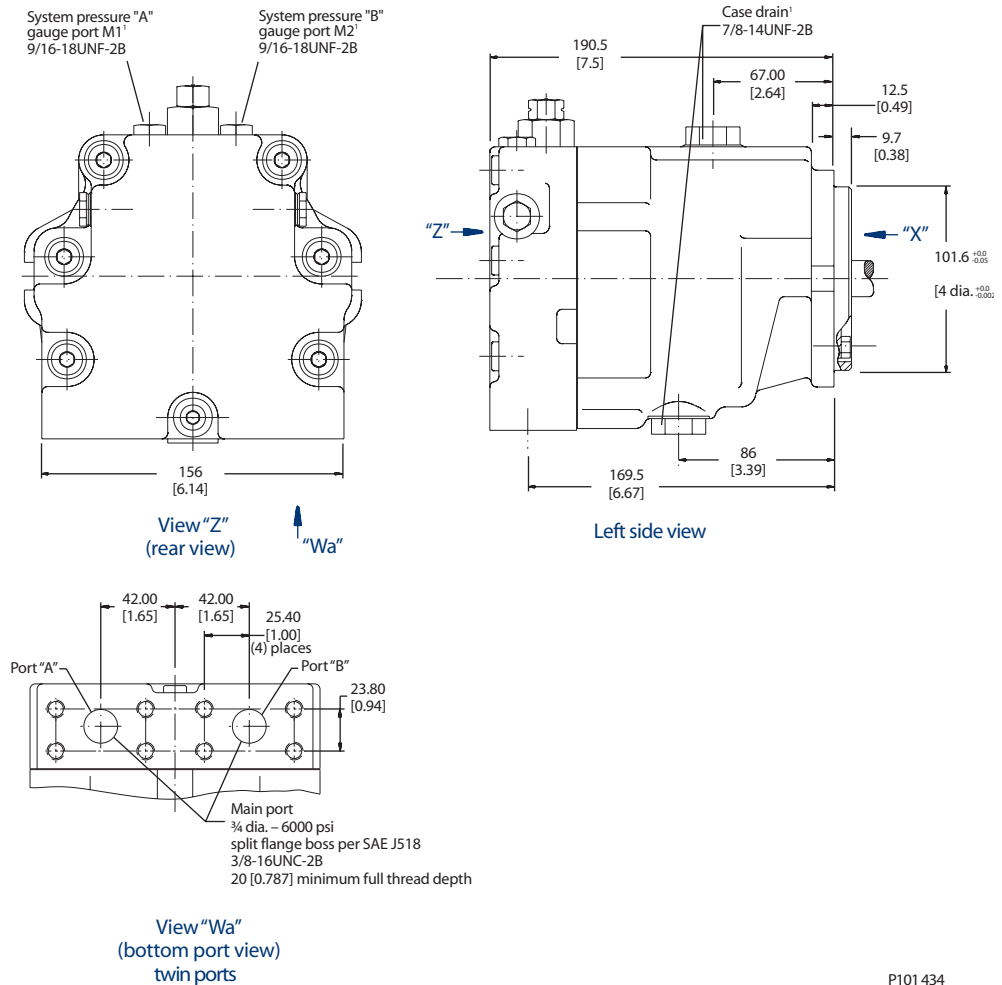
Motor shaft rotation

Shaft direction	Flow direction	
	Port A	Port B
Clockwise (CW)	in	out
Counterclockwise (CCW)	out	in

Displacement limiter adjustment screws



**90M42 FIXED MOTOR
SAE MOUNT**



P101434

All SAE straight thread O-rings ports per SAE J1926 (fittings per SAE 514). Shaft rotation is determined by viewing motor from output shaft end. Contact your Sauer-Danfoss representative for specific installation drawings

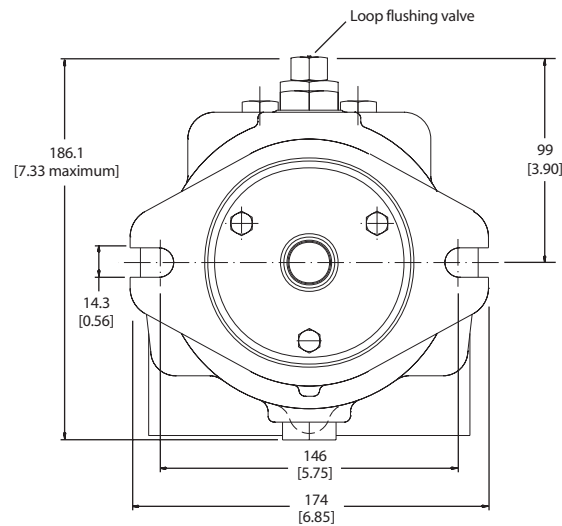
**90M42 FIXED MOTOR
 SAE MOUNT
 (continued)**

Splined output shaft options

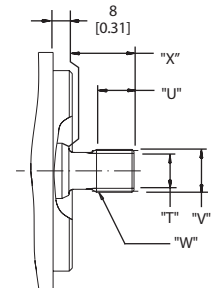
Output shaft option	Shaft diameter T	Full spline length U	Major diameter V	Length X	Pitch diameter W	Number of teeth Y	Pitch Z
C2	18.67 [0.735]	19.0 [0.748]	21.72 [0.855]	33 [1.3]	20.6375 [0.8125]	13	16/32
C3	19.9 [0.784]	25 [0.98]	25.27 [0.994]	33 [1.3]	23.8125 [0.9375]	15	16/32

Flow direction

Shaft rotation	Flow direction	
	Port "A"	Port "B"
Clockwise (CW)	Out	In
Counterclockwise (CCW)	In	Out



View "X"
 (front view)

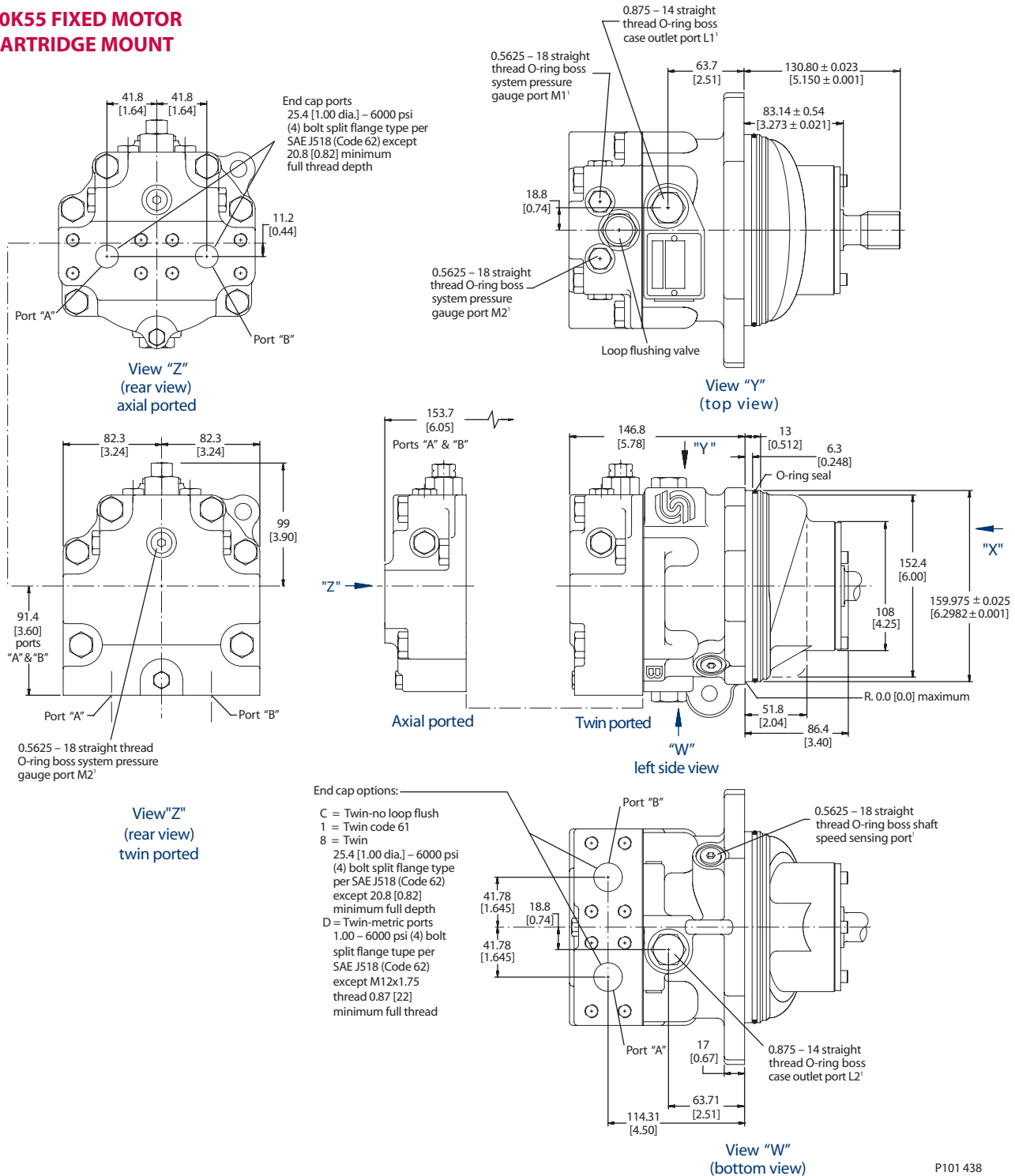


P101 435

mm
 [in]

All SAE straight thread O-rings ports per SAE J1926 (fittings per SAE 514). Shaft rotation is determined by viewing motor from output shaft end. Contact your Sauer-Danfoss representative for specific installation drawings

**90K55 FIXED MOTOR
 CARTRIDGE MOUNT**



P101 438

All SAE straight thread O-rings ports per SAE J1926 (fittings per SAE 514). Shaft rotation is determined by viewing motor from output shaft end. Contact your Sauer-Danfoss representative for specific installation drawings

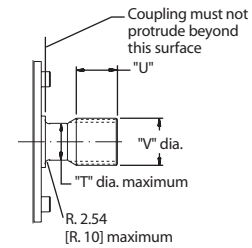
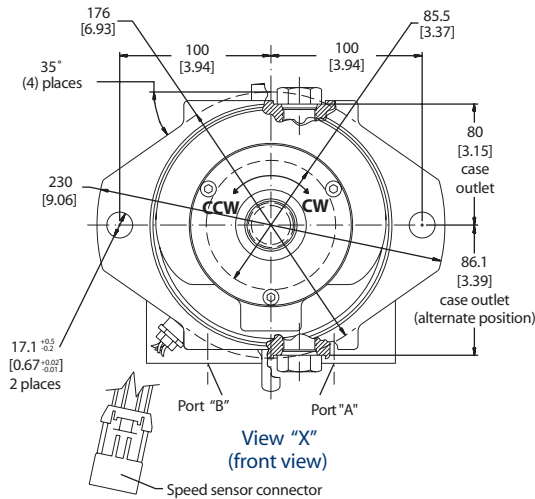
**90K55 FIXED MOTOR
 CARTRIDGE MOUNT
 (continued)**

Splined output shaft options

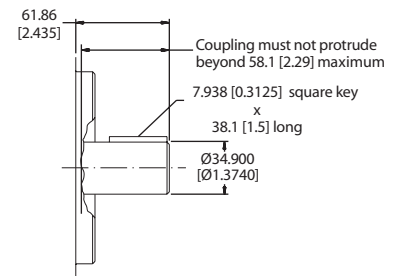
Output shaft option	Shaft diameter T	Full spline length U	Major diameter V	Pitch diameter W	Number of teeth Y	Pitch Z
S1	24.9 [0.98]	27.9 [1.10]	31.13 [1.2258]	29.634 [1.1667]	14	12/24
C6	29 [1.14]	32.5 [1.28]	34.42 [1.3550]	33.338 [1.3125]	21	16/32

Flow direction

Shaft rotation	Flow direction	
	Port "A"	Port "B"
Clockwise (CW)	Out	In
Counterclockwise (CCW)	In	Out



Splined shaft options
(see tables)



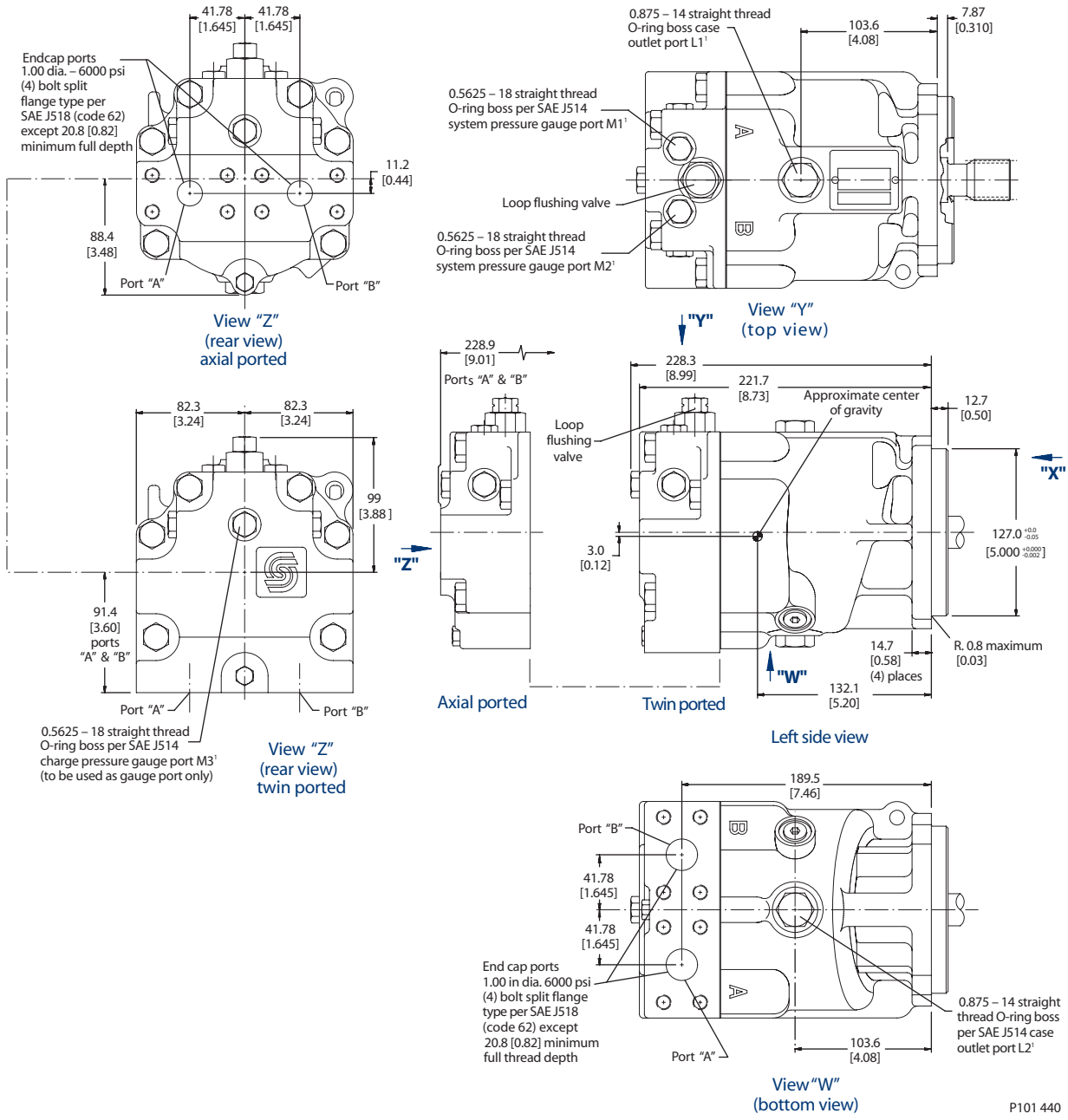
Shaft option K1

P101 439

mm
[in]

All SAE straight thread O-rings ports per SAE J1926 (fittings per SAE 514). Shaft rotation is determined by viewing motor from output shaft end. Contact your Sauer-Danfoss representative for specific installation drawings

**90M55 FIXED MOTOR
 SAE MOUNT**



P101 440

All SAE straight thread O-rings ports per SAE J1926 (fittings per SAE 514). Shaft rotation is determined by viewing motor from output shaft end. Contact your Sauer-Danfoss representative for specific installation drawings

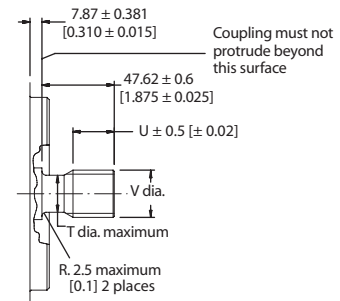
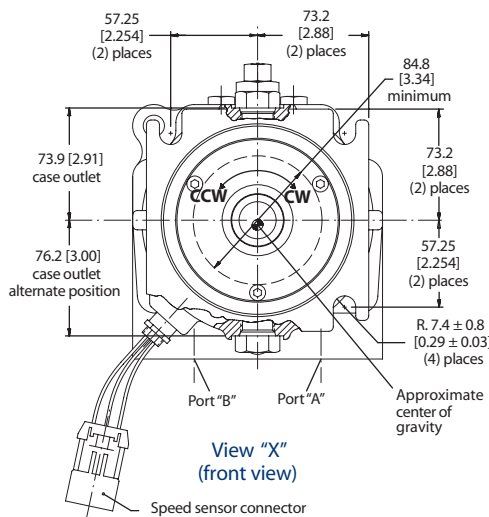
**90M55 FIXED MOTOR
 SAE MOUNT
 (continued)**

Splined output shaft options

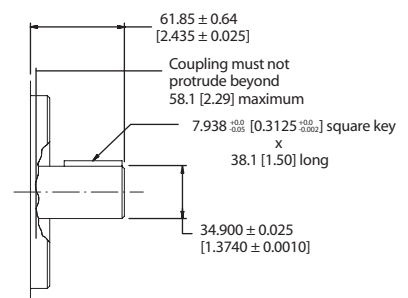
Output shaft option	Shaft diameter T	Full spline length U	Major diameter V	Pitch diameter W	Number of teeth Y	Pitch Z
S1	24.9 [0.98]	27.9 [1.10]	31.13 [1.2258]	29.634 [1.1667]	14	12/24
C6	29 [1.14]	32.5 [1.28]	34.42 [1.3550]	33.338 [1.3125]	21	16/32

Flow direction

Shaft rotation	Flow direction	
	Port "A"	Port "B"
Clockwise (CW)	Out	In
Counterclockwise (CCW)	In	Out



Splined shaft options
 (see table)



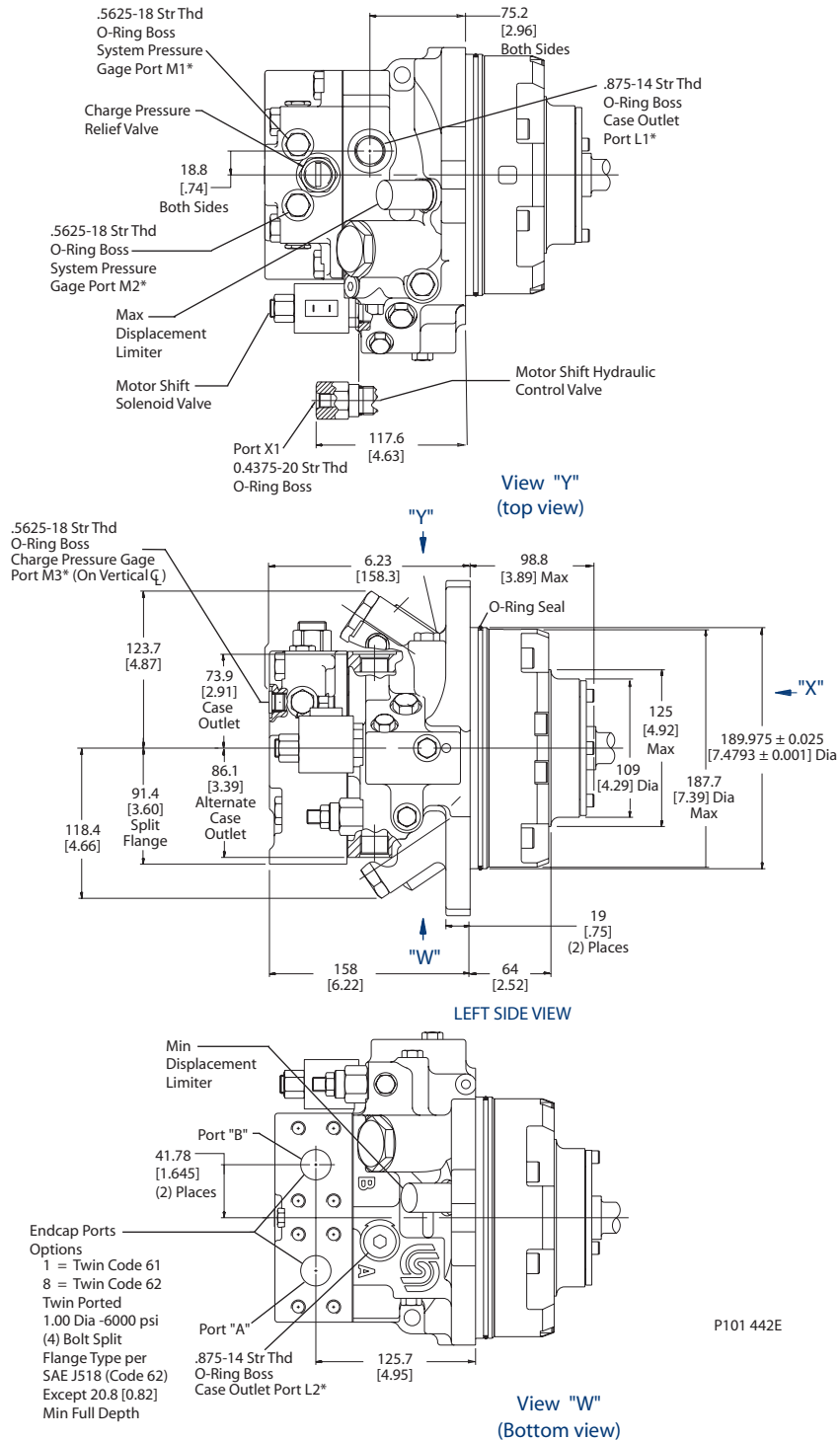
Shaft option: K1
 (keyed)

P101.441

mm
 [in]

All SAE straight thread O-rings ports per SAE J1926 (fittings per SAE 514). Shaft rotation is determined by viewing motor from output shaft end. Contact your Sauer-Danfoss representative for specific installation drawings

**90M55 VARIABLE MOTOR
 CARTRIDGE MOUNT**



All SAE straight thread O-rings ports per SAE J1926 (fittings per SAE 514). Shaft rotation is determined by viewing motor from output shaft end. Contact your Sauer-Danfoss representative for specific installation drawings

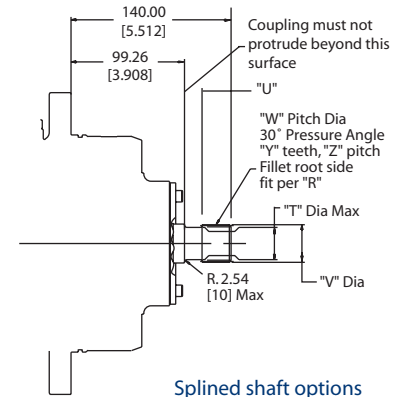
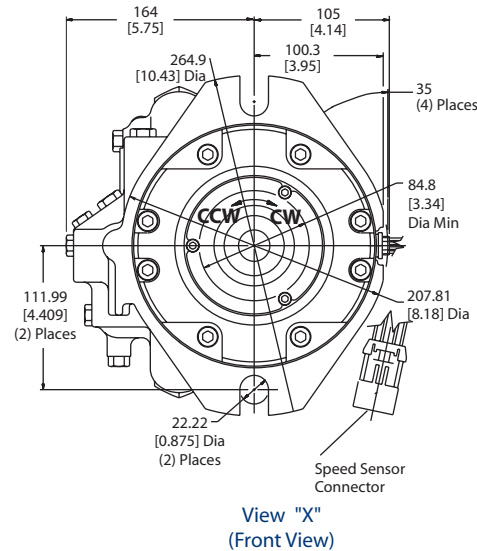
**90M55 VARIABLE MOTOR
 CARTRIDGE MOUNT
 (continued)**

Splined output shaft option

Output shaft option	Shaft diameter T	Full spline length U	Major diameter V	Pitch diameter W	Number of teeth Y	Pitch Z
S1	24.9 [0.98]	25.4 [1.00]	31.14 [1.2258]	29.634 [1.1667]	14	12/24

Flow direction

Shaft rotation	Flow direction	
	Port A	Port B
Clockwise (CW)	in	out
Counterclockwise (CCW)	out	in



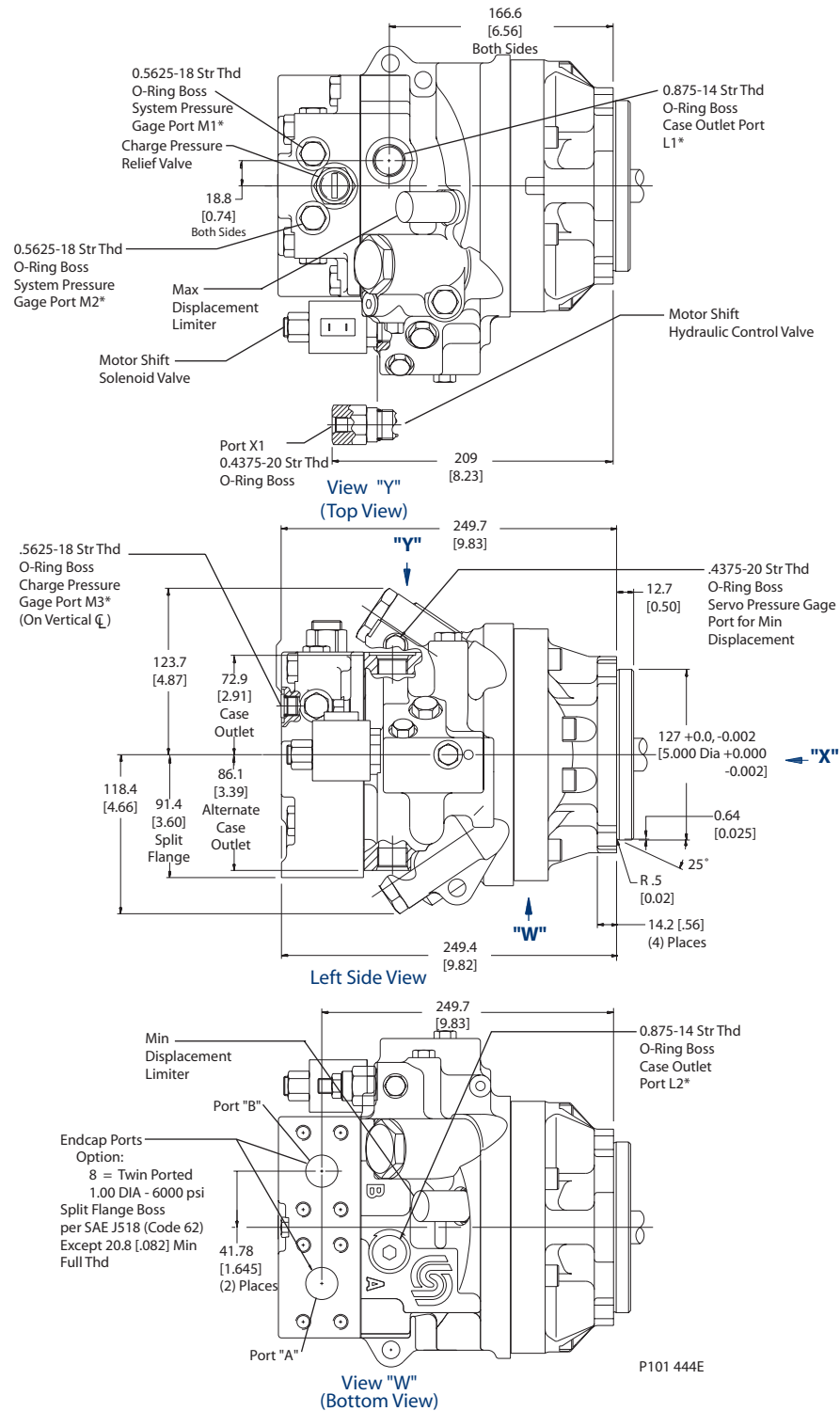
Splined shaft options
(see table)

P101 443E

mm
[in]

All SAE straight thread O-rings ports per SAE J1926 (fittings per SAE 514). Shaft rotation is determined by viewing motor from output shaft end. Contact your Sauer-Danfoss representative for specific installation drawings

90V55 VARIABLE MOTOR
 SAE MOUNT



All SAE straight thread O-rings ports per SAE J1926 (fittings per SAE 514). Shaft rotation is determined by viewing motor from output shaft end. Contact your Sauer-Danfoss representative for specific installation drawings

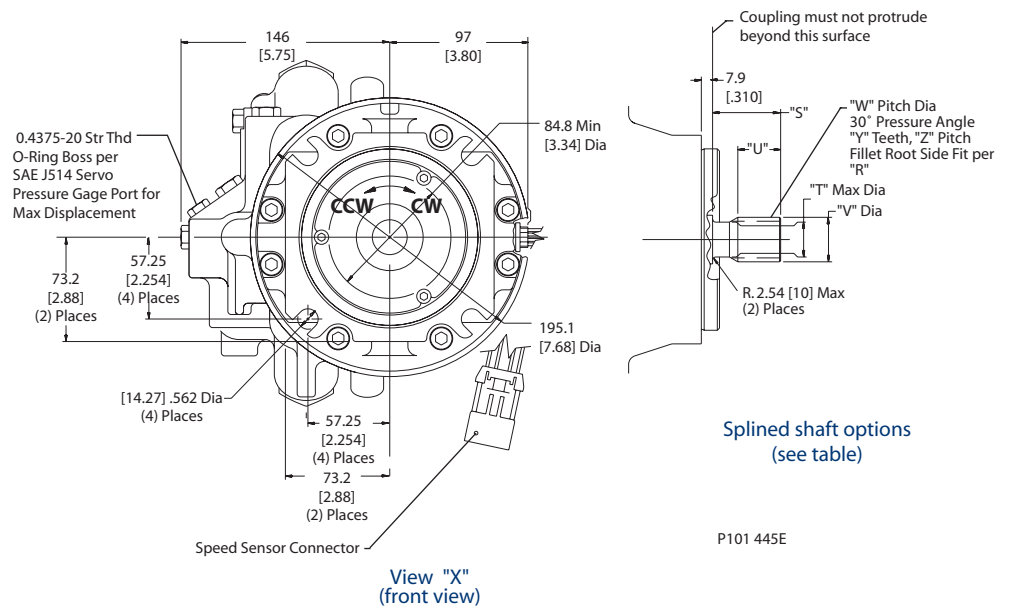
**90V55 VARIABLE MOTOR
 SAE MOUNT
 (continued)**

Splined output shaft option

Output shaft option	Shaft diameter T	Full spline length U	Major diameter V	Pitch diameter W	Number of teeth Y	Pitch Z
S1	24.9 [0.98]	27.9 [1.10]	31.13 [1.2258]	29.634 [1.1667]	14	12/24

Flow direction

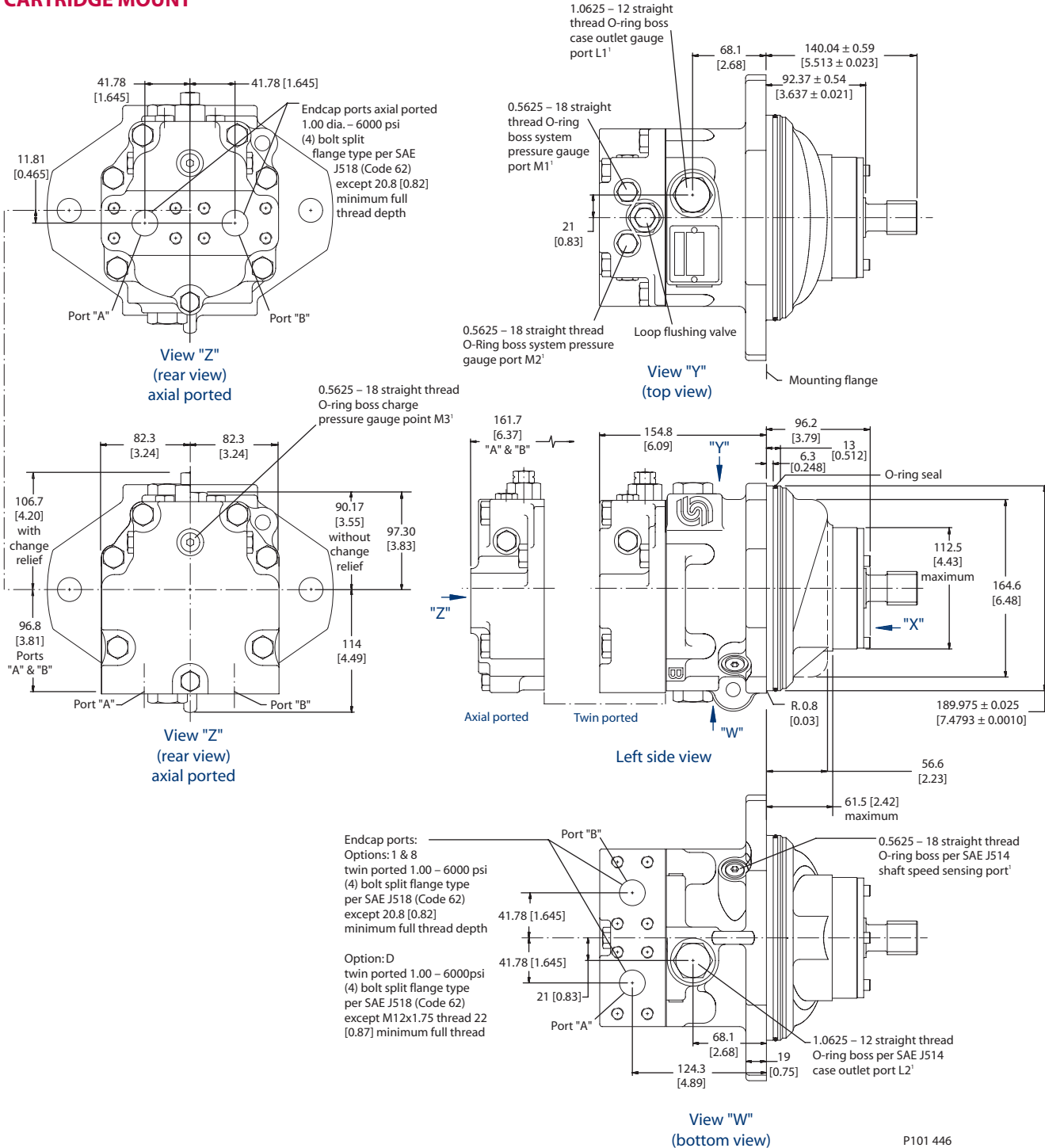
Shaft rotation	Flow direction	
	Port A	Port B
Clockwise (CW)	in	out
Counterclockwise (CCW)	out	in



All SAE straight thread O-rings ports per SAE J1926 (fittings per SAE 514). Shaft rotation is determined by viewing motor from output shaft end. Contact your Sauer-Danfoss representative for specific installation drawings

mm
 [in]

**90K75 FIXED MOTOR
 CARTRIDGE MOUNT**



P101 446

All SAE straight thread O-rings ports per SAE J1926 (fittings per SAE 514). Shaft rotation is determined by viewing motor from output shaft end. Contact your Sauer-Danfoss representative for specific installation drawings

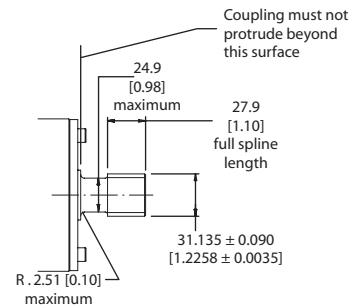
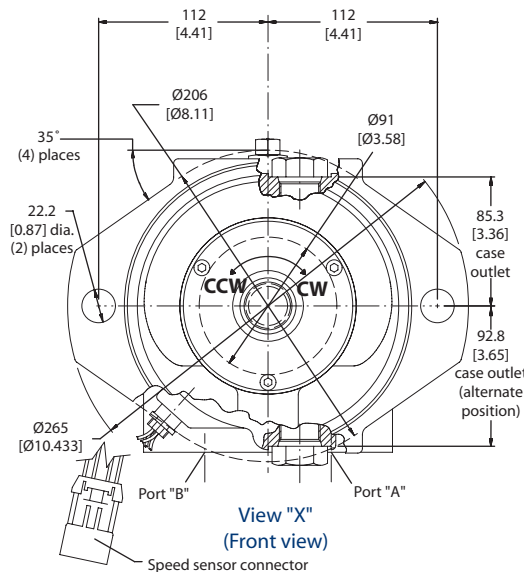
**90K75 FIXED MOTOR
 CARTRIDGE MOUNT
 (continued)**

Splined output shaft options

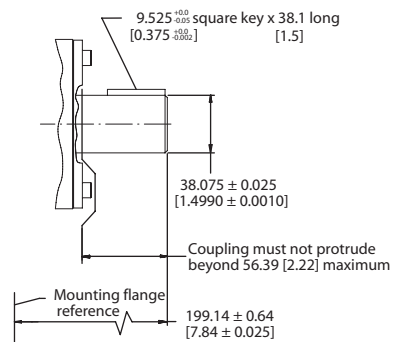
Output shaft option	Shaft diameter T	Full spline length U	Major diameter V	Pitch diameter W	Number of teeth Y	Pitch Z
S1	29.9 [0.98]	27.9 [1.10]	31.13 [1.2258]	29.634 [1.1667]	14	12/24
C6	29 [1.14]	32.5 [1.28]	24.42 [1.3550]	33.338 [1.3125]	21	16/32
C7	32.3 [1.27]	34.8 [1.37]	37.59 [1.480]	36.513 [1.4375]	23	16/32

Flow direction

Shaft rotation	Flow direction	
	Port "A"	Port "B"
Clockwise (CW)	Out	In
Counterclockwise (CCW)	In	Out



Splined shaft options
(see table)



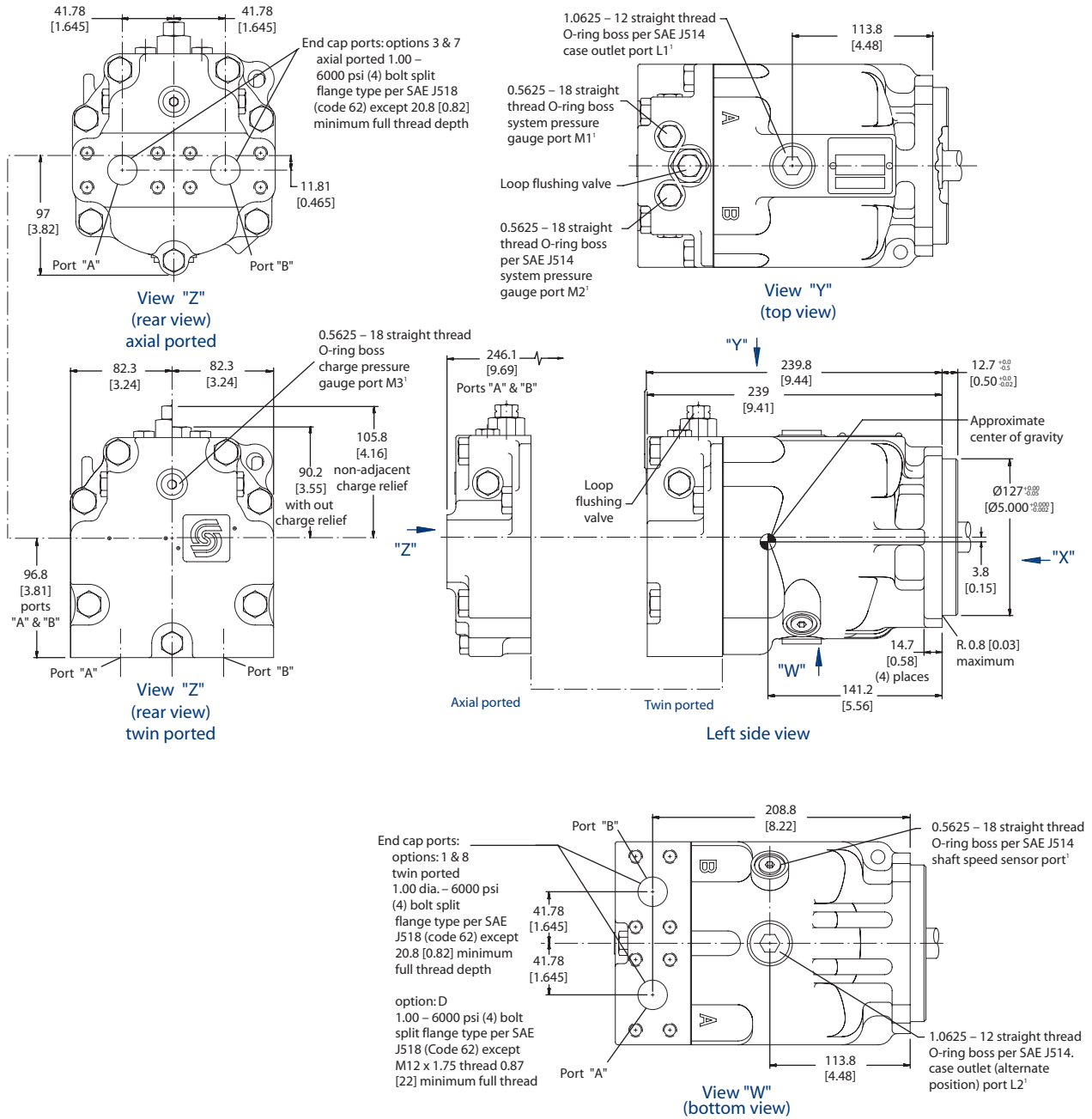
Shaft options K2
(keyed)

P101 447

All SAE straight thread O-rings ports per SAE J1926 (fittings per SAE 514). Shaft rotation is determined by viewing motor from output shaft end. Contact your Sauer-Danfoss representative for specific installation drawings

mm
[in]

**90M75 FIXED MOTOR
 SAE MOUNT**



P101 448

All SAE straight thread O-rings ports per SAE J1926 (fittings per SAE 514). Shaft rotation is determined by viewing motor from output shaft end. Contact your Sauer-Danfoss representative for specific installation drawings

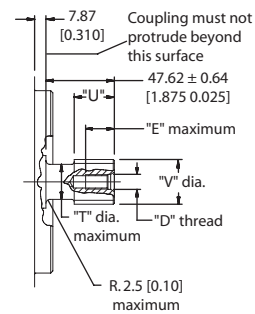
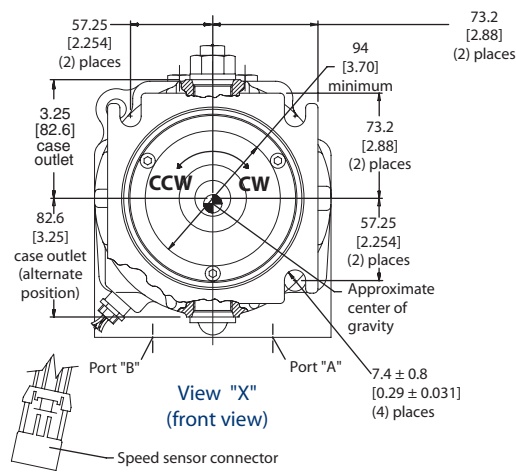
**90M75 FIXED MOTOR
 SAE MOUNT
 (continued)**

Splined output shaft options

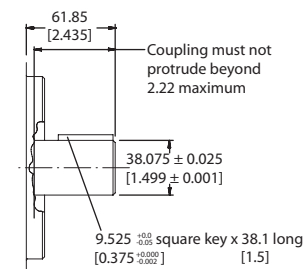
Output shaft option	Shaft diameter T	Full spline length U	Major diameter V	Pitch diameter W	Number of Teeth Y	Pitch Z
S1	24.9 [0.96]	27.9 [1.10]	31.13 [1.2256]	29.634 [1.1667]	14	12/24
C6	29 [1.14]	325 [1.26]	24.42 [1.3550]	33.336 [1.3125]	21	16/32
C7	32.3 [1.27]	34.6 [1.37]	37.59 [1.460]	36.513 [1.4375]	23	16/32

Flow direction

Shaft rotation	Flow direction	
	Port "A"	Port "B"
Clockwise (CW)	Out	In
Counterclockwise (CCW)	In	Out



Splined shaft options
 (see table)



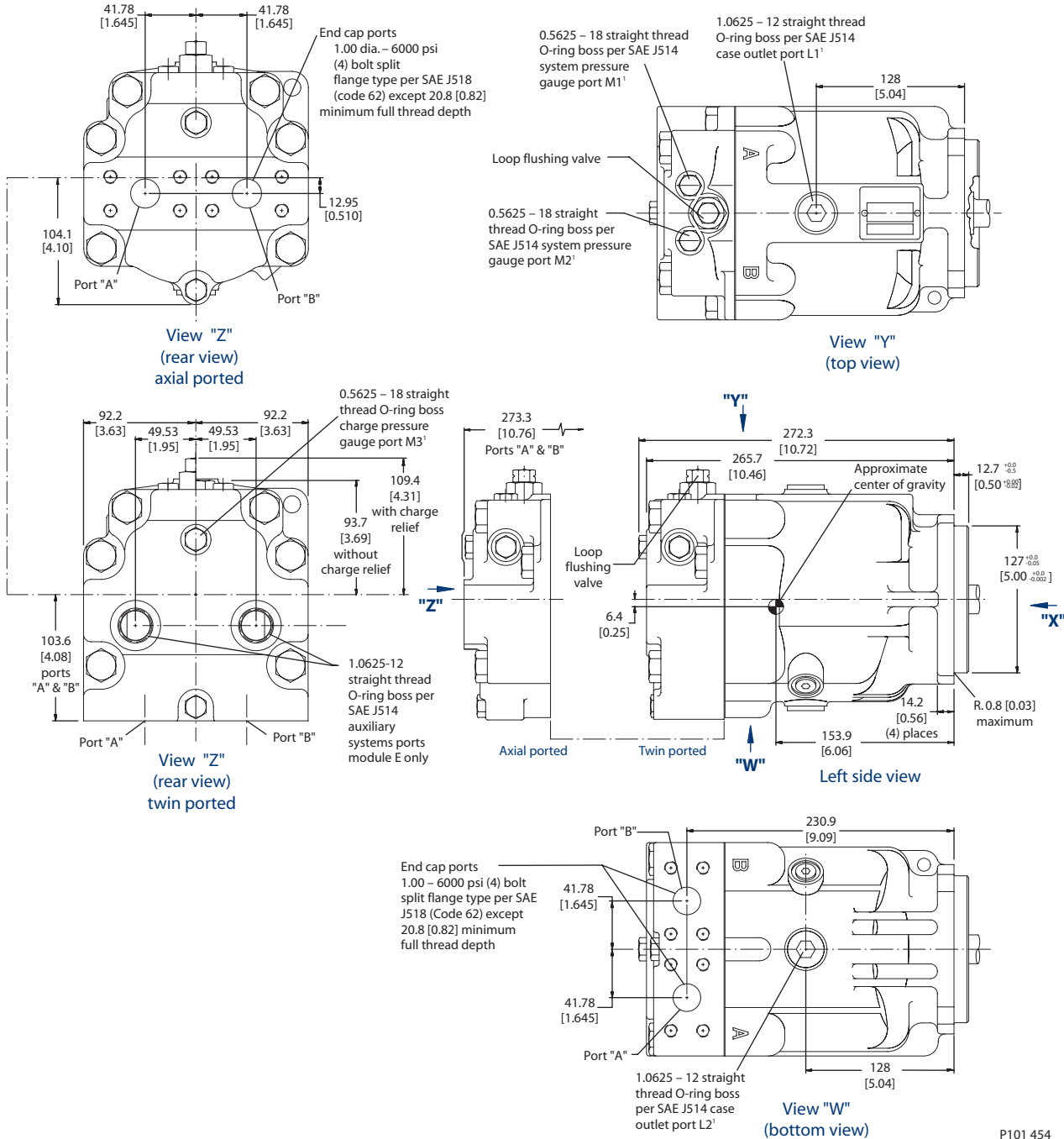
Shaft option K2
 (keyed)

P101 449

All SAE straight thread O-rings ports per SAE J1926 (fittings per SAE 514). Shaft rotation is determined by viewing motor from output shaft end. Contact your Sauer-Danfoss representative for specific installation drawings

mm
 [in]

**90M100 FIXED MOTOR
 SAE MOUNT**



P101 454

All SAE straight thread O-rings ports per SAE J1926 (fittings per SAE 514). Shaft rotation is determined by viewing motor from output shaft end. Contact your Sauer-Danfoss representative for specific installation drawings

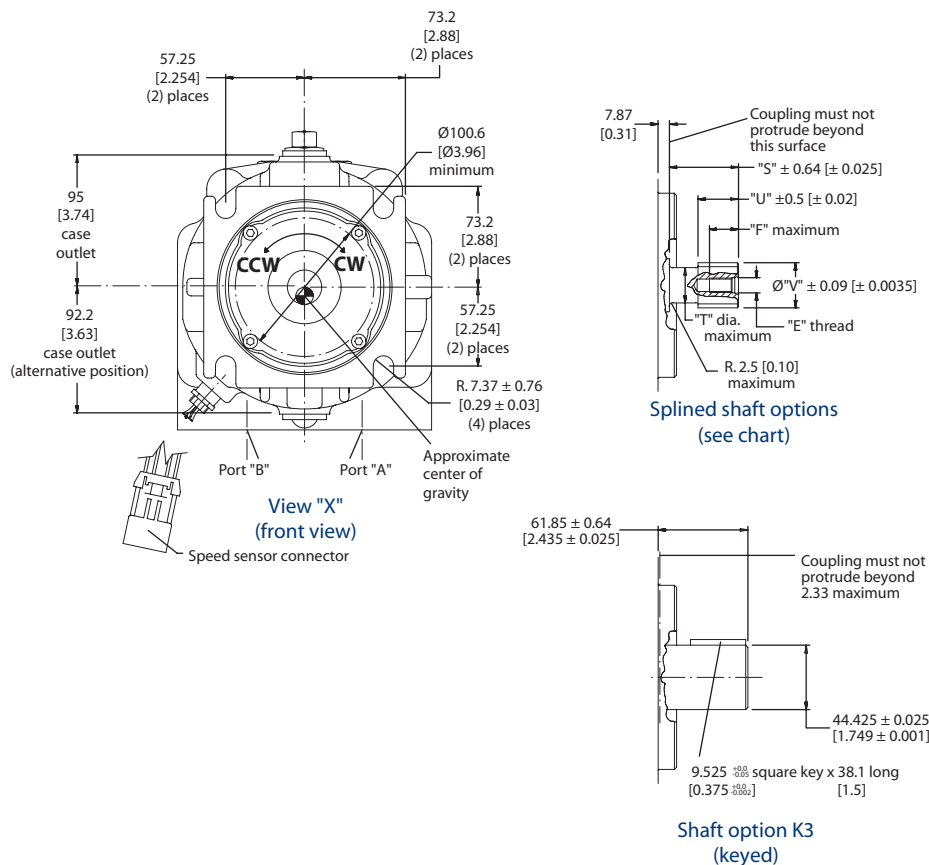
**90M100 FIXED MOTOR
 SAE MOUNT
 (continued)**

Splined output shaft options

Output shaft option	shaft diameter T	Full spline length U	Major diameter V	Pitch diameter W	Number of teeth Y	Pitch Z	Length S
S1	24.9 [0.98]	27.9 [1.10]	31.13 [1.2258]	29.634 [1.1667]	14	12/24	47.6 [1.875]
C7	32.3 [1.27]	34.8 [1.37]	37.59 [1.480]	36.513 [1.4375]	23	16/32	47.6 [1.875]
F1	34.5 [1.36]	49.5 [1.95]	43.94 [1.730]	41.275 [1.6250]	13	8/16	66.7 [2.625]
F2	34.5 [1.36]	67.1 [2.64]	43.94 [1.730]	41.275 [1.6250]	13	8/16	84.3 [3.32]

Flow direction

Shaft rotation	Flow direction	
	Port "A"	Port "B"
Clockwise (CW)	Out	In
Counterclockwise (CCW)	In	Out

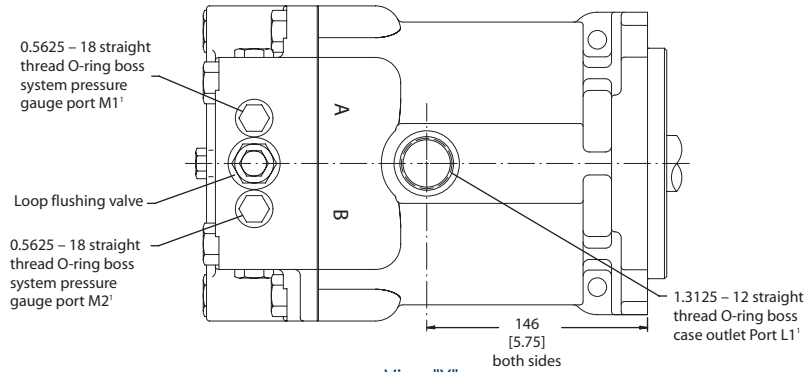


P101 455

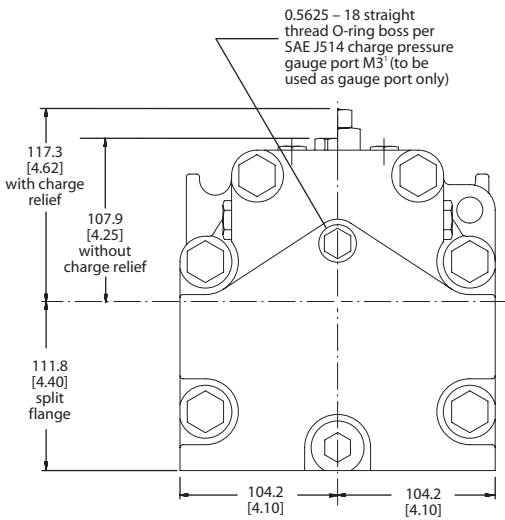
mm
 [in]

All SAE straight thread O-rings ports per SAE J1926 (fittings per SAE 514). Shaft rotation is determined by viewing motor from output shaft end. Contact your Sauer-Danfoss representative for specific installation drawings

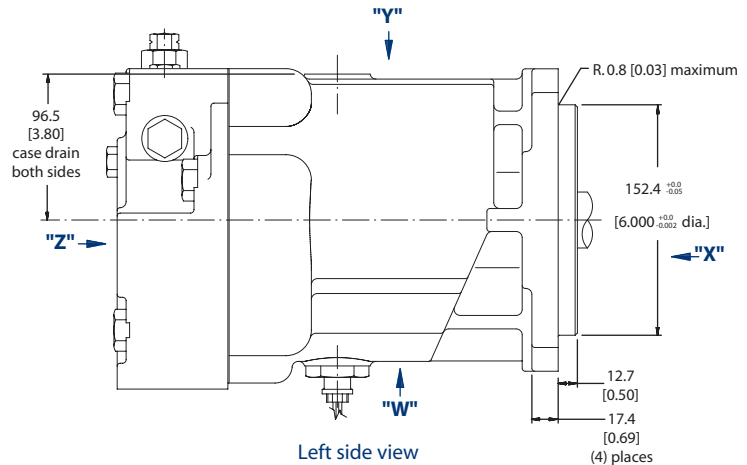
**90M130 FIXED MOTOR
 SAE MOUNT**



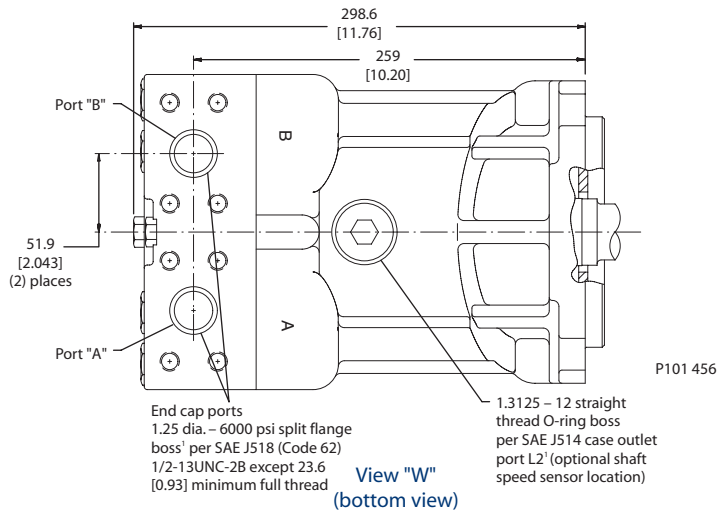
View "Y"
 (top view)



View "Z"
 (rear view)



Left side view



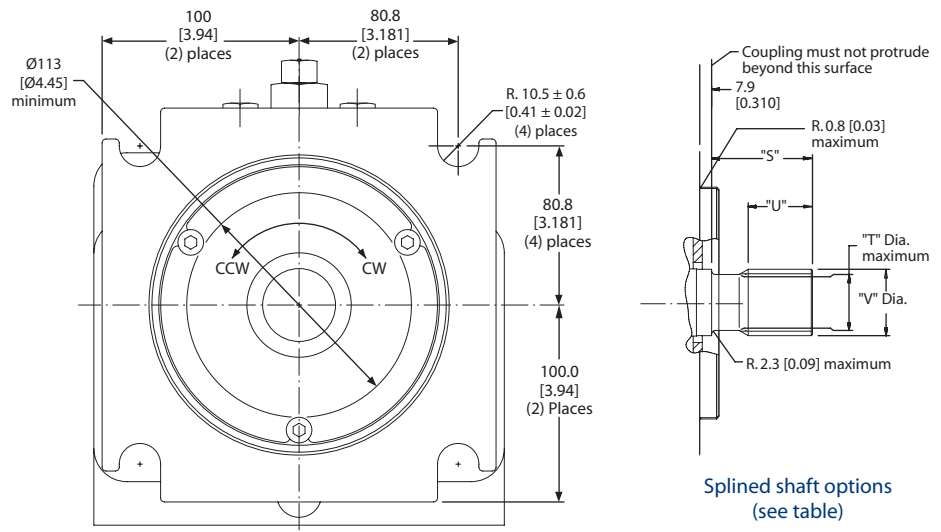
View "W"
 (bottom view)

All SAE straight thread O-rings ports per SAE J1926 (fittings per SAE 514). Shaft rotation is determined by viewing motor from output shaft end. Contact your Sauer-Danfoss representative for specific installation drawings

**90M130 FIXED MOTOR
 SAE MOUNT
 (continued)**

Splined output shaft options

Output shaft option	Shaft diameter T	Full spline length U	Major diameter V	Pitch diameter W	Number of teeth Y	Pitch Z	Length S
F1	34.5 [1.36]	42.5 [1.67]	43.94 [1.730]	41.275 [1.6250]	13	8/16	66.7 [2.625]
C8	37.5 [1.48]	42.5 [1.67]	43.94 [1.730]	42.862 [1.6875]	27	16/32	66.7 [2.625]



Splined shaft options
(see table)

P101 868

Flow direction

Shaft rotation	Flow direction	
	Port "A"	Port "B"
Clockwise (CW)	Out	In
Counterclockwise (CCW)	In	Out

mm
[in]

All SAE straight thread O-rings ports per SAE J1926 (fittings per SAE 514). Shaft rotation is determined by viewing motor from output shaft end. Contact your Sauer-Danfoss representative for specific installation drawings



Series 90 Axial Piston Motors
Technical Information
Notes



Series 90 Axial Piston Motors
Technical Information
Notes



OUR PRODUCTS

Hydrostatic transmissions
Hydraulic power steering
Electric power steering
Electrohydraulic power steering
Closed and open circuit axial piston pumps and motors
Gear pumps and motors
Bent axis motors
Orbital motors
Transit mixer drives
Proportional valves
Directional spool valves
Cartridge valves
Hydraulic integrated circuits
Hydrostatic transaxles
Integrated systems
Fan drive systems
Electrohydraulics
Microcontrollers and software
Electric motors and inverters
Joysticks and control handles
Displays
Sensors

Sauer-Danfoss Mobile Power and Control Systems – Market Leaders Worldwide

Sauer-Danfoss is a comprehensive supplier providing complete systems to the global mobile market.

Sauer-Danfoss serves markets such as agriculture, construction, road building, material handling, municipal, forestry, turf care, and many others.

We offer our customers optimum solutions for their needs and develop new products and systems in close cooperation and partnership with them.

Sauer-Danfoss specializes in integrating a full range of system components to provide vehicle designers with the most advanced total system design.

Sauer-Danfoss provides comprehensive worldwide service for its products through an extensive network of Global Service Partners strategically located in all parts of the world.

Local address:

Sauer-Danfoss (US) Company
2800 East 13th Street
Ames, IA 50010, USA
Phone: +1 515 239-6000
Fax: +1 515 239-6618

Sauer-Danfoss GmbH & Co. OHG
Postfach 2460, D-24531 Neumünster
Krokamp 35, D-24539 Neumünster, Germany
Phone: +49 4321 871-0
Fax: +49 4321 871 122

Sauer-Danfoss ApS
DK-6430 Nordborg, Denmark
Phone: +45 7488 4444
Fax: +45 7488 4400

Sauer-Danfoss-Daikin LTD
Sannomiya Grand Bldg. 8F
2-2-21 Isogami-dori, Chuo-ku
Kobe, Hyogo 651-0086, Japan
Phone: +81 78 231 5001
Fax: +81 78 231 5004

www.sauer-danfoss.com