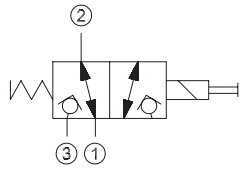
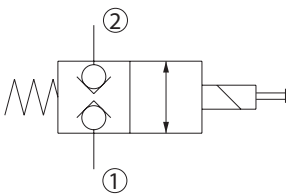
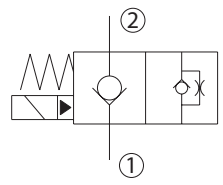
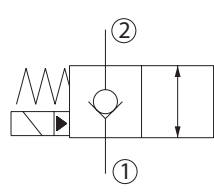
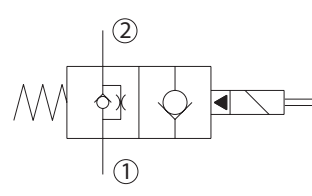


3-Way, 2-Position Poppet	Model No.	Cavity	Description	Flow*	Pressure	Page
	EVH 06/D5	NCS06/3	Solenoid Valve, Poppet Type, 3-Way, 2-Position	20 l/min [5 US gal/min]	230 bar [3300 psi]	10.16

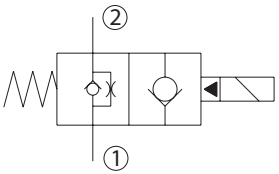
2-Way Poppet	Model No.	Cavity	Description	Flow*	Pressure	Page
	SVP08-CDB	SDC08-2	Solenoid Valve, Poppet Type, Double-Blocking,	16 l/min [4 US gal/min]	230 bar [3300 psi]	10.17
	EVK 06/C5	NCS06/2	Normally Closed	50 l/min [13 US gal/min]	210 bar [3000 psi]	10.18

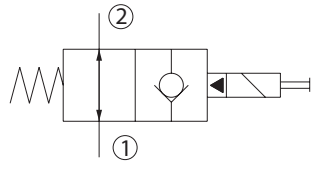
2-Way Poppet	Model No.	Cavity	Description	Flow*	Pressure	Page
	SVP08-NC	SDC08-2	Solenoid Valve, Poppet Type, Normally Closed, Pilot	35 l/min [9 US gal/min]	230 bar [3300 psi]	10.19
	SVP10-NC	SDC10-2	Operated	80 l/min [21 US gal/min]	230 bar [3300 psi]	10.20
	CP501-1	CP12-2		115 l/min [30 US gal/min]	210 bar [3000 psi]	10.21

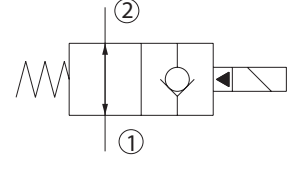
2-Way Poppet	Model No.	Cavity	Description	Flow*	Pressure	Page
	SVP08-NCR	SDC08-2	Solenoid Valve, Poppet Type, Normally Closed, Pilot	35 l/min [9 US gal/min]	230 bar [3300 psi]	10.22
	SVP10-NCR	SDC10-2	Operated with Reverse Free Flow	80 l/min [21 US gal/min]	230 bar [3300 psi]	10.23
	CP501-3	CP12-2		115 l/min [30 US gal/min]	210 bar [3000 psi]	10.24
	CP502-3	SDC16-2		130 l/min [34 US gal/min]	210 bar [3000 psi]	10.25
	CP503-3	SDC20-2		230 l/min [61 US gal/min]	210 bar [3000 psi]	10.26

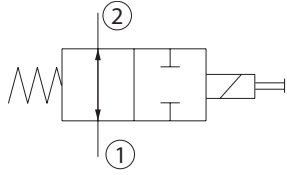
2-Way Poppet	Model No.	Cavity	Description	Flow*	Pressure	Page
	SVP08-NO	SDC08-2	Solenoid Valve, Poppet Type, Normally Open, Pilot	35 l/min [9 US gal/min]	230 bar [3300 psi]	10.27
	SVP10-NO	SDC10-2	Operated	80 l/min [21 US gal/min]	230 bar [3300 psi]	10.28

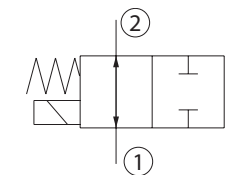
* Flow ratings are based on a pressure drop of 7 bar [100 psi] unless otherwise noted. They are for comparison purposes only.

2-Way Poppet	Model No.	Cavity	Description	Flow*	Pressure	Page
	CP501-2	CP12-2	Solenoid Valve, Poppet Type, Normally Open, Pilot Operated	115 l/min [30 US gal/min]	210 bar [3000 psi]	10.29

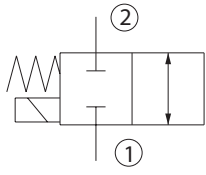
2-Way Poppet	Model No.	Cavity	Description	Flow*	Pressure	Page
	SVP08-NOR	SDC08-2	Solenoid Valve, Poppet Type, Normally Open, Pilot Operated with reverse Free Flow	35 l/min [9 US gal/min]	230 bar [3300 psi]	10.30
	SVP10-NOR	SDC10-2		80 l/min [21 US gal/min]	230 bar [3300 psi]	10.31

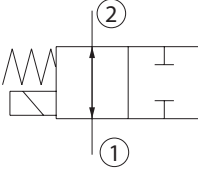
2-Way Poppet	Model No.	Cavity	Description	Flow*	Pressure	Page
	CP501-4	CP12-2	Solenoid Valve, Poppet Type, Normally Open, Pilot Operated with reverse Free Flow	115 l/min [30 US gal/min]	210 bar [3000 psi]	10.32
	CP502-4	SDC16-2		130 l/min [34 US gal/min]	210 bar [3000 psi]	10.33
	CP503-4	SDC20-2		230 l/min [61 US gal/min]	210 bar [3000 psi]	10.34

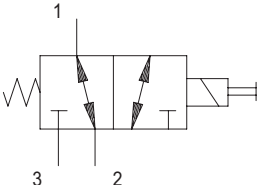
2-Way Spool	Model No.	Cavity	Description	Flow*	Pressure	Page
	SV08-22-01	SDC08-2	Solenoid Valve, Spool Type, 2-Way, 2-Position, Normally Open, Push Type	16 l/min [4 US gal/min]	230 bar [3300 psi]	10.35

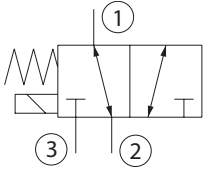
2-Way Spool	Model No.	Cavity	Description	Flow*	Pressure	Page
	SV10-22-01	SDC10-2	Solenoid Valve, Spool Type, 2-Way, 2-Position, Normally Open, Pull Type	27 l/min [7 US gal/min]	230 bar [3300 psi]	10.36

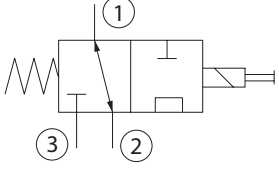
* Flow ratings are based on a pressure drop of 7 bar [100 psi] unless otherwise noted. They are for comparison purposes only.

2-Way Spool	Model No.	Cavity	Description	Flow*	Pressure	Page
	SV08-22-02	SDC08-2	Solenoid Valve, Spool Type, 2-Way, 2-Position, Normally Closed, Pull Type	14 l/min [4 US gal/min]	230 bar [3300 psi]	10.37
	SV10-22-02	SDC10-2		35 l/min [9 US gal/min]	230 bar [3300 psi]	10.38

2-Way Spool	Model No.	Cavity	Description	Flow*	Pressure	Page
	SV08-22-03	SDC08-2	Solenoid Valve, Spool Type, 2-Way, 2-Position, Normally Open, Pull Type	12 l/min [3 US gal/min]	230 bar [3300 psi]	10.39

3-Way, 2-Position Spool	Model No.	Cavity	Description	Flow*	Pressure	Page
	SV08-23-01	SDC08-3	Solenoid Valve, Spool Type, 3-Way, 2-Position	17 l/min [5 US gal/min]	230 bar [3300 psi]	10.40
	SV10-23-01	SDC10-3		28 l/min [7 US gal/min]	230 bar [3300 psi]	10.41
	CP521-21	CP12-3		60 l/min [16 US gal/min]	240 bar [3500 psi]	10.42

3-Way, 2-Position Spool	Model No.	Cavity	Description	Flow*	Pressure	Page
	SV08-23-02	SDC08-3	Solenoid Valve, Spool Type, 3-Way, 2-Position	10 l/min [3 US gal/min]	230 bar [3300 psi]	10.43
	SV10-23-02	SDC10-3		15 l/min [4 US gal/min]	230 bar [3300 psi]	10.44

3-Way, 2-Position Spool	Model No.	Cavity	Description	Flow*	Pressure	Page
	SV08-23-03	SDC08-3	Solenoid Valve, Spool Type, 3-Way, 2-Position	18 l/min [5 US gal/min]	230 bar [3300 psi]	10.45

* Flow ratings are based on a pressure drop of 7 bar [100 psi] unless otherwise noted. They are for comparison purposes only.

3-Way, 2-Position Spool	Model No.	Cavity	Description	Flow*	Pressure	Page
	SV08-23-04	SDC08-3	Solenoid Valve, Spool Type, 3-Way, 2-Position	10 l/min [3 US gal/min]	230 bar [3300 psi]	10.46
	SV10-23-04	SDC10-3		20 l/min [5 US gal/min]	230 bar [3300 psi]	10.47
4-Way, 2-Position Spool	Model No.	Cavity	Description	Flow*	Pressure	Page
	SV08-24-01	SDC08-4	Solenoid Valve, Spool Type, 4-Way, 2-Position	8 l/min [2 US gal/min]	230 bar [3300 psi]	10.48
	SV10-24-01	SDC10-4		15 l/min [4 US gal/min]	230 bar [3300 psi]	10.49
4-Way, 2-Position Spool	Model No.	Cavity	Description	Flow*	Pressure	Page
	SV08-24-02	SDC08-4	Solenoid Valve, Spool Type, 4-Way, 2-Position	10 l/min [3 US gal/min]	230 bar [3300 psi]	10.50
4-Way, 2-Position Spool	Model No.	Cavity	Description	Flow*	Pressure	Page
	SV08-24-04	SDC08-4	Solenoid Valve, Spool Type, 4-Way, 2-Position	8 l/min [2 US gal/min]	230 bar [3300 psi]	10.51
4-Way, 2-Position Spool	Model No.	Cavity	Description	Flow*	Pressure	Page
	SV10-24-12	SDC10-4	Solenoid Valve, Spool Type, 4-Way, 2-Position	18 l/min [5 US gal/min]	230 bar [3300 psi]	10.52

* Flow ratings are based on a pressure drop of 7 bar [100 psi] unless otherwise noted. They are for comparison purposes only.

4-Way, 2-Position Spool	Model No.	Cavity	Description	Flow*	Pressure	Page
	SV10-24-05	SDC10-4	Solenoid Valve, Spool Type, 4-Way, 2-Position	25 l/min [7 US gal/min]	230 bar [3300 psi]	10.53

4-Way, 2-Position Spool	Model No.	Cavity	Description	Flow*	Pressure	Page
	SV10-24-07	SDC10-4	Solenoid Valve, Spool Type, 4-Way, 2-Position	24 l/min [6 US gal/min]	230 bar [3300 psi]	10.54

4-Way, 2-Position Spool	Model No.	Cavity	Description	Flow*	Pressure	Page
	SV08-24-08	SDC08-4	Solenoid Valve, Spool Type, 4-Way, 2-Position	24 l/min [6 US gal/min]	230 bar [3300 psi]	10.55

4-Way, 2-Position Spool	Model No.	Cavity	Description	Flow*	Pressure	Page
	CP531-21	CP12-4	Solenoid Valve, Spool Type, 4-Way, 2-Position	32 l/min [8 US gal/min]	240 bar [3500 psi]	10.56

4-Way, 2-Position Spool	Model No.	Cavity	Description	Flow*	Pressure	Page
	SV10-24-13	SDC10-4	Solenoid Valve, Spool Type, 4-Way, 2-Position	21 l/min [6 US gal/min]	230 bar [3300 psi]	10.57

* Flow ratings are based on a pressure drop of 7 bar [100 psi] unless otherwise noted. They are for comparison purposes only.

4-Way, 3-Position Spool	Model No.	Cavity	Description	Flow*	Pressure	Page
	SV08-34-02	SDC08-4	Solenoid Valve, Spool Type, 4-Way, 3-Position	10 l/min [2 US gal/min]	230 bar [3300 psi]	10.58
	SV10-34-02	SDC10-4		20 l/min [6 US gal/min]	230 bar [3300 psi]	10.59

4-Way, 3-Position Spool	Model No.	Cavity	Description	Flow*	Pressure	Page
	SV08-34-03	SDC08-4	Solenoid Valve, Spool Type, 4-Way, 3-Position	8 l/min [2 US gal/min]	230 bar [3300 psi]	10.60

4-Way, 3-Position Spool	Model No.	Cavity	Description	Flow*	Pressure	Page
	SV10-34-03	SDC10-4	Solenoid Valve, Spool Type, 4-Way, 3-Position	16 l/min [4 US gal/min]	230 bar [3300 psi]	10.61

4-Way, 3-Position Spool	Model No.	Cavity	Description	Flow*	Pressure	Page
	SV08-34-04	SDC08-4	Solenoid Valve, Spool Type, 4-Way, 3-Position	6 l/min [2 US gal/min]	230 bar [3300 psi]	10.62

4-Way, 3-Position Spool	Model No.	Cavity	Description	Flow*	Pressure	Page
	SV10-34-04	SDC10-4	Solenoid Valve, Spool Type, 4-Way, 3-Position	15 l/min [4 US gal/min]	230 bar [3300 psi]	10.63

* Flow ratings are based on a pressure drop of 7 bar [100 psi] unless otherwise noted. They are for comparison purposes only.

4-Way, 3-Position Spool	Model No.	Cavity	Description	Flow*	Pressure	Page
	SV08-34-05	SDC08-4	Solenoid Valve, Spool Type, 4-Way, 3-Position	10 l/min [2 US gal/min]	230 bar [3300 psi]	10.64
	SV10-34-05	SDC10-4		20 l/min [6 US gal/min]	230 bar [3300 psi]	10.65

4-Way, 3-Position Spool	Model No.	Cavity	Description	Flow*	Pressure	Page
	SV10-34-11	SDC10-4	Solenoid Valve, Spool Type, 4-Way, 3-Position	24 l/min [6 US gal/min]	230 bar [3300 psi]	10.66

* Flow ratings are based on a pressure drop of 7 bar [100 psi] unless otherwise noted. They are for comparison purposes only.

SOLENOID VALVES

Solenoid valves are electrically-operated, on-off poppet or spool-type valves for load holding, blocking, or directional control applications.

Solenoid valves



PLUS+1™ COMPLIANT

Comatrol solenoid valves are PLUS+1™ compliant. PLUS+1 compliance means our valves are directly compatible with the PLUS+1 machine control architecture. Adding solenoid valves to your application using PLUS+1 GUIDE software is as easy as *drag-and-drop*. Software development that used to take months can now be done in just a few hours. For more information on PLUS+1 GUIDE, visit www.comatrol.com or www.sauer-danfoss.com/plus1. The table below details available GUIDE function blocks for controlling Comatrol solenoid valves.

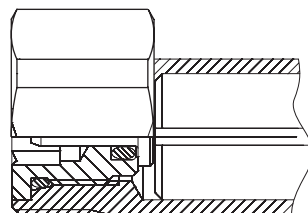
GUIDE function blocks

On-off	10106088
On-off-on	10106102

SV AND SVP COIL OPTIONS

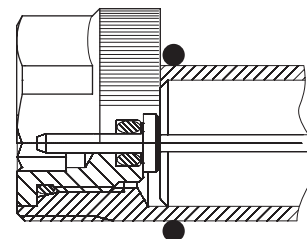
All SV and SVP valves may be ordered with a robust coil option. The robust coil option uses a steel nut and does not use O-rings on the top and bottom of the coil. The standard coil option uses a plastic nut with one O-ring on the top of the coil and one O-ring on the bottom of the coil.

Robust Coil Nut



No O-rings needed
 Torque is same as standard nut

Standard Coil Nut



Standard Coil Nut Kit includes O-rings

P108 282E

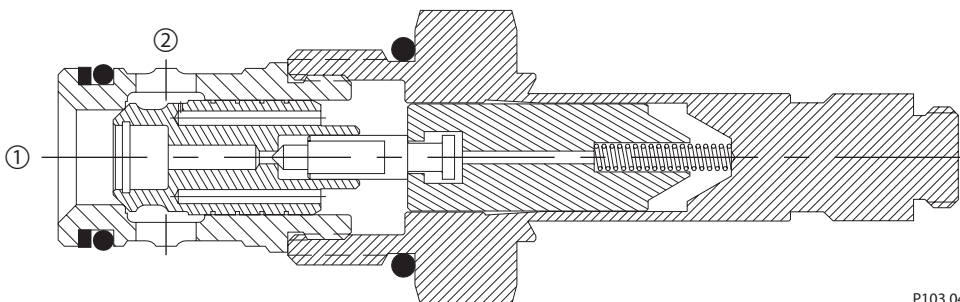
POPPET-TYPE SOLENOID VALVES

Poppet-type solenoid valves are two-way, normally open or normally-closed valves.

Normally-closed

Normally-closed poppet valves block flow from 2 to 1 when de-energized. When the solenoid coil is energized, magnetic force lifts the small pilot dart from its seat, creating a pressure differential across the main poppet that provides the force to lift the main poppet off its seat. Models with free-reverse-flow also act as a low-pressure, free-flow check valve from 1 to 2 when energized; standard models provide an orifice-connection to 2 when pressure is applied at 1.

Normally closed poppet-type solenoid valve

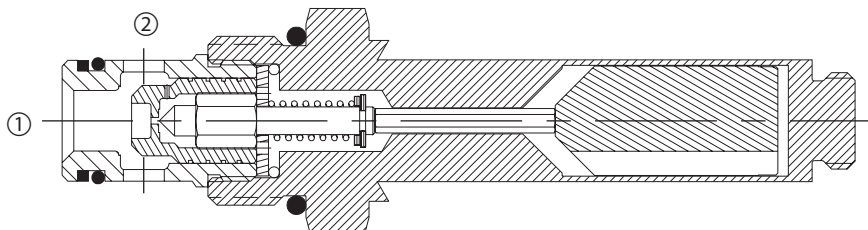


P103 043

Normally-open

Normally-open poppet valves provide free flow from 2 to 1 when de-energized. When the solenoid coil is energized, magnetic force seats the small pilot dart, creating a pressure differential that provides the force to seat the main poppet and block flow. Models with free-reverse flow also act as a low-pressure, free-flow check valve from 1 to 2 when de-energized; standard models provide an orifice-connection to 2 when pressure is applied at 1.

Normally open poppet-type solenoid valve



P103 044

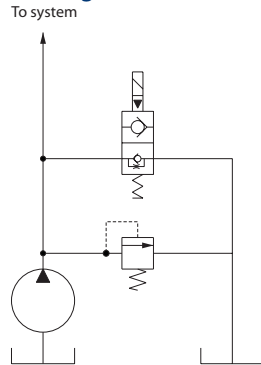
POPPET-TYPE SOLENOID VALVES (continued)

Applications

Common applications for normally-open and normally-closed poppet valves include:

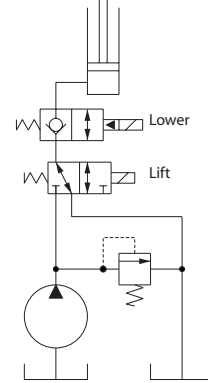
- Load holding and lowering with single-acting cylinders.
- Unloading of a fixed-displacement pump.
- Use in combination to duplicate four-way, three-position valve functions. These circuits create low-cost, compact alternatives to subplate- or stack-type directional control valves. As an added advantage these poppet valve circuits do not need load holding checks as the poppets provide the same low-leakage function.

Pump unloading



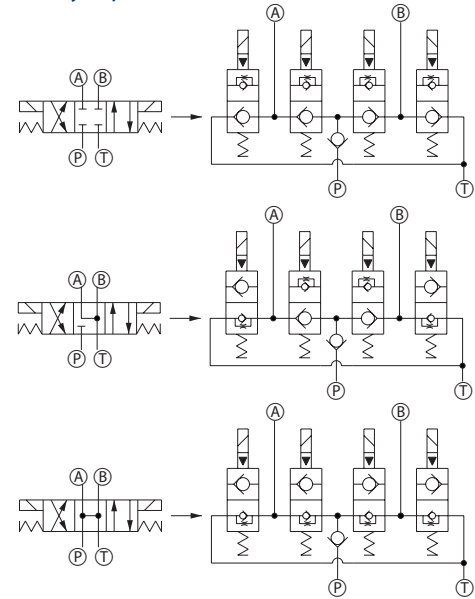
P103 103E

Lift, hold, & lower single acting cylinder



P103 102E

4-way 3-position directional valve circuits



P103 104

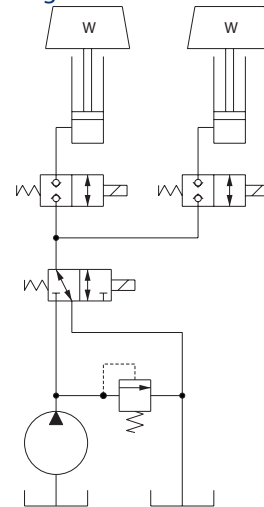
BI-DIRECTIONAL POPPET-TYPE SOLENOID VALVES

Bi-directional poppet-type solenoid valves are two-way, normally open or normally-closed valves. The poppets are pressure-balanced so that the spring holds the poppet in its de-energized position. When the solenoid coil is energized, magnetic force overcomes the spring and causes the poppet to shift.

Normally-closed

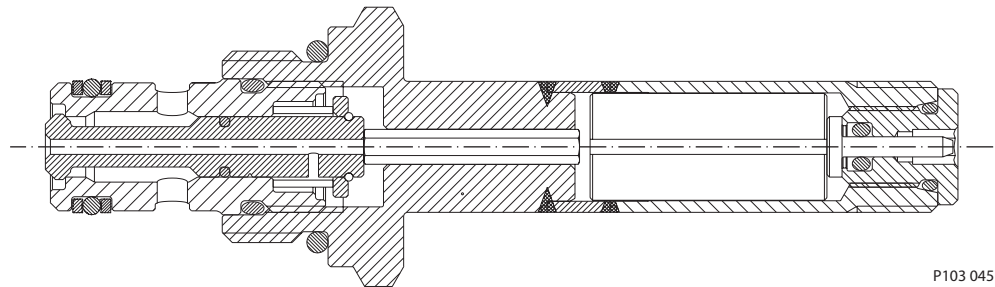
Normally-closed bi-directional poppet valves block flow in both directions when de-energized and allow free-flow when energized. These valves are typically used as directional controls for single-acting cylinders or uni-directional motors where low-leakage load holding is required, or where multiple functions must be separated.

Independent cylinder operation and load-holding



P103 105

Normally closed bi-directional poppet-type solenoid valve



P103 045

SPOOL-TYPE SOLENOID VALVES

Spool-type valves are available in 2-way 2-position, 3-way 2-position, 4-way 2-position, and 4-way 3 position configurations. For all these valves the spools are pressure-balanced and are held in position by a spring when de-energized. When the solenoid coil is energized, magnetic force overcomes the spring and shifts the spool. As the spool moves, flow forces, also known as Bernoulli forces, act on the spool and can prevent proper operation. These forces are a function of pressure and flow, and the catalog ratings show the operating limits for each valve. These limits are based on the valve's ability to shift at 85% of nominal voltage at 140°F ambient temperature. For this reason flow and pressure ratings for solenoid spool valves should not be exceeded.

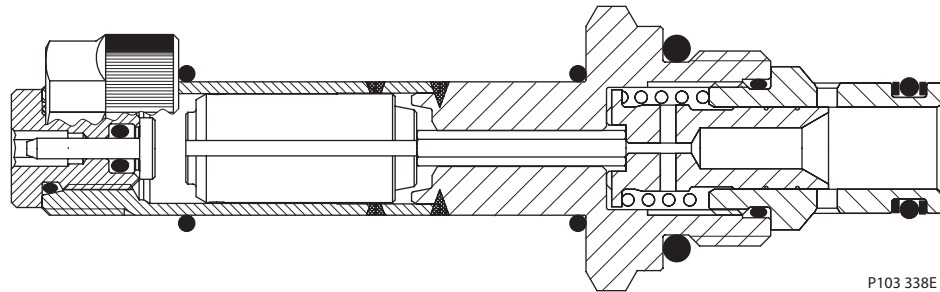
Consult your Comatrol representative for extreme applications.

SPOOL-TYPE SOLENOID VALVES (continued)

Two-way, two-position

Two-way, two-position spool-type valves are either normally open or normally closed.

Two-way, two-position spool-type solenoid valve

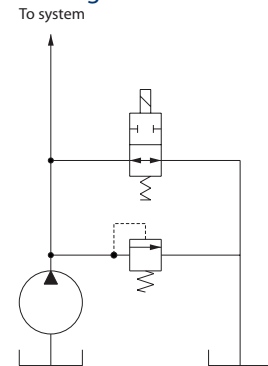


P103 338E

Common applications for two-way, two-position spool type solenoid valves are:

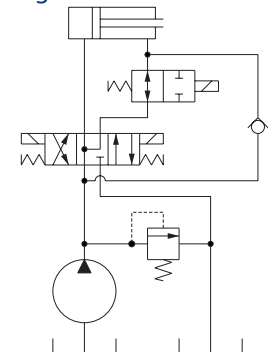
- Unloading of a fixed-displacement pump.
- Cylinder regeneration. When the two-way two-position spool valve is energized the cylinder circuit is in regeneration mode for faster cylinder extension.
- Two-speed motor (or cylinder) operation. By using multiple valves and circuit logic, similar circuits can be used for three-speed, four-speed, etc.

Pump unloading



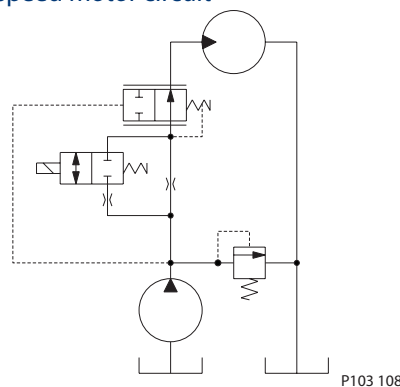
P103 106E

Cylinder regeneration circuit



Energize 2-way spool valve for faster extension P103 107

Two-speed motor circuit



P103 108

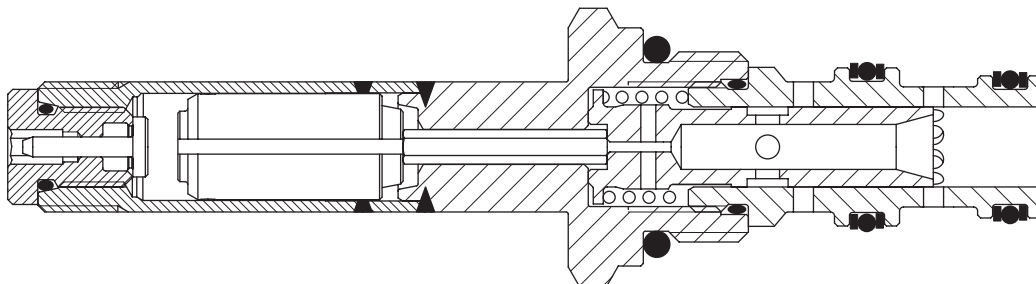
SPOOL-TYPE SOLENOID VALVES (continued)

Three-way, two-position

Three-way, two-position spool-type valves are available with a variety of porting and flow paths.

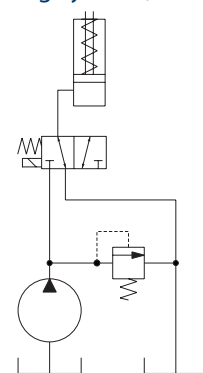
Common applications for three-way, two-position spool type solenoid valves:

Three-way, two-position spool-type solenoid valves



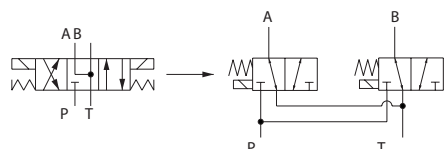
Single acting cylinder, clutch, or brake

- Control of a single-acting cylinder, clutch, or brake.
- Circuit selector
- Pilot control for a large directional spool.
- Use in combination to duplicate four-way, three-position valve functions, creating low-cost, compact alternatives to subplate- or stack-type directional control valves.



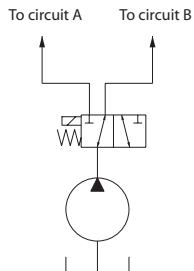
P103 109

4-way 3-position directional valve circuits



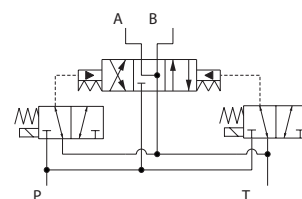
P103 112

Selector circuit



P103 110E

Pilot for directional valve



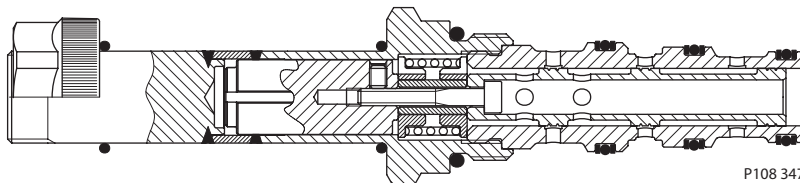
P103 111

SPOOL-TYPE SOLENOID VALVES (continued)

Four-way, two-position

Four-way, two-position spool-type valves are available with normally-open, normally-closed, reversing, and single-acting spool options.

Four-way, two-position spool-type solenoid valves

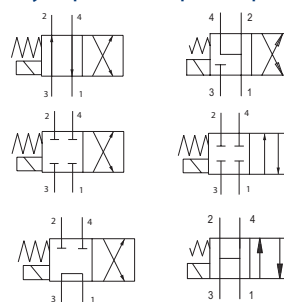


P108 347E

Common applications for four-way, two-position spool type solenoid valves are:

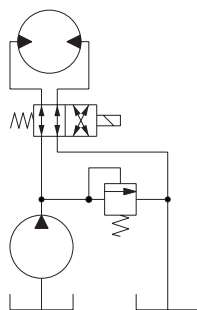
- Directional control for motors or cylinders.
- Use in combination to duplicate four-way, three-position valve functions, creating low-cost, compact alternatives to subplate- or stack-type directional control valves.

4-way 2-position spool options



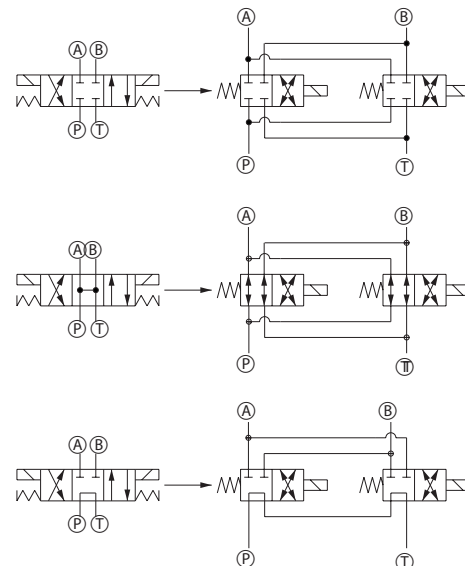
P103 113

Motor directional control



P103 114

4-way 3-position directional valve circuits



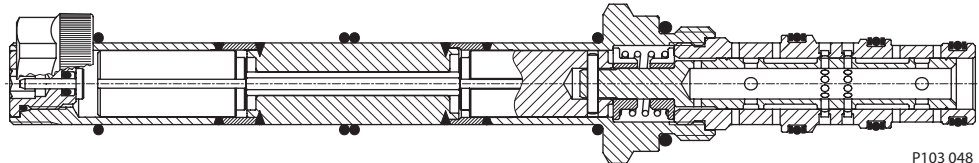
P103 115

SPOOL-TYPE SOLENOID VALVES (continued)

Four-way, three-position

Four-way, three-position spool-type valves are available with normally-open, normally-closed, motor, and tandem spools.

Four-way, three-position spool-type solenoid valve

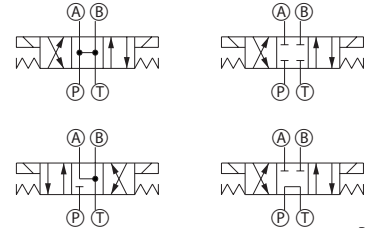


P103 048

These valves are typically used for directional control for motor or cylinder functions.

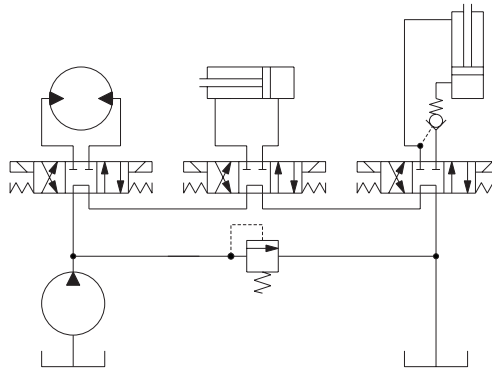
Typical series (or open-center) and parallel (or closed-center) circuits are shown below.

4-way 3-position spool options



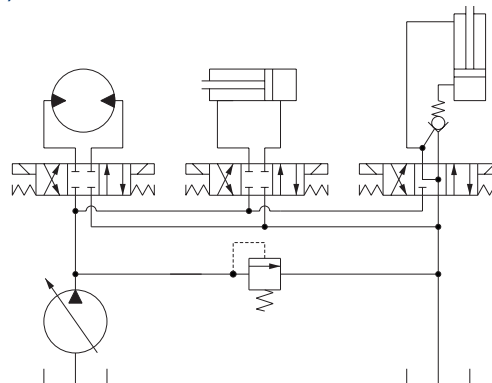
P103 116

Series (open-center) circuit



P103 117

Parallel (closed-center) circuit



P103 118

OPERATION

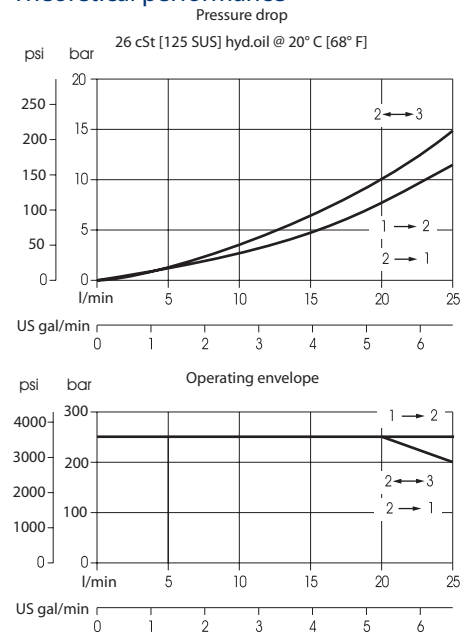
This is a direct-acting, 2-position, 3-way, poppet-type solenoid valve.

SPECIFICATIONS

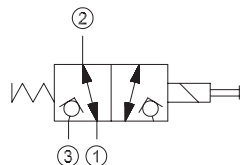
Specifications

Rated pressure	230 bar [3300 psi]
Rated flow at 7 bar [100 psi]	20 l/min [5 US gal/min]
Weight	0.44 kg [0.97 lb]
Cavity	NCS06/3
Standard Coil	M16 26 Watt
Robust Coil	R16 20 Watt Robust Nut P/N 173804910 (no coil O-rings needed)

Theoretical performance



Schematic



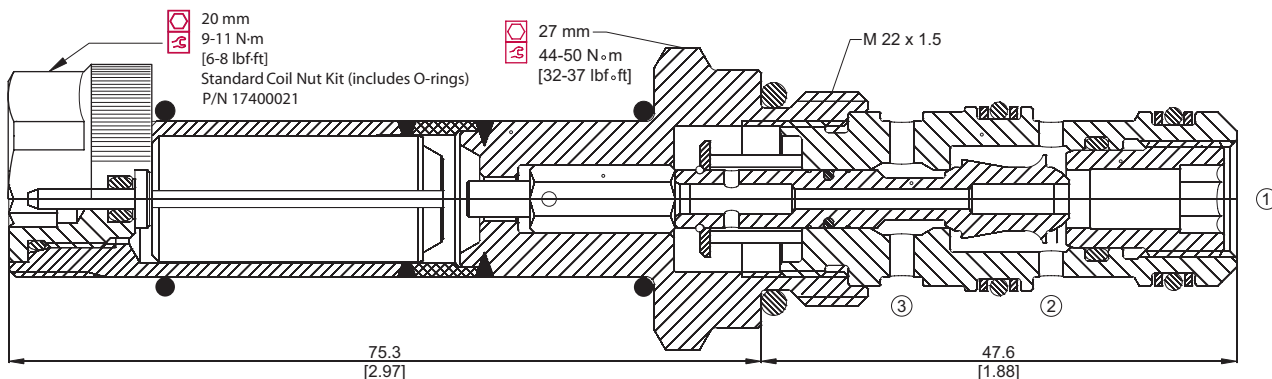
P103 536

P103 616E

DIMENSIONS

mm [in]

Cross-sectional view



P103 611

ORDERING INFORMATION

EVH 06/D5-12D-DN-00-V

Coil voltage
00 = No Coil
12D = 12 VDC (Standard Coil)
24D = 24 VDC (Standard Coil)
R12D = 12 VDC (R-Coil)
R24D = 24 VDC (R-Coil)
Coil termination:
00 = No Coil
FL = Flying Lead
AJ = Amp Junior *
DN = DIN 43650 *
DE = Deutsch
AS = AMP SuperSeal 1.5 and Metri-Pack 150 type 1

Seals
Omit = Buna
V = Viton

Seal kit
230000110
230000070

Body and ports
00 = Cartridge only
SE3/8 = Al, 3/8 BSP
SE1/2 = Al, 1/2 BSP
SE6S = Al, #6 SAE
SE8S = Al, #8 SAE
Other housings available

Body Nomenclature
No Body
NCS06/3-SE-3/8
NCS06/3-SE-1/2
NCS06/3-SE-6S
NCS06/3-SE-8S

P103 619E

* These terminations are not available on robust coil (R12D, R24D)

OPERATION

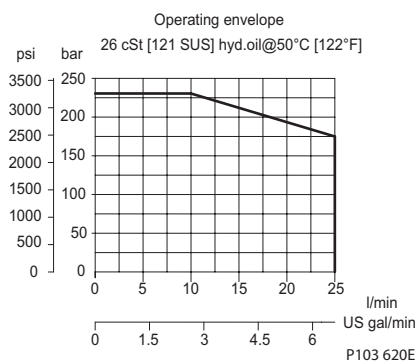
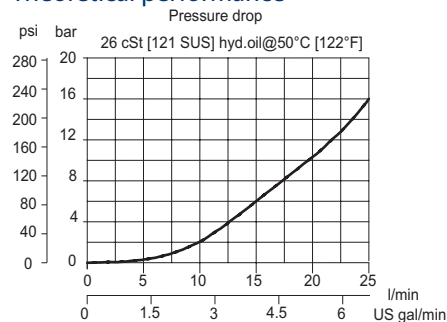
This is a normally-closed, double-blocking poppet-type solenoid valve.

SPECIFICATIONS

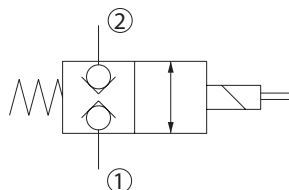
Specifications

Rated pressure	230 bar [3300 psi]
Rated flow at 7 bar [100 psi]	16 l/min [4 US gal/min]
Leakage	6 drops/min @ Rated pressure
Weight	0.32 kg [0.71 lb]
Cavity	SDC08-2
Standard Coil	M13 20 Watt
Robust Coil	R13 16 Watt Robust Nut P/N 173804910 (no coil O-rings needed)

Theoretical performance



Schematic



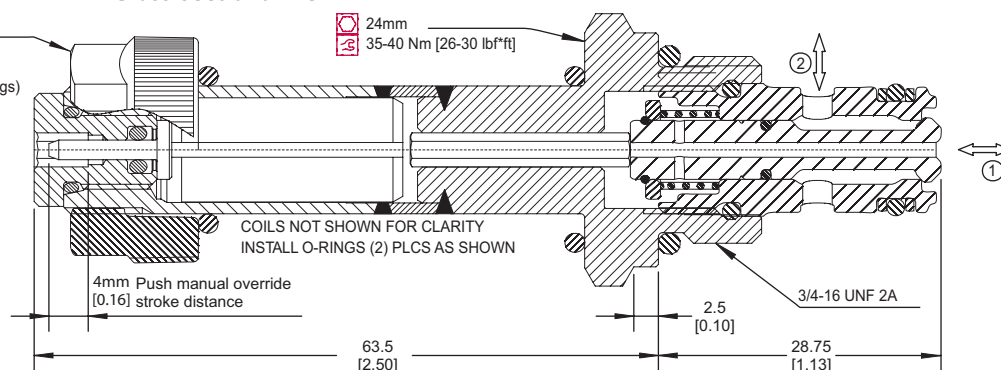
P102 716

DIMENSIONS

mm [in]

20mm
4-6 Nm [35-53 lbf*in]
Standard KIT (Includes O-rings)
P/N 173800588

Cross-sectional view



P103 488

ORDERING INFORMATION

SVP08-CDB-12D-DN-B-F-00

Coil voltage
00 = No Coil
12D = 12 VDC (Standard Coil)
24D = 24 VDC (Standard Coil)
R12D = 12 VDC (R-Coil)
R24D = 24 VDC (R-Coil)
Coil termination:
00 = No Coil
FL = Flying Lead
DN = DIN 43650 *
DE = Deutsch
AJ = Amp Junior *
SP = Spade *

AS = AMP SuperSeal 1.5 and Metri-Pack 150 type 1
*These terminations are not available on robust coil (R12D, R24D)

Body and Ports
Omit = Cartridge only
4S = Al, #4 SAE
6S = Al, #6 SAE
DG2B = Al, 1/4 BSP
DG3B = Al, 3/8 BSP
Other housings available
Filter
Omit = No Filter
F = Filter 300 µm

Seals Seal Kit
B = Buna-N seals 354001619
V = Viton seals 354001719

Body Nomenclature
No Body
CP08-2-4S
CP08-2-6S
SDC08-2-DG2B
SDC08-2-DG3B

P103 545E

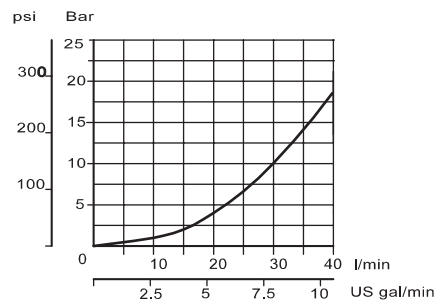
Solenoid valves
SVP08-CDB

OPERATION

This is a normally-closed, double-blocking poppet-type solenoid valve.

Theoretical performance

Pressure drop
26 cSt [121 SUS] hyd.oil at 50°C [122 °F]

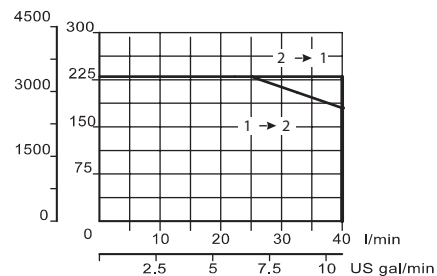


SPECIFICATIONS

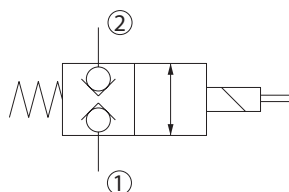
Specifications

Rated pressure	210 bar [3000 psi]
Rated flow at 7 bar [100 psi]	50 l/min [13 US gal/min]
Weight	0.43 kg [0.95 lb]
Cavity	NCS06/2
Standard Coil	M16 26 Watt
Robust Coil	R16 20 Watt Robust Nut P/N 173804910 (no coil O-rings needed)

Operating envelope
26 cSt [121 SUS] hyd.oil at 50°C [122 °F]



Schematic



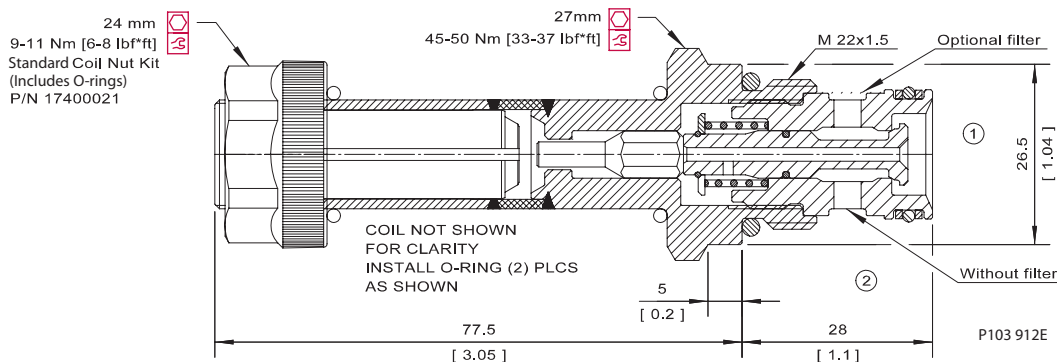
P102 716

P103 861E

DIMENSIONS

mm [in]

Cross-sectional view



ORDERING INFORMATION

EVK 06/C5-F-12D-DN-00-V

Filter	Seals	Seal kit	Body Nomenclature
Omit = No Filter	Omit = Buna	230000440	
F = Filter 300 µm	V = Viton	230000710	No Body
Coil voltage	Body and ports		NCS06/2-DG-3/8
00 = No Coil	00 = Cartridge only		NCS06/2-DG-1/2
12D = 12 VDC (Standard Coil)	DG3/8 = Al, 3/8 BSP		NCS06/2-DG-6S
24D = 24 VDC (Standard Coil)	DG1/2 = Al, 1/2 BSP		NCS06/2-DG-8S
R12D = 12 VDC (R-Coil)	DG6S = Al, #6 SAE		
R24D = 24 VDC (R-Coil)	DG8S = Al, #8 SAE		
Coil termination:	Other housings available		
00 = No Coil			
FL = Flying Lead			
AJ = Amp Junior *			
DN = DIN 43650 *			
AS = AMP SuperSeal 1.5 and Metri-Pack 150 type 1			
DE = Deutsch			

P103 850E

*These terminations are not available on robust coil (R12D, R24D)

Solenoid valves
EVK 06/C5

OPERATION

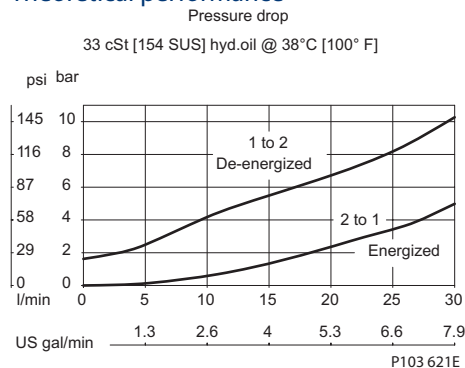
This is a normally-closed, pilot-operated, poppet-type solenoid valve.

SPECIFICATIONS

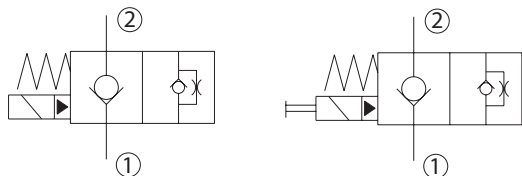
Specifications

Rated pressure	230 bar [3300 psi]
Maximum flow at rated pressure	35 l/min [9 US gal/min]
Leakage	6 drops/min @ Rated pressure
Weight	0.23 kg [0.51 lb]
Cavity	SDC08-2
Standard Coil	M13 20 Watt
Robust Coil	R13 16 Watt Robust Nut P/N 173804910 (no coil O-rings needed)

Theoretical performance



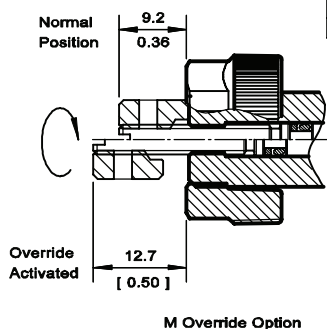
Schematic



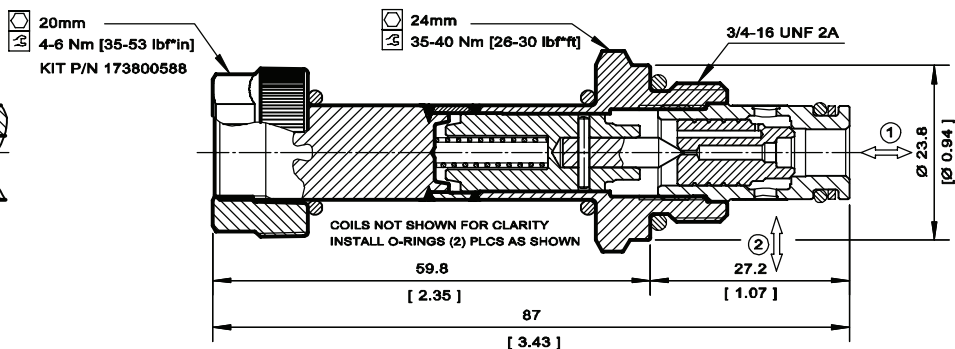
P102 384

DIMENSIONS

mm [in]



Cross-sectional view



ORDERING INFORMATION

SVP08-NC-12D-DN-M-B-F-00

Coil voltage:	00 = No Coil 12D = 12VDC (Standard Coil) 24D = 24VDC (Standard Coil) R12D = 12VDC (R-Coil) R24D = 24VDC (R-Coil)	Body and ports:	00 = Cartridge only DG2B = Al, 1/4 BSP DG3B = Al, 3/8 BSP 4S = Al, #4 SAE 6S = Al, #6 SAE Other housings available	Body Nomenclature	No Body SDC08-2-DG-2B SDC08-2-DG-3B CP08-2-4S CP08-2-6S
Coil termination:	00 = No Coil FL = Flying Lead DN = DIN 43650 * DE = Deutsch AJ = Amp Junior * SP = Spade * AS = AMP SuperSeal 1.5 and Metri-Pack 150 type 1	Filter:	Omit = No Filter F = Filter 300 mm	Seals:	Seal kit B = Buna-n 35400011 V = Viton 35400021
		Override Type:	Omit = No Override		

OPERATION

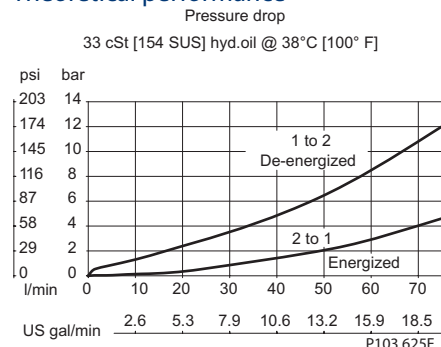
This is a normally-closed, pilot-operated, poppet-type solenoid valve.

SPECIFICATIONS

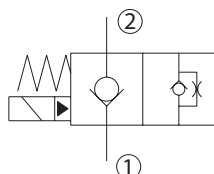
Specifications

Rated pressure	230 bar [3300 psi]
Rated flow at 7 bar [100 psi]	80 l/min [21 US gal/min]
Leakage	6 drops/min @ Rated pressure
Weight	0.43 kg [0.95 lb]
Cavity	SDC10-2
Standard Coil	M16 26 Watt
Robust Coil	R16 20 Watt Robust Nut P/N 173804910 (no coil O-rings needed)

Theoretical performance



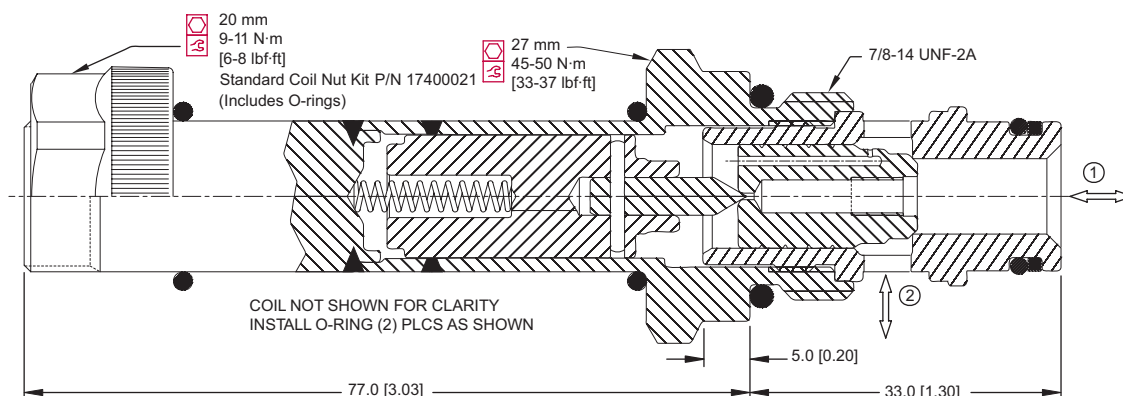
Schematic



DIMENSIONS

mm [in]

Cross-sectional view



P103 491

ORDERING INFORMATION

SVP10-NC-12D-DN-B-F-00

- Coil voltage
 - 00 = No Coil
 - 12D = 12 VDC (Standard Coil)
 - 24D = 24 VDC (Standard Coil)
 - R12D = 12 VDC (R-Coil)
 - R24D = 24 VDC (R-Coil)
 - Coil termination:
 - 00 = No Coil
 - FL = Flying Lead
 - DN = DIN 43650 *
 - DE = Deutsch
 - AJ = Amp Junior *
 - SP = Spade *
 - AS = AMP SuperSeal 1.5 and Metri-Pack 150 type 1
- * These terminations are not available on robust coil (R12D, R24D)

- Body and ports
 - 00 = Cartridge only
 - DG3B = Al, 3/8 BSP
 - DG4B = Al, 1/2 BSP
 - 6S = Al, #6 SAE
 - 8S = Al, #8 SAE
 - Other housings available
- Filter
 - Omit = No Filter
 - F = Filter 300 µm
- Seals
 - B = Buna-N
 - V = Viton
- Seals kit
 - 354000719
 - 354000819

- Body Nomenclature
 - No Body
 - SDC10-2-DG-3B
 - SDC10-2-DG-4B
 - CP10-2-6S
 - CP10-2-8S

P103 548E

OPERATION

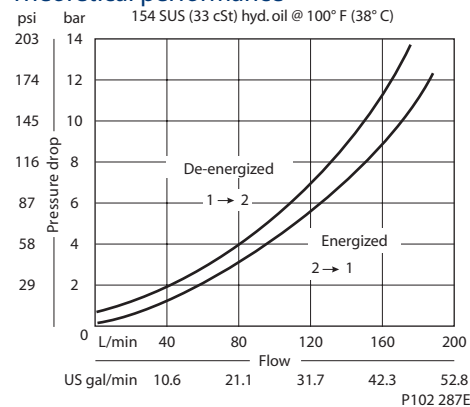
This valve is a normally closed, pilot operated, poppet type solenoid.

SPECIFICATIONS

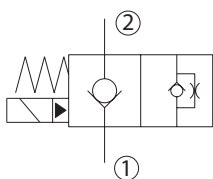
Specifications

Rated pressure	210 bar [3000 psi]
Rated flow at 7 bar [100 psi]	115 l/min [30 US gal/min]
Leakage	6 drops/min @ Rated pressure
Weight	0.53 kg [1.16 lb]
Cavity	CP12-2
Standard Coil	D10 16 Watt
Coil nut	620186

Theoretical performance



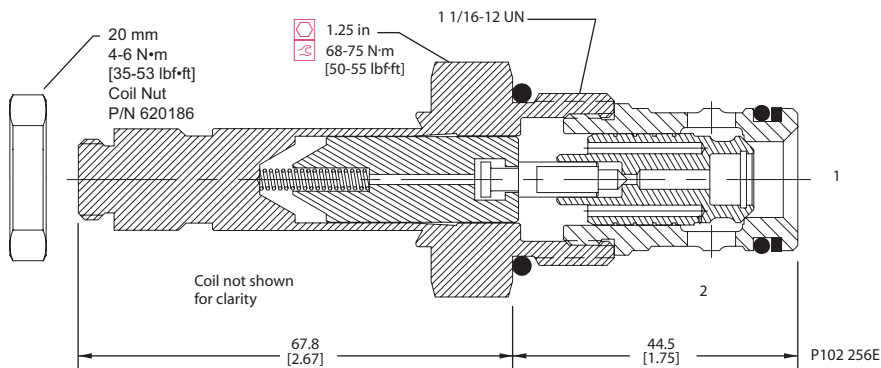
Schematic



DIMENSIONS

mm [in]

Cross-sectional view



ORDERING INFORMATION

CP501 - 1 - B - 12S - 24D - S

<p>Seals B = Buna-N V = Viton</p>	<p>Seal kit 120265 120264</p>	<p>Termination 0 = No connector S = Spade L = Lead H = DIN 43650 DE = Deutsch M2 = Metri-Pak 150 Type 1</p>
<p>Housing and ports 0 = No Housing 4B = AL, 1/2 BSP 6B = AL, 3/4 BSP 10S = AL, #10 SAE 12S = AL, #12 SAE Other housings available</p>	<p>Housing P/N No Housing CP12-2-4B CP12-2-6B CP12-2-10S CP12-2-12S</p>	<p>Voltage 000 = No coil 12D = 12 VDC 24D = 24 VDC</p>

Solenoid valves
CP501-1

OPERATION

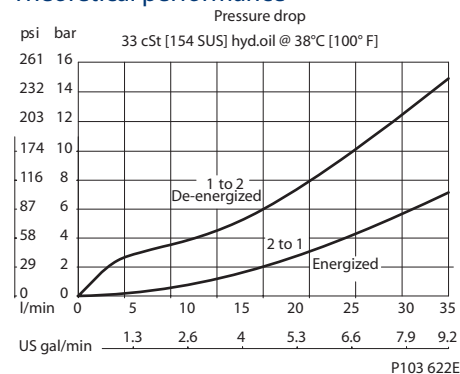
This is a normally-closed, pilot-operated, poppet-type solenoid valve with free reverse flow.

SPECIFICATIONS

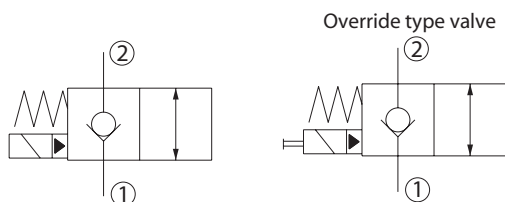
Specifications

Rated pressure	230 bar [3300 psi]
Maximum flow at rated pressure	35 l/min [9 US gal/min]
Leakage	6 drops/min @ Rated pressure
Weight	0.23 kg [0.51 lb]
Cavity	SDC08-2
Standard Coil	M13 20 Watt
Robust Coil	R13 16 Watt Robust Nut P/N 173804910 (no coil O-rings needed)

Theoretical performance



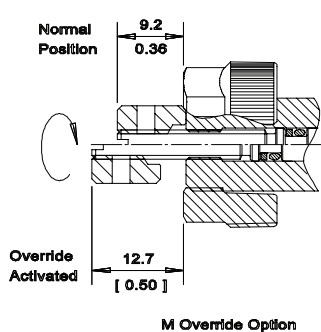
Schematic



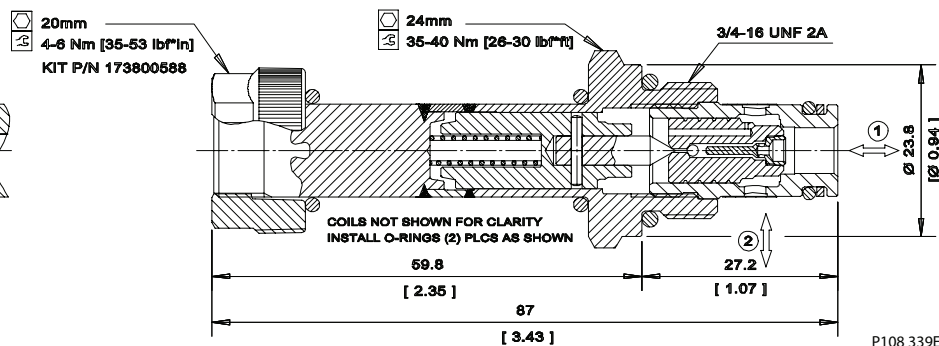
P102 386

DIMENSIONS

mm [in]



Cross-sectional view



ORDERING INFORMATION

SVP08-NCR-12-DN-M-B-F-00

Coil voltage:
00 = No Coil
12D = 12VDC (Standard Coil)
24D = 24VDC (Standard Coil)
R12D = 12VDC (R-Coil)
R24D = 24VDC (R-Coil)

Coil termination:
00 = No Coil
FL = Flying Lead
DN = DIN 43650 *
DE = Deutsch
AJ = Amp Junior *
SP = Spade *
AS = AMP SuperSeal 1.5 and Metri-Pack 150 type 1
*These terminations are not available on robust coil (R12D,R24D)

Body and ports:
00 = Cartridge only
DG2B = Al, 1/4 BSP
DG3B = Al, 3/8 BSP
4S = Al, #4 SAE
6S = Al, #6 SAE
Other housings available

Filter:
Omit = No Filter
F = Filter 300 mm

Seals: Seal kit
B = Buna-n 354000119
V = Viton 354000219

Override Type:
Omit = No Override
M = Manual Override (Screw type)

Body Nomenclature
No Body
SDC08-2-DG-2B
SDC08-2-DG-3B
CP08-2-4S
CP08-2-6S

P103 544E

OPERATION

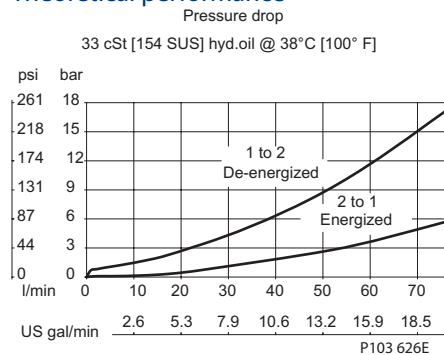
This is a normally-closed, pilot-operated, poppet-type solenoid valve with free reverse flow.

SPECIFICATIONS

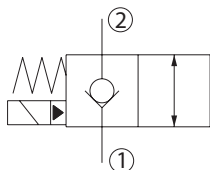
Specifications

Rated pressure	230 bar [3300 psi]
Rated flow at 7 bar [100 psi]	80 l/min [21 US gal/min]
Leakage	6 drops/min @ Rated pressure
Weight	0.43 kg [0.95 lb]
Cavity	SDC10-2
Standard Coil	M16 26 Watt
Robust Coil	R16 20 Watt Robust Nut P/N 173804910 (no coil O-rings needed)

Theoretical performance



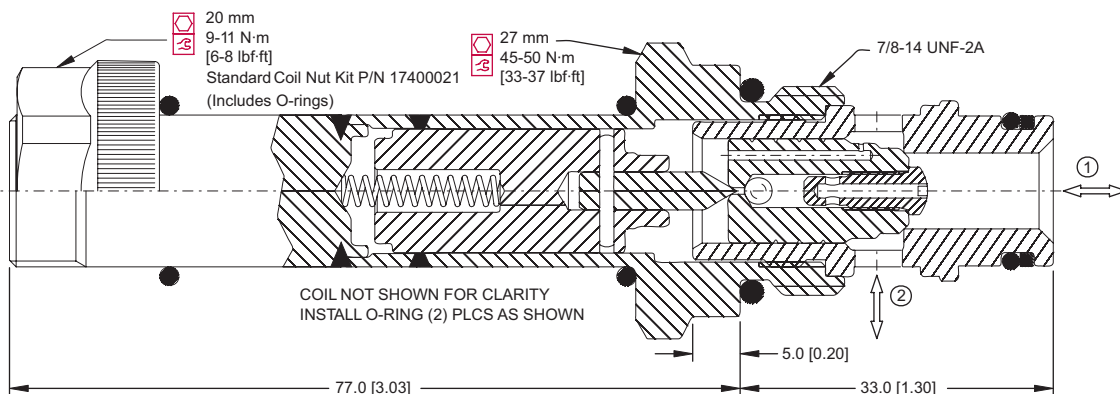
Schematic



DIMENSIONS

mm [in]

Cross-sectional view



P103 487

ORDERING INFORMATION

SVP10-NCR-12D-DN-B-F-00

Coil voltage
00 = No Coil
12D = 12 VDC (Standard Coil)
24D = 24 VDC (Standard Coil)
R12D = 12 VDC (R-Coil)
R24D = 24 VDC (R-Coil)
Coil termination:
00 = No Coil
FL = Flying Lead
DN = DIN 43650 *
DE = Deutch
AJ = Amp Junior *
SP = Spade *
AS = AMP SuperSeal 1.5 and Metri-Pack 150 type 1
* These terminations are not available on robust coil (R12D, R24D)

Body and ports
00 = Cartridge only
DG3B = Al, 3/8 BSP
DG4B = Al, 1/2 BSP
6S = Al, #6 SAE
8S = Al, #8 SAE
Other housings available

Filter
Omit = No Filter
F = Filter 300 µm

Seals Seals kit
B = Buna-N 354000719
V = Viton 354000819

Body Nomenclature
No Body
SDC10-2-DG-3B
SDC10-2-DG-4B
CP10-2-6S
CP10-2-8S

P103 549E

OPERATION

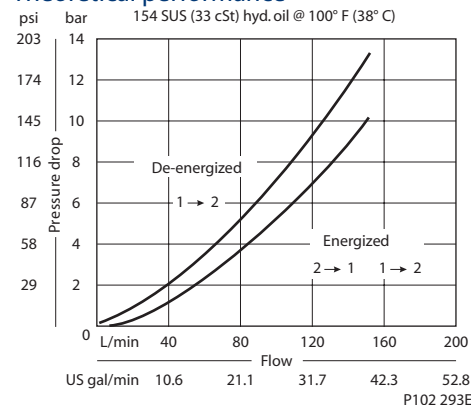
This valve is a normally closed, pilot operated, poppet type solenoid valve with free reverse flow.

SPECIFICATIONS

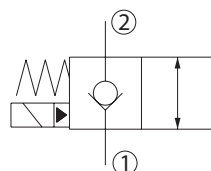
Specifications

Rated pressure	210 bar [3000 psi]
Rated flow at 7 bar [100 psi]	115 l/min [30 US gal/min]
Leakage	6 drops/min @ Rated pressure
Weight	0.53 kg [1.16 lb]
Cavity	CP12-2
Standard Coil	D10 16 Watt
Coil nut	620186

Theoretical performance



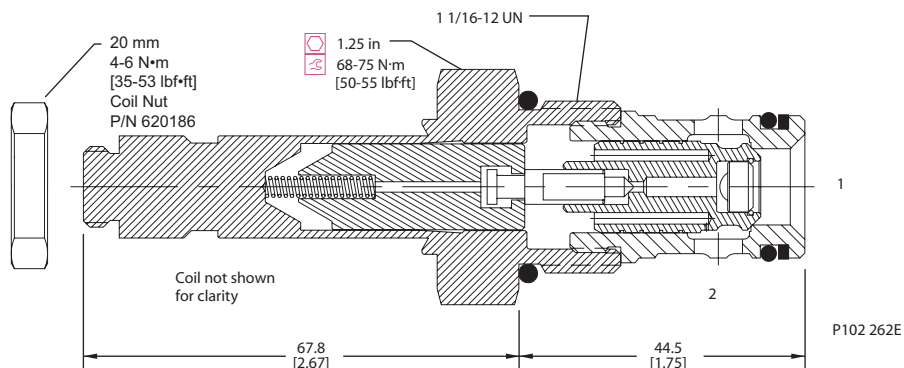
Schematic



DIMENSIONS

mm [in]

Cross-sectional view



ORDERING INFORMATION

Seal
B = Buna-N
V = Viton

Housing and ports
0 = No Housing
4B = AL, 1/2 BSP
6B = AL, 3/4 BSP
10S = AL, #10 SAE
12S = AL, #12 SAE
Other housings available

Seal kit
120265
120264

Housing P/N
No Housing
CP12-2-4B
CP12-2-6B
CP12-2-10S
CP12-2-12S

Termination
0 = No connector
S = Spade
L = Lead
H = DIN 43650
DE = Deutsch
M2 = Metri-Pak 150 Type 1

Voltage
000 = No coil
12D = 12 VDC
24D = 24 VDC

CP501 - 3 - B - 12S - 24D - S

OPERATION

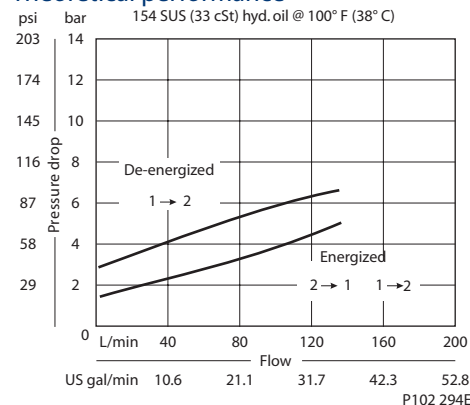
This valve is a normally closed, pilot operated, poppet type solenoid valve with free reverse flow.

SPECIFICATIONS

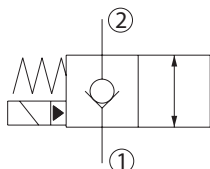
Specifications

Rated pressure	210 bar [3000 psi]
Rated flow at 7 bar [100 psi]	130 l/min [34 US gal/min]
Leakage	6 drops/min @ Rated pressure
Weight	0.66 kg [1.45 lb]
Cavity	SDC16-2
Standard Coil	D10 16 Watt
Coil nut	620186

Theoretical performance



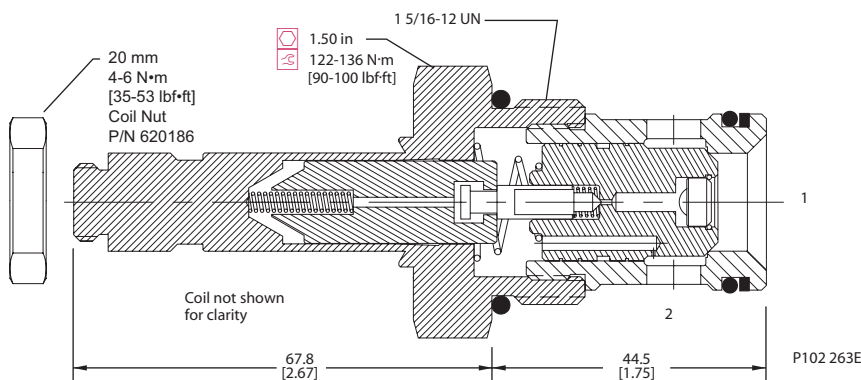
Schematic



DIMENSIONS

mm [in]

Cross-sectional view



ORDERING INFORMATION

CP502 - 3 - B - 16S - 24D - S

<p>Seals B = Buna-N V = Viton</p> <p>Housing and ports 0 = No Housing DG6B = AL, 3/4 BSP DG8B = AL, 1 BSP 12S = AL, #12 SAE 16S = AL, #16 SAE Other housings available</p>	<p>Seal kit 120019 120020</p> <p>Housing P/N No Housing SDC16-2-DG-6B SDC16-2-DG-8B CP16-2-12S CP16-2-16S</p>	<p>Termination 0 = No connector S = Spade L = Lead H = DIN 43650 DE = Deutsch M2 = Metri-Pak 150 Type 1</p> <p>Voltage 000 = No coil 12D = 12 VDC 24D = 24 VDC</p>
--	--	---

P102 318E

OPERATION

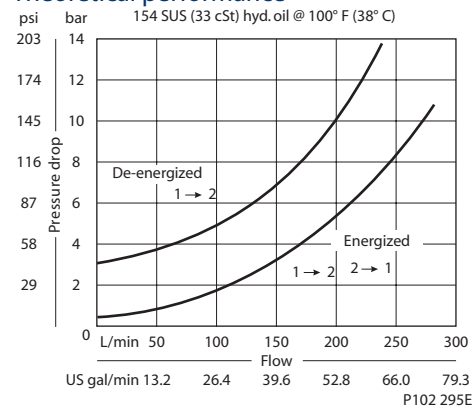
This valve is a normally closed, pilot operated, poppet type solenoid valve with free reverse flow.

SPECIFICATIONS

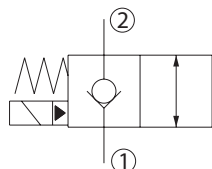
Specifications

Rated pressure	210 bar [3000 psi]
Rated flow at 7 bar [100 psi]	230 l/min [61 US gal/min]
Leakage	6 drops/min @ Rated pressure
Weight	0.91 kg [2.00 lb]
Cavity	SDC20-2
Standard Coil	D10 16 Watt
Coil nut	620186

Theoretical performance



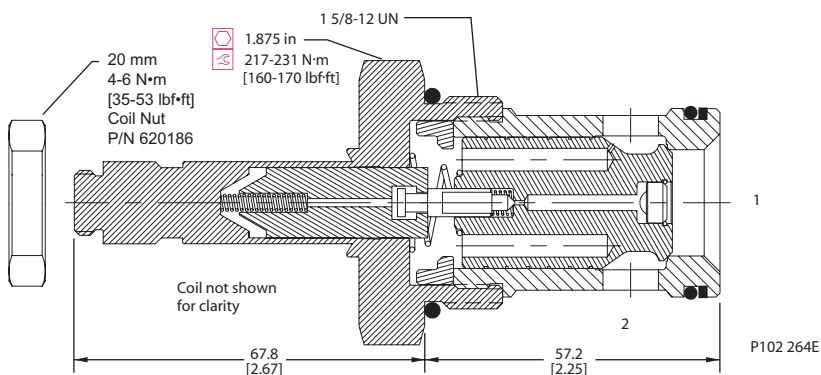
Schematic



DIMENSIONS

mm [in]

Cross-sectional view



ORDERING INFORMATION

Seals

B = Buna-N
V = Viton

Seal kit

120011
120012

Housing and ports

0 = No Housing
8B = AL, 1 BSP
10B = AL, 1-1/4 BSP
16S = AL, #16 SAE
20S = AL, #20 SAE
Other housings available

Housing P/N

No Housing
CP20-2-8B
CP20-2-10B
CP20-2-16S
CP20-2-20S

CP503 - 3 - B - 20S - 24D - S

Termination

0 = No connector
S = Spade
L = Lead
H = DIN 43650
DE = Deutsch
M2 = Metri-Pak 150 Type 1

Voltage

000 = No coil
12D = 12 VDC
24D = 24 VDC

Solenoid valves
CP503-3

OPERATION

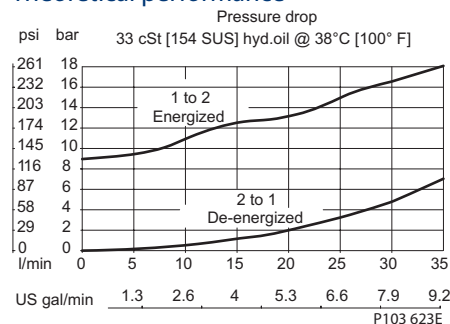
This is a normally-open, pilot-operated, poppet-type solenoid valve.

SPECIFICATIONS

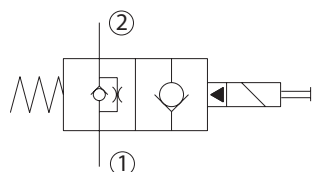
Specifications

Rated pressure	230 bar [3300 psi]
Rated flow at 7 bar [100 psi]	35 l/min [9 US gal/min]
Leakage	6 drops/min @ Rated pressure
Weight	0.23 kg [0.51 lb]
Cavity	SDC08-2
Standard Coil	M13 20 Watt
Robust Coil	R13 16 Watt Robust Nut P/N 173804910 (no coil O-rings needed)

Theoretical performance



Schematic



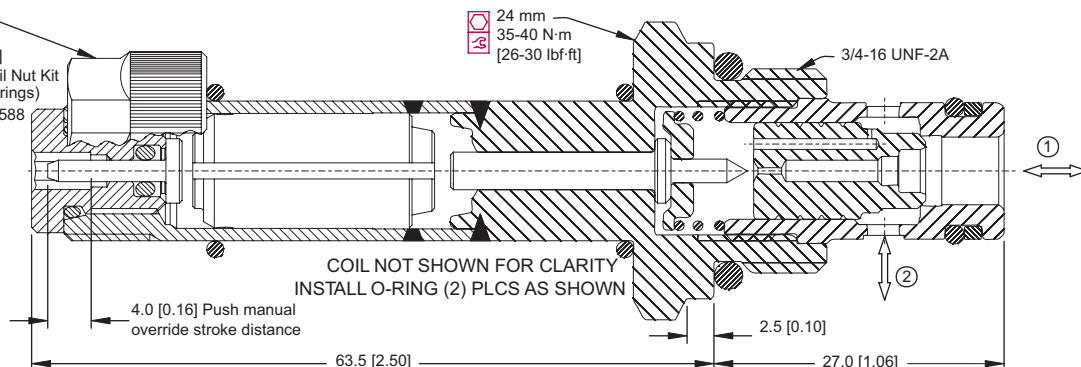
P102 385

DIMENSIONS

mm [in]

20 mm
4-6 N·m
[35-53 lbf·in]
Standard Coil Nut Kit
(Includes O-rings)
P/N 173800588

Cross-sectional view



P103 489

ORDERING INFORMATION

SVP08-NO-12D-DN-B-F-00

Coil voltage
00 = No Coil
12D = 12 VDC (Standard Coil)
24D = 24 VDC (Standard Coil)
R12D = 12 VDC (R-Coil)
R24D = 24 VDC (R-Coil)
Coil termination:
00 = No Coil
FL = Flying Lead
DN = DIN 43650 *
DE = Deutsch
AJ = Amp Junior *
SP = Spade *
AS = AMP SuperSeal 1.5 and Metri-Pack 150 type 1
* These terminations are not available on robust coil (R12D, R24D)

Body and ports
00 = Cartridge only
DG2B = Al, 1/4 BSP
DG3B = Al, 3/8 BSP
4S = Al, #4 SAE
6S = Al, #6 SAE
Other housings available

Filter
Omit = No Filter
F = Filter 300 µm

Seals Seals kit
B = Buna-N 354003119
V = Viton 354003619

Body Nomenclature
No Body
SDC08-2-DG-2B
SDC08-2-DG-3B
CP08-2-4S
CP08-2-6S

P103 546E

OPERATION

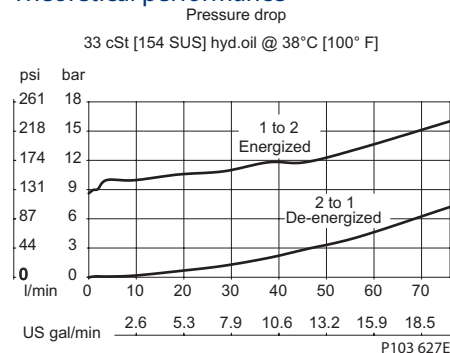
This is a normally-open, pilot-operated, poppet-type solenoid valve.

SPECIFICATIONS

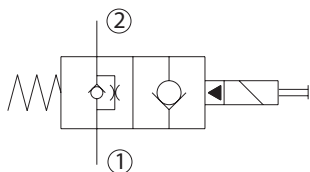
Specifications

Rated pressure	230 bar [3300 psi]
Rated flow at 7 bar [100 psi]	80 l/min [21 US gal/min]
Leakage	6 drops/min @ Rated pressure
Weight	0.43 kg [0.95 lb]
Cavity	SDC10-2
Standard Coil	M16 26 Watt
Robust Coil	R16 20 Watt Robust Nut P/N 173804910 (no coil O-rings needed)

Theoretical performance



Schematic

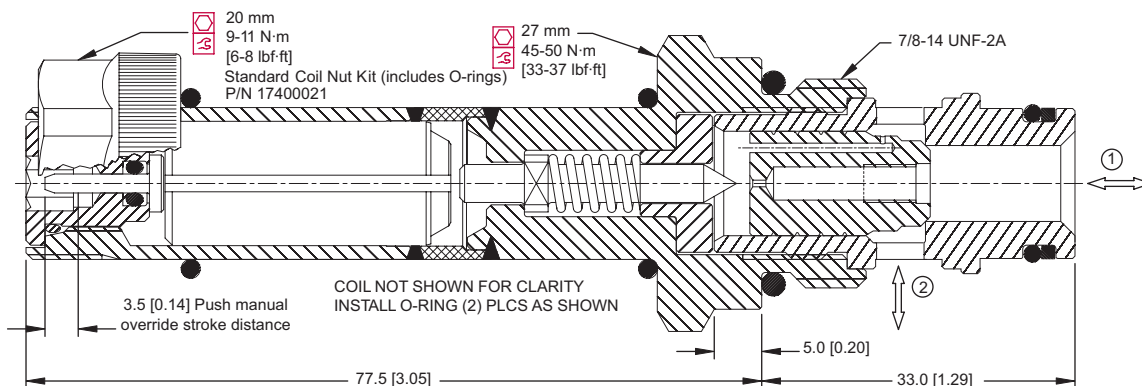


P102 385

DIMENSIONS

mm [in]

Cross-sectional view



ORDERING INFORMATION

SVP10-NO-12D-DN-B-F-00

Coil voltage
00 = No Coil
12D = 12 VDC (Standard Coil)
24D = 24 VDC (Standard Coil)
R12D = 12 VDC (R-Coil)
R24D = 24 VDC (R-Coil)
Coil termination:
00 = No Coil
FL = Flying Lead
DN = DIN 43650 *
DE = Deutsch
AJ = Amp Junior *
SP = Spade *
AS = AMP SuperSeal 1.5 and Metri-Pack 150 type 1
* These terminations are not available on robust coil (R12D, R24D)

Body and ports
00 = Cartridge only
DG3B = Al, 3/8 BSP
DG4B = Al, 1/2 BSP
6S = Al, #6 SAE
8S = Al, #8 SAE
Other housings available

Filter
Omit = No Filter
F = Filter 300 µm

Seals Seals kit
B = Buna-N 354000719
V = Viton 354000819

Body Nomenclature
No Body
SDC10-2-DG-3B
SDC10-2-DG-4B
CP10-2-6S
CP10-2-8S

P103 550E

OPERATION

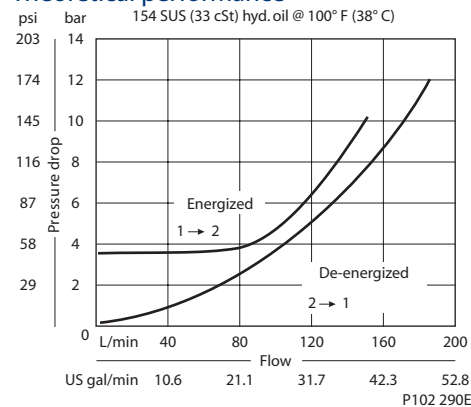
This valve is a normally open, pilot operated, poppet type solenoid.

SPECIFICATIONS

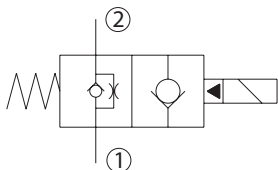
Specifications

Rated pressure	210 bar [3000 psi]
Rated flow at 7 bar [100 psi]	115 l/min [30 US gal/min]
Leakage	6 drops/min @ Rated pressure
Weight	0.54 kg [1.19 lb]
Cavity	CP12-2
Standard Coil	D10 16 Watt
Coil nut	621468 (Std.), 622477 (Option M)

Theoretical performance



Schematic

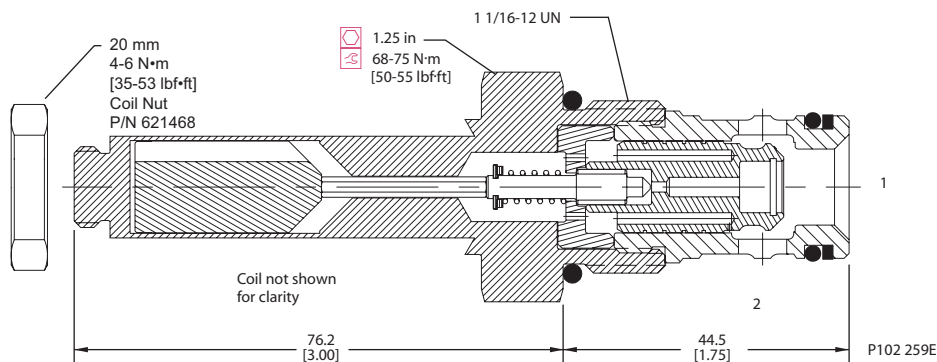


P102 261E

DIMENSIONS

mm [in]

Cross-sectional view



ORDERING INFORMATION

CP501 - 2 - B - 10S - 24D - S

<p>Seals B = Buna-N V = Viton</p>	<p>Seal kit 120265 120264</p>	<p>Housing and ports 0 = No Housing 4B = AL, 1/2 BSP 6B = AL, 3/4 BSP 10S = AL, #10 SAE 12S = AL, #12 SAE Other housings available</p>	<p>Housing P/N No Housing CP12-2-4B CP12-2-6B CP12-2-10S CP12-2-12S</p>	<p>Voltage 000 = No coil 12D = 12 VDC 24D = 24 VDC</p>	<p>Termination 0 = No connector S = Spade L = Lead H = DIN 43650 DE = Deutsch M2 = Metri-Pak 150 Type 1</p>
--	--	---	--	---	--

P102 322E

Solenoid valves
CP501-2

OPERATION

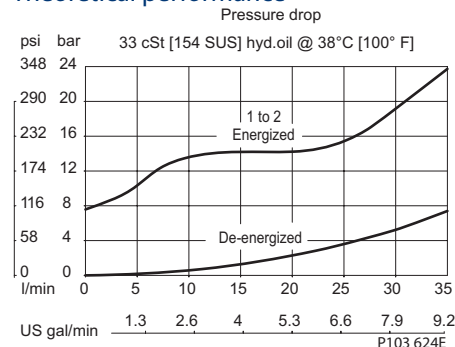
This is a normally-open, pilot-operated, poppet-type solenoid valve with free reverse flow.

SPECIFICATIONS

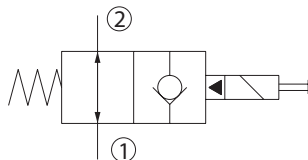
Specifications

Rated pressure	230 bar [3300 psi]
Rated flow at 7 bar [100 psi]	35 l/min [9 US gal/min]
Leakage	6 drops/min @ Rated pressure
Weight	0.23 kg [0.51 lb]
Cavity	SDC08-2
Standard Coil	M13 20 Watt
Robust Coil	R13 16 Watt Robust Nut P/N 173804910 (no coil O-rings needed)

Theoretical performance

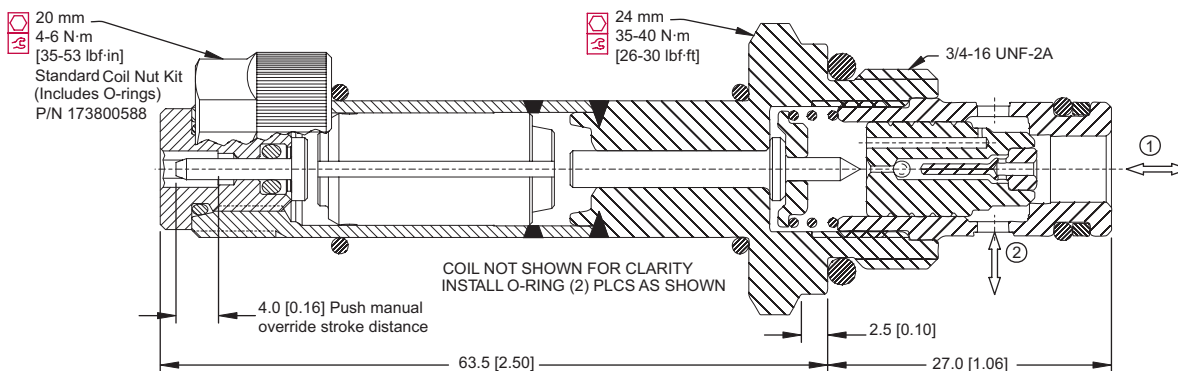


Schematic



DIMENSIONS

mm [in]



P103 490

ORDERING INFORMATION

SVP08-NOR-12D-DN-B-F-00

- Coil voltage
 - 00 = No Coil
 - 12D = 12 VDC (Standard Coil)
 - 24D = 24 VDC (Standard Coil)
 - R12D = 12 VDC (R-Coil)
 - R24D = 24 VDC (R-Coil)
- Coil termination:
 - 00 = No Coil
 - FL = Flying Lead
 - DN = DIN 43650 *
 - DE = Deutsch
 - AJ = Amp Junior *
 - SP = Spade *
 - AS = AMP SuperSeal 1.5 and Metri-Pack 150 type 1
 - * These terminations are not available on robust coil (R12D, R24D)
- Body and ports
 - 00 = Cartridge only
 - DG2B = Al, 1/4 BSP
 - DG3B = Al, 3/8 BSP
 - 4S = Al, #4 SAE
 - 6S = Al, #6 SAE
 - Other housings available
- Filter
 - Omit = No Filter
 - F = Filter 300 µm
- Seals
 - B = Buna-N
 - V = Viton
- Seals kit
 - 354000119
 - 354000219
- Body Nomenclature
 - No Body
 - SDC08-2-DG-2B
 - SDC08-2-DG-3B
 - CP08-2-4S
 - CP08-2-6S

P103 547E

Solenoid valves
SVP08-NOR

OPERATION

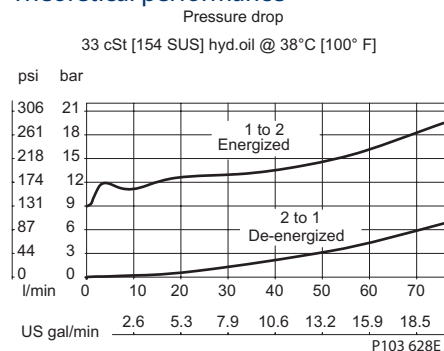
This is a normally-open, pilot-operated, poppet-type solenoid valve with free reverse flow.

SPECIFICATIONS

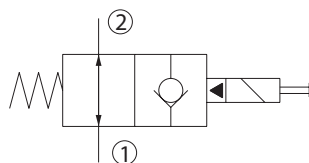
Specifications

Rated pressure	230 bar [3300 psi]
Rated flow at 7 bar [100 psi]	80 l/min [21 US gal/min]
Leakage	6 drops/min @ Rated pressure
Weight	0.43 kg [0.95 lb]
Cavity	SDC10-2
Standard Coil	M16 26 Watt
Robust Coil	R16 20 Watt Robust Nut P/N 173804910 (no coil O-rings needed)

Theoretical performance



Schematic

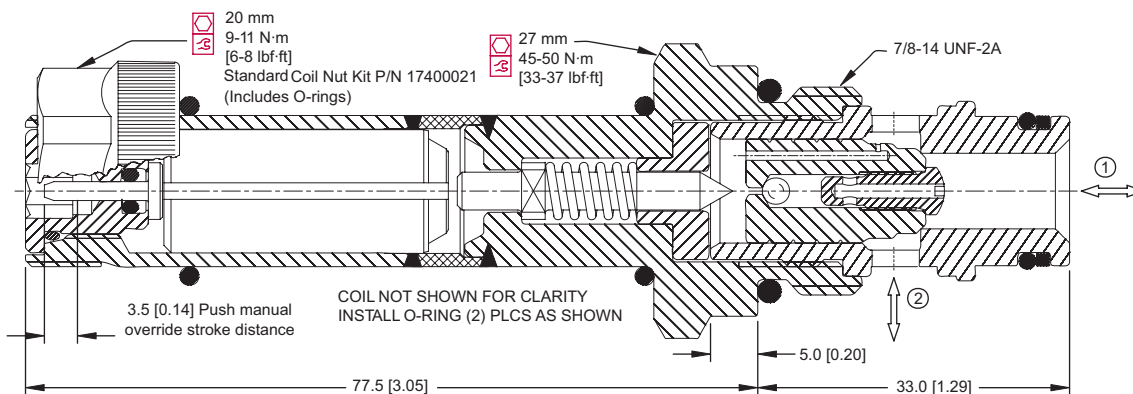


P102 387

DIMENSIONS

mm [in]

Cross-sectional view



ORDERING INFORMATION

SVP10-NOR-12D-DN-B-F-00

Coil voltage	Body and ports	Body Nomenclature
00 = No Coil	00 = Cartridge only	No Body
12D = 12 VDC (Standard Coil)	DG3B = Al, 3/8 BSP	SDC10-2-DG-3B
24D = 24 VDC (Standard Coil)	DG4B = Al, 1/2 BSP	SDC10-2-DG-4B
R12D = 12 VDC (R-Coil)	6S = Al, #6 SAE	CP10-2-6S
R24D = 24 VDC (R-Coil)	8S = Al, #8 SAE	CP10-2-8S
Coil termination:	Other housings available	
00 = No Coil		
FL = Flying Lead	Filter	
DN = DIN 43650 *	Omit = No Filter	
DE = Deutsch	F = Filter 300 µm	
AJ = Amp Junior *	Seals	Seals kit
SP = Spade *	B = Buna-N	354000719
AS = AMP SuperSeal 1.5 and Metri-Pack 150 type 1	V = Viton	354000819
* These terminations are not available on robust coil (R12D, R24D)		

P103 551E

OPERATION

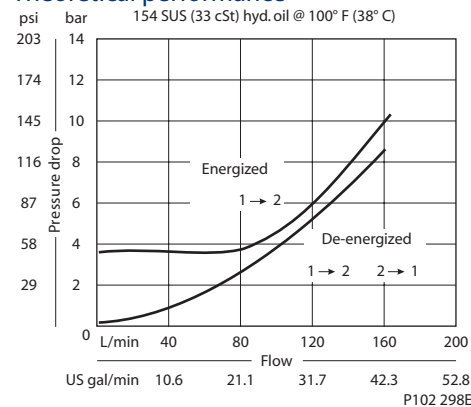
This valve is a normally open, pilot operated, poppet type solenoid valve with free reverse flow.

SPECIFICATIONS

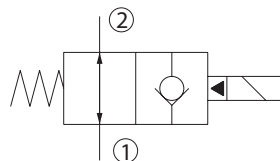
Specifications

Rated pressure	210 bar [3000 psi]
Rated flow at 7 bar [100 psi]	115 l/min [30 US gal/min]
Leakage	6 drops/min @ Rated pressure
Weight	0.54 kg [1.19 lb]
Cavity	CP12-2
Standard Coil	D10 16 Watt
Coil nut	621468 (Std.), 622477 (Option M)

Theoretical performance



Schematic

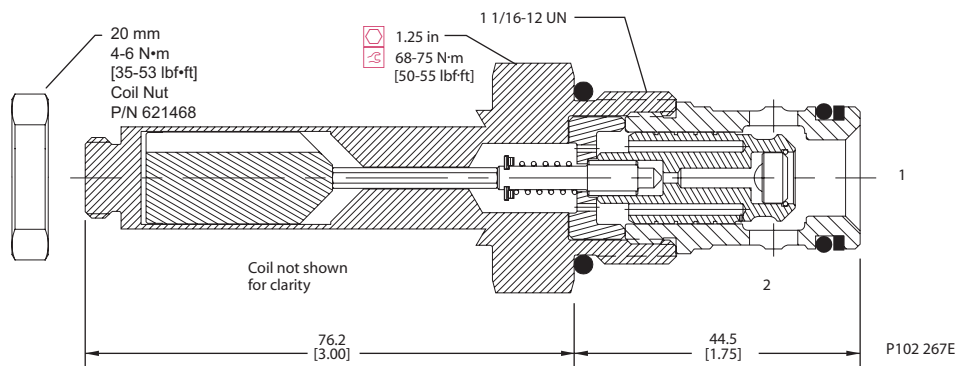


P108 262

DIMENSIONS

mm [in]

Cross-sectional view



ORDERING INFORMATION

CP501 - 4 - B - 10S - 24D - S

Seals
B = Buna-N
V = Viton

Seal kit
120265
120264

Housing and ports
0 = No Housing
4B = AL, 1/2 BSP
6B = AL, 3/4 BSP
10S = AL, #10 SAE
12S = AL, #12 SAE
Other housings available

Housing P/N
No Housing
CP12-2-4B
CP12-2-6B
CP12-2-10S
CP12-2-12S

Voltage
000 = No coil
12D = 12 VDC
24D = 24 VDC

Termination
0 = No connector
S = Spade
L = Lead
H = DIN 43650
DE = Deutsch
M2 = Metri-Pak 150 Type 1

P102 320E

Solenoid valves
CP501-4

OPERATION

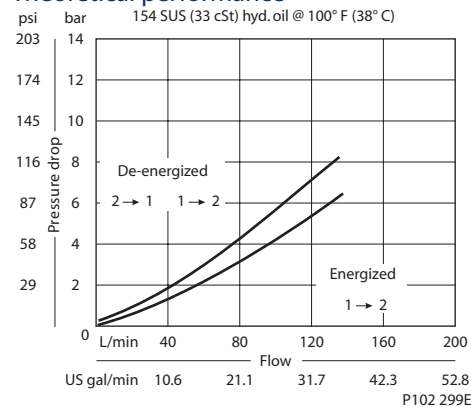
This valve is a normally open, pilot operated, poppet type solenoid.

SPECIFICATIONS

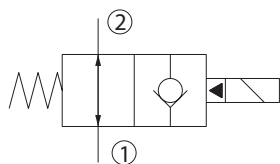
Specifications

Rated pressure	210 bar [3000 psi]
Rated flow at 7 bar [100 psi]	130 l/min [34 US gal/min]
Leakage	6 drops/min @ Rated pressure
Weight	0.68 kg [1.50 lb]
Cavity	SDC16-2
Standard Coil	D10 16 Watt
Coil nut	621468 (Std.), 622477 (Option M)

Theoretical performance



Schematic

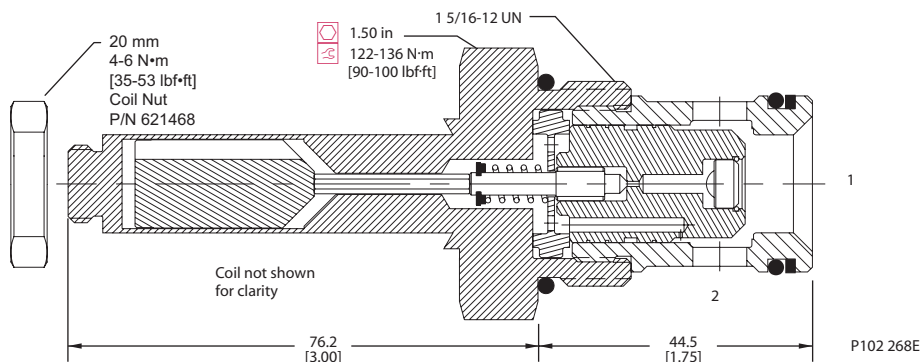


P108 262

DIMENSIONS

mm [in]

Cross-sectional view



P102 268E

ORDERING INFORMATION

CP502 - 4 - B - 12S - 24D - S

Seals B = Buna-N V = Viton	Seal kit 120019 120020	Housing and ports 0 = No Housing DG6B = AL, 3/4 BSP DG8B = AL, 1 BSP 12S = AL, #12 SAE 16S = AL, #16 SAE Other housings available	Housing P/N No Housing SDC16-2-DG-6B SDC16-2-DG-8B CP16-2-12S CP16-2-16S	Voltage 000 = No coil 12D = 12 VDC 24D = 24 VDC	Termination 0 = No connector S = Spade L = Lead H = DIN 43650 DE = Deutsch M2 = Metri-Pak 150 Type 1
---	-------------------------------------	--	--	---	---

P102 317E

Solenoid valves
CP502-4

OPERATION

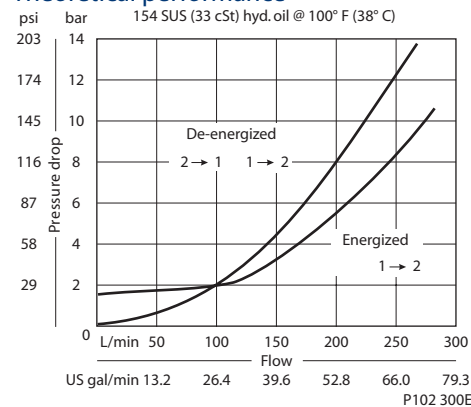
This valve is a normally open, pilot operated, poppet type solenoid.

SPECIFICATIONS

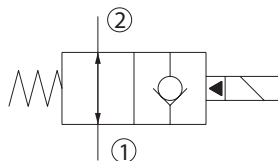
Specifications

Rated pressure	210 bar [3000 psi]
Rated flow at 7 bar [100 psi]	230 l/min [61 US gal/min]
Leakage	6 drops/min @ Rated pressure
Weight	0.91 kg [2.00 lb]
Cavity	SDC20-2
Standard Coil	D10 16 Watt
Coil nut	621468 (Std.), 622477 (Option M)

Theoretical performance



Schematic

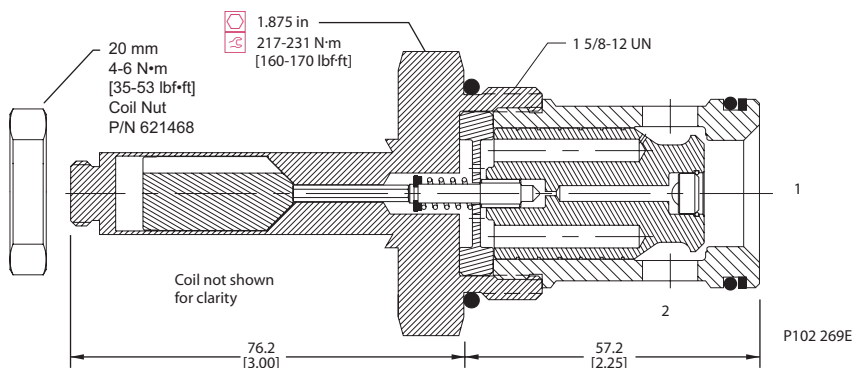


P108 262

DIMENSIONS

mm [in]

Cross-sectional view



ORDERING INFORMATION

CP503 - 4 - B - 16S - 24D - S

Seals
B = Buna-N
V = Viton

Housing and ports
0 = No Housing
8B = AL, 1 BSP
10B = AL, 1-1/4 BSP
16S = AL, #16 SAE
20S = AL, #20 SAE
Other housings available

Housing P/N
No Housing
CP20-2-8B
CP20-2-10B
CP20-2-16S
CP20-2-20S

Seal kit
120011
120012

Voltage
000 = No coil
12D = 12 VDC
24D = 24 VDC

Termination
0 = No connector
S = Spade
L = Lead
H = DIN 43650
DE = Deutsch
M2 = Metri-Pak 150 Type 1

P102 345E

Solenoid valves
CP503-4

OPERATION

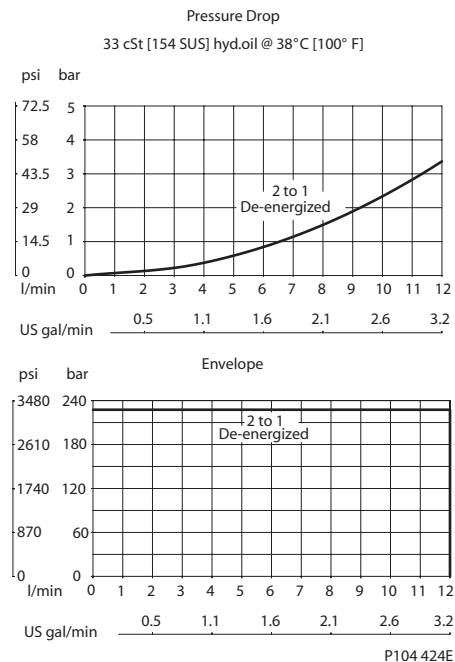
This is a normally-open, direct-acting, 2-way, 2-position, spool-type solenoid valve.

SPECIFICATIONS

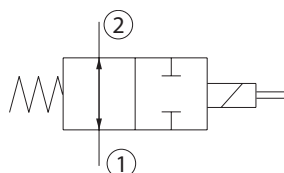
Specifications

Rated pressure	230 bar [3300 psi]
Rated flow at 7 bar [100 psi]	16 l/min [4 US gal/min]
Weight	0.29 kg [0.64 lb]
Cavity	SDC08-2
Standard Coil	M13 20 Watt
Robust Coil	R13 16 Watt Robust Nut P/N 173804910 (no coil O-rings needed)

Theoretical performance



Schematic

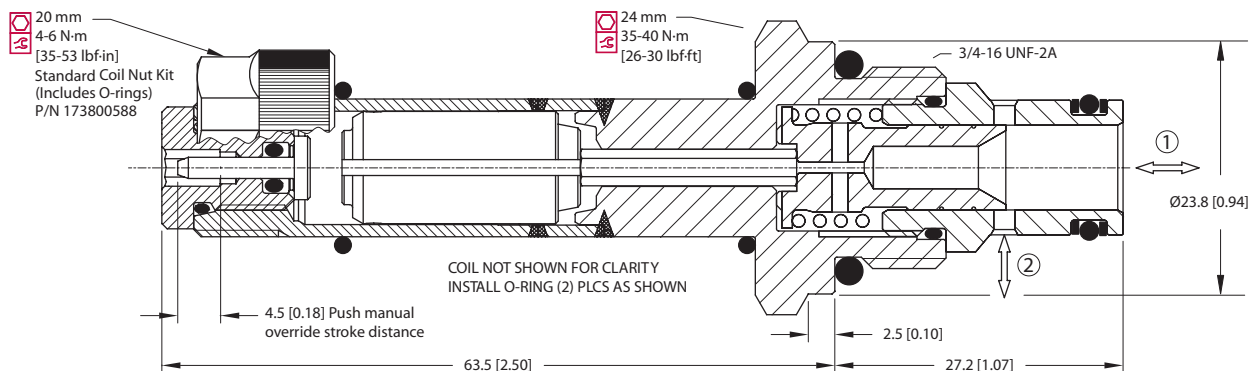


P108 284

DIMENSIONS

mm [in]

Cross-sectional view



P103 461

ORDERING INFORMATION

SV08-22-01-12D-DN-B-00

Coil voltage

- 00 = No Coil
- 12D = 12 VDC (Standard Coil)
- 24D = 24 VDC (Standard Coil)
- R12D = 12 VDC (R-Coil)
- R24D = 24 VDC (R-Coil)

Coil termination:

- 00 = No Coil
- FL = Flying Lead
- DN = DIN 43650 *
- DE = Deutsch
- AJ = Amp Junior *
- SP = Spade *
- AS = AMP SuperSeal 1.5 and Metri-Pack 150 type 1

Body and ports

- 00 = Cartridge only
- DG2B = Al, 1/4 BSP
- DG3B = Al, 3/8 BSP
- 4S = Al, #4 SAE
- 6S = Al, #6 SAE
- Other housings available

Seals

- B = Buna-N
- V = Viton

Seals kit

- 354003119
- 354003619

Body Nomenclature

- No Body
- SDC08-2-DG-2B
- SDC08-2-DG-3B
- CP08-2-4S
- CP08-2-6S

P103 423E

* These terminations are not available on robust coil (R12D, R24D)

OPERATION

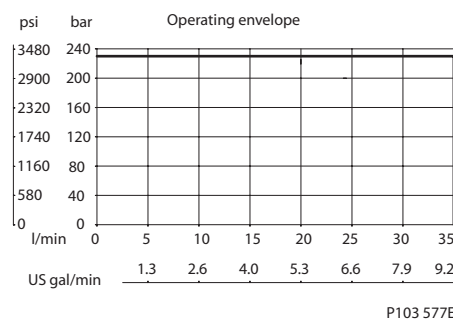
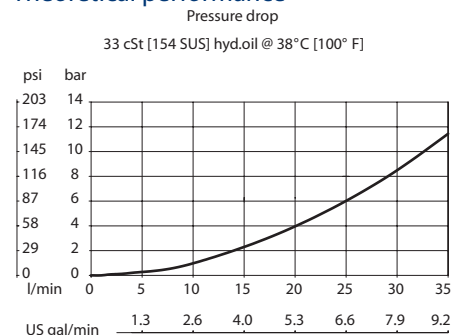
This is a normally-open, direct-acting, 2-way, 2-position, spool-type solenoid valve.

SPECIFICATIONS

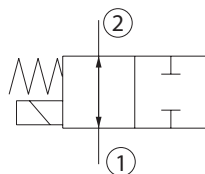
Specifications

Rated pressure	230 bar [3300 psi]
Rated flow at 7 bar [100 psi]	27 l/min [7 US gal/min]
Weight	0.43 kg [0.95 lb]
Cavity	SDC10-2
Standard Coil	M16 26 Watt
Robust Coil	R16 20 Watt Robust Nut P/N 173804910 (no coil O-rings needed)

Theoretical performance



Schematic

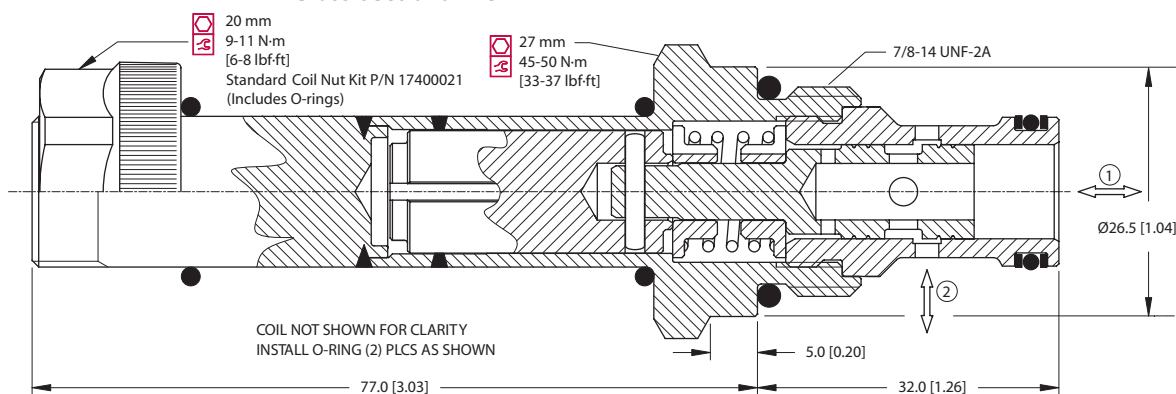


P102 389

DIMENSIONS

mm [in]

Cross-sectional view



P103 476

ORDERING INFORMATION

SV10-22-01-12D-DN-B-00

- Coil voltage**
00 = No Coil
12D = 12 VDC (Standard Coil)
24D = 24 VDC (Standard Coil)
R12D = 12 VDC (R-Coil)
R24D = 24 VDC (R-Coil)
- Coil termination:**
00 = No Coil
FL = Flying Lead
DN = DIN 43650 *
DE = Deutsch
AJ = Amp Junior *
SP = Spade *
AS = AMP SuperSeal 1.5 and Metri-Pack 150 type 1

- Body and ports**
00 = Cartridge only
6S = Al, #6 SAE
8S = Al, #8 SAE
DG3B = Al, 3/8 BSP
DG4B = Al, 1/2 BSP
Other housings available
- Seals**
B = Buna-N
V = Viton

- Body Nomenclature**
No Body
CP10-2-6S
CP10-2-8S
SDC10-2-DG3B
SDC10-2-DG4B

P103 438E

* These terminations are not available on robust coil (R12D, R24D)

OPERATION

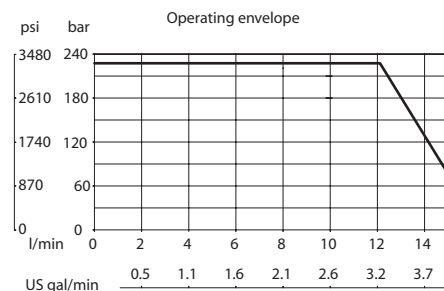
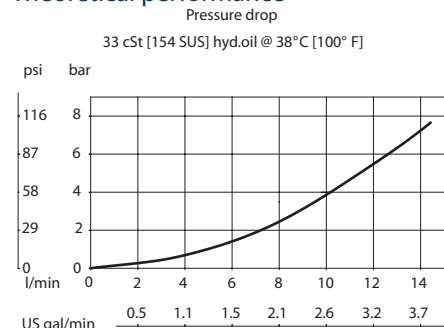
This is a normally-closed, direct-acting, 2-way, 2-position, spool-type solenoid valve.

SPECIFICATIONS

Specifications

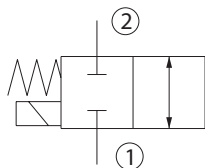
Rated pressure	230 bar [3300 psi]
Rated flow at 7 bar [100 psi]	14 l/min [4 US gal/min]
Weight	0.29 kg [0.64 lb]
Cavity	SDC08-2
Standard Coil	M13 20 Watt
Robust Coil	R13 16 Watt Robust Nut P/N 173804910 (no coil O-rings needed)

Theoretical performance



P103 564E

Schematic

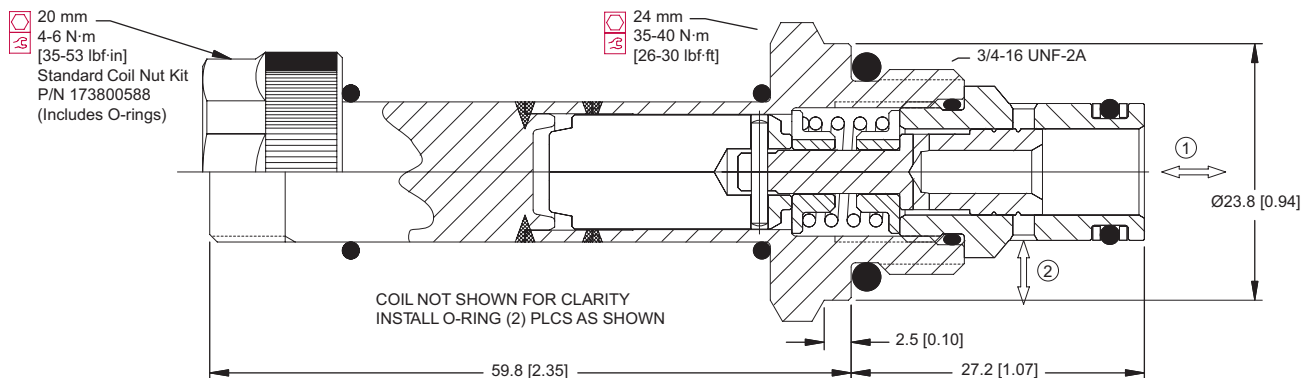


P102 388

DIMENSIONS

mm [in]

Cross-sectional view



ORDERING INFORMATION

SV08-22-02-12D-DN-B-00

Coil voltage

- 00 = No Coil
- 12D = 12 VDC (Standard Coil)
- 24D = 24 VDC (Standard Coil)
- R12D = 12 VDC (R-Coil)
- R24D = 24 VDC (R-Coil)

Coil termination:

- 00 = No Coil
- FL = Flying Lead
- DN = DIN 43650 *
- DE = Deutsch
- AJ = Amp Junior *
- SP = Spade *
- AS = AMP SuperSeal 1.5 and Metri-Pack 150 type 1

Body and ports

- 00 = Cartridge only
- DG2B = Al, 1/4 BSP
- DG3B = Al, 3/8 BSP
- 4S = Al, #4 SAE
- 6S = Al, #6 SAE
- Other housings available

Seals

- B = Buna-N
- V = Viton

Seal kit

- 354003119
- 354003619

Body Nomenclature

- No Body
- SDC08-2-DG-2B
- SDC08-2-DG-3B
- CP08-2-4S
- CP08-2-6S

P103 386E

* These terminations are not available on robust coil (R12D, R24D)

Solenoid valves
SV08-22-02

OPERATION

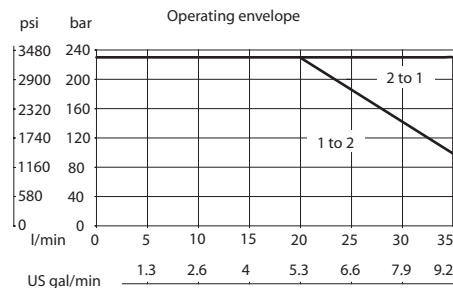
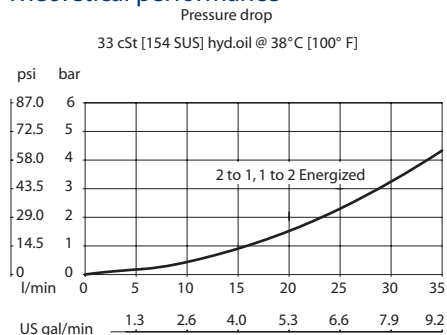
This is a normally-closed, direct-acting, 2-way, 2-position, spool-type solenoid valve.

SPECIFICATIONS

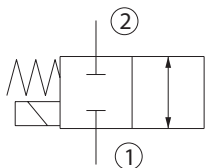
Specifications

Rated pressure	230 bar [3300 psi]
Rated flow at 7 bar [100 psi]	35 l/min [9 US gal/min]
Weight	0.43 kg [0.95 lb]
Cavity	SDC10-2
Standard Coil	M16 26 Watt
Robust Coil	R16 20 Watt Robust Nut P/N 173804910 (no coil O-rings needed)

Theoretical performance



Schematic



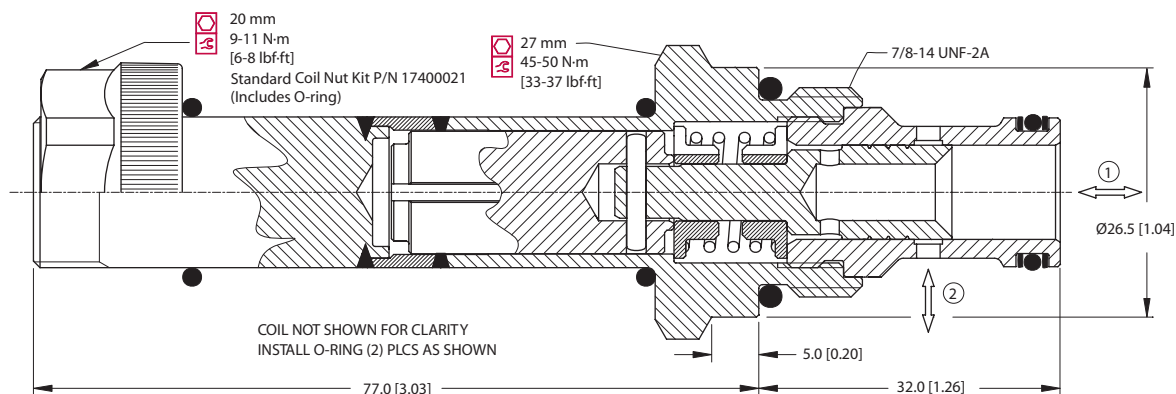
P102 388

P103 578E

DIMENSIONS

mm [in]

Cross-sectional view



P103 477

ORDERING INFORMATION

SV10-22-02-12D-DN-B-00

Coil voltage

- 00 = No Coil
- 12D = 12 VDC (Standard Coil)
- 24D = 24 VDC (Standard Coil)
- R12D = 12 VDC (R-Coil)
- R24D = 24 VDC (R-Coil)

Coil termination:

- 00 = No Coil
- FL = Flying Lead
- DN = DIN 43650 *
- DE = Deutsch
- AJ = Amp Junior *
- SP = Spade *
- AS = AMP SuperSeal 1.5 and Metri-Pack 150 type 1

Body and ports

- 00 = Cartridge only
- 6S = Al, #6 SAE
- 8S = Al, #8 SAE
- DG3B = Al, 3/8 BSP
- DG4B = Al, 1/2 BSP
- Other housings available

Seals

- B = Buna-N
- V = Viton

Seals kit

- 354004019
- 354003419

Body Nomenclature

- No Body
- CP10-2-6S
- CP10-2-8S
- SDC10-2-DG3B
- SDC10-2-DG4B

P103 439E

* These terminations are not available on robust coil (R12D, R24D)

OPERATION

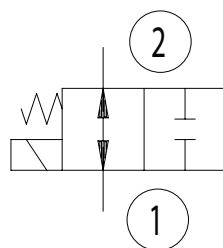
This is a direct-acting, 2-position, 2-way, spool-type solenoid valve.

SPECIFICATIONS

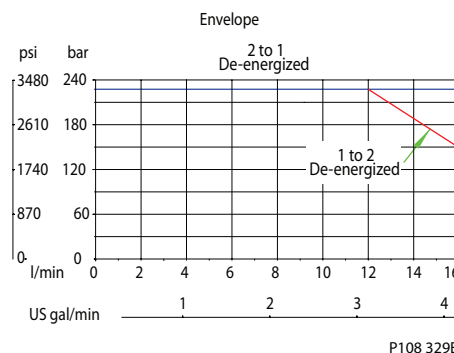
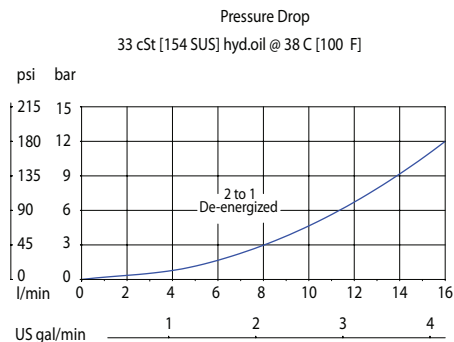
Specifications

Rated pressure	230 bar [3300 psi]
Maximum flow at rated pressure	12 l/min [3.2 US gal/min]
Weight	0.29 kg [0.64 lb]
Cavity	SDC08-2
Standard Coil	M13 20 Watt
Robust Coil	R13 16 Watt Robust Nut P/N 173804910 (no coil O-rings needed)

Schematic



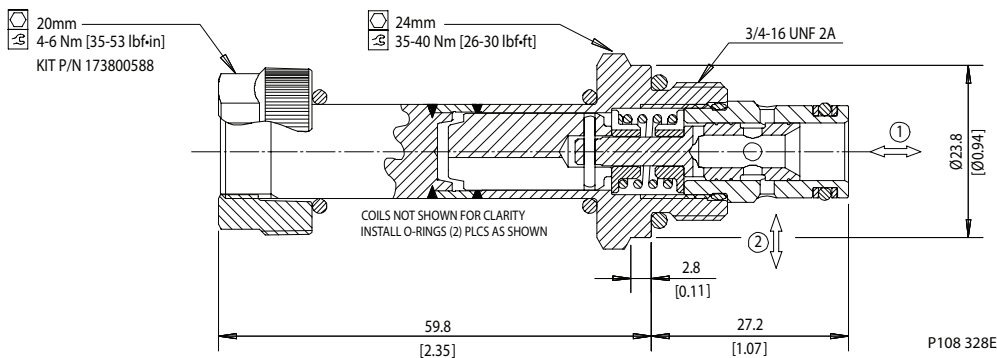
Theoretical performance



DIMENSIONS

mm [in]

Cross-sectional view



ORDERING INFORMATION

SV08-22-03-12D-DN-B-00

<p>Coil voltage: 00 = No Coil 12D = 12VDC (Standard Coil) 24D = 24VDC (Standard Coil) R12D = 12VDC (R-Coil) R24D = 24VDC (R-Coil)</p> <p>Coil termination: 00 = No Coil FL = Flying Lead DN = DIN 43650 * DE = Deutsch AJ = Amp Junior * SP = Spade * AS = AMP SuperSeal 1.5 and Metri-Pack 150 type 1 *These terminations are not available on robust coil (R12D,R24D)</p>	<p>Body and ports: 00 = Cartridge only DG2B = Al, 1/4 BSP DG3B = Al, 3/8 BSP 45 = Al, #4 SAE 65 = Al, #6 SAE Other housings available</p> <p>Seals: Seal kit B = Buna-n 354003119 V = Viton 354003619</p>	<p>Body Nomenclature No Body SDC08-2-DG-2B SDC08-2-DG-3B CP08-2-4S CP08-2-6S</p>
---	---	--

P108 326E

Solenoid valves
SV08-22-03

OPERATION

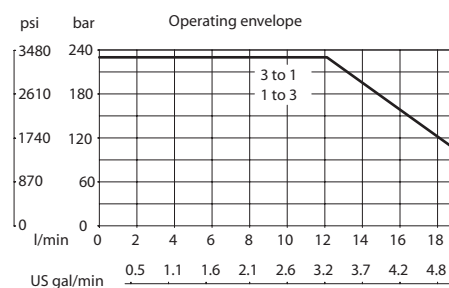
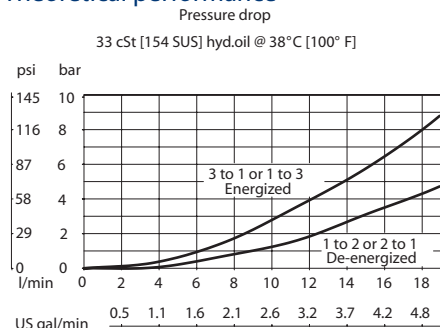
This is a direct-acting, 2-position, 3-way, spool-type solenoid valve.

SPECIFICATIONS

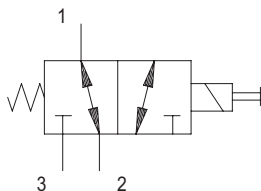
Specifications

Rated pressure	230 bar [3300 psi]
Rated flow at 7 bar [100 psi]	17 l/min [5 US gal/min]
Weight	0.31 kg [0.68 lb]
Cavity	SDC08-3
Standard Coil	M13 20 Watt
Robust Coil	R13 16 Watt Robust Nut P/N 173804910 (no coil O-rings needed)

Theoretical performance



Schematic

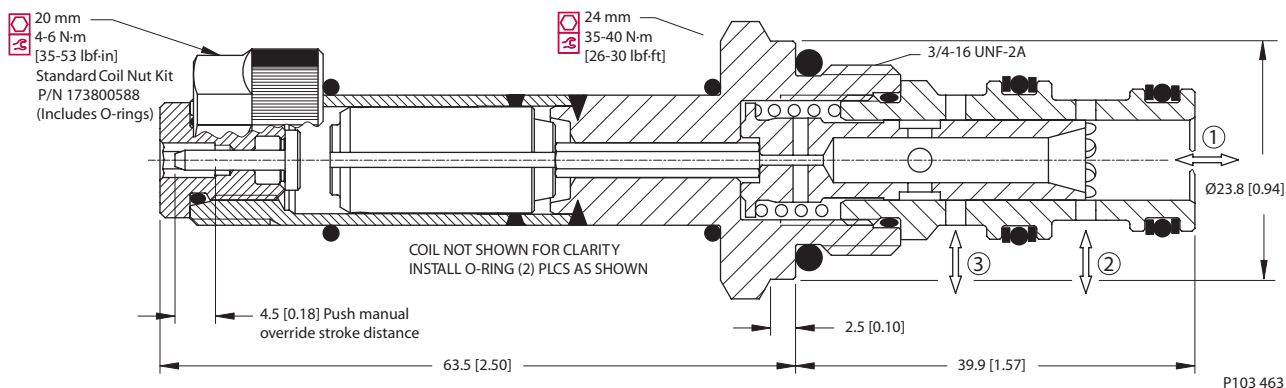


P108 332E

DIMENSIONS

mm [in]

Cross-sectional view



ORDERING INFORMATION

SV08-23-01-12D-DN-B-00

Coil voltage

- 00 = No Coil
- 12D = 12 VDC (Standard Coil)
- 24D = 24 VDC (Standard Coil)
- R12D = 12 VDC (R-Coil)
- R24D = 24 VDC (R-Coil)

Coil termination:

- 00 = No Coil
- FL = Flying Lead
- DN = DIN 43650 *
- DE = Deutsch
- AJ = Amp Junior *
- SP = Spade *
- AS = AMP SuperSeal 1.5 and Metri-Pack 150 type 1

Body and ports

- 00 = Cartridge only
- SE2B = Al, 1/4 BSP
- SE3B = Al, 3/8 BSP
- 4S = Al, #4 SAE
- 6S = Al, #6 SAE
- Other housings available

- Seals** **Seals kit**
- B = Buna-N 354003210
 - V = Viton 354003819

Body Nomenclature

- No Body
- SDC08-3-SE2B
- SDC08-3-SE3B
- CP08-3-4S
- CP08-3-6S

P103 425E

* These terminations are not available on robust coil (R12D, R24D)

OPERATION

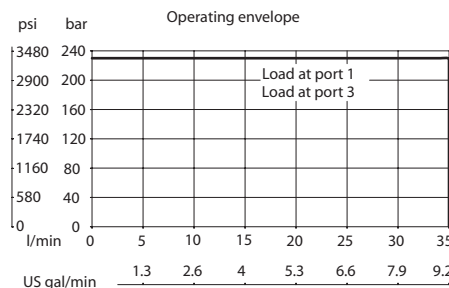
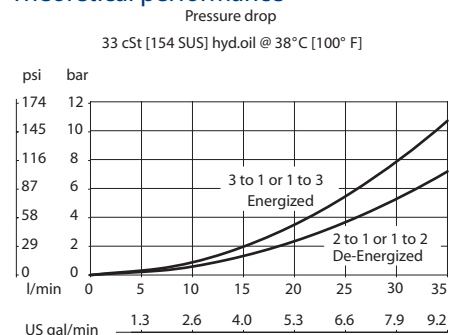
This is a direct-acting, 2-position, 3-way, spool-type solenoid valve.

SPECIFICATIONS

Specifications

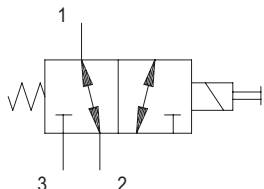
Rated pressure	230 bar [3300 psi]
Rated flow at 7 bar [100 psi]	28 l/min [7 US gal/min]
Weight	0.42 kg [0.93 lb]
Cavity	SDC10-3
Standard Coil	M16 26 Watt
Robust Coil	R16 20 Watt Robust Nut P/N 173804910 (no coil O-rings needed)

Theoretical performance



P103 579E

Schematic

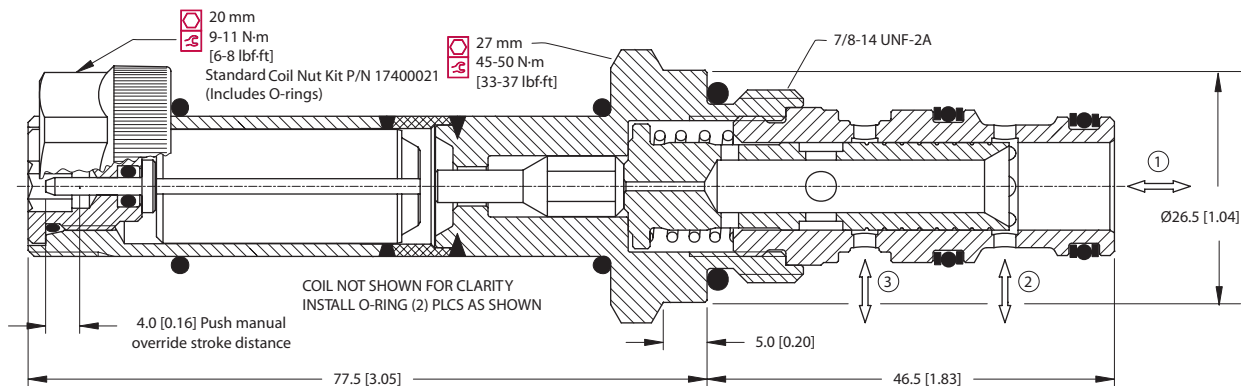


P108 332E

DIMENSIONS

mm [in]

Cross-sectional view



ORDERING INFORMATION

SV10-23-01-12D-DN-B-00

Coil voltage
00 = No Coil
12D = 12 VDC (Standard Coil)
24D = 24 VDC (Standard Coil)
R12D = 12 VDC (R-Coil)
R24D = 24 VDC (R-Coil)
Coil termination:
00 = No Coil
FL = Flying Lead
DN = DIN 43650 *
DE = Deutsch
AJ = Amp Junior *
SP = Spade *
AS = AMP SuperSeal 1.5 and Metri-Pack 150 type 1

Body and ports
00 = Cartridge only
6S = Al, #6 SAE
8S = Al, #8 SAE
SE3B = Al, 3/8 BSP
SE4B = Al, 1/2 BSP
Other housings available
Seals
B = Buna-N
V = Viton

Body Nomenclature
No Body
CP10-3-6S
CP10-3-8S
SDC10-3-SE3B
SDC10-3-SE4B

Seals kit
354004210
354003719

P103 440E

* These terminations are not available on robust coil (R12D, R24D)

OPERATION

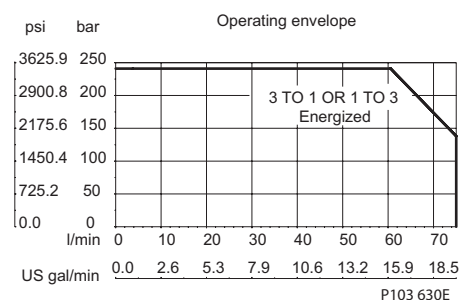
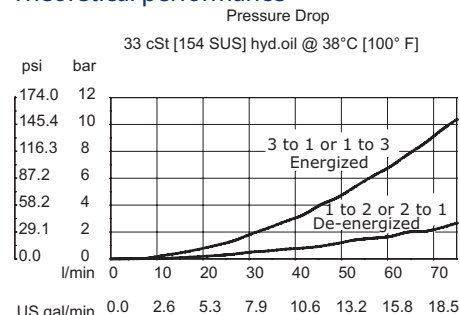
This is a direct-acting, 2-position, 3-way, spool-type solenoid valve.

SPECIFICATIONS

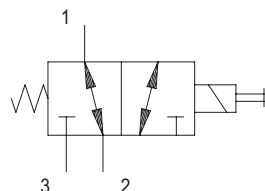
Specifications

Rated pressure	240 bar [3500 psi]
Rated flow at 7 bar [100 psi]	60 l/min [16 US gal/min]
Weight	0.80 kg [1.76 lb]
Cavity	CP12-3
Standard Coil	D14E 30Watt
Coil nut	321567

Theoretical performance



Schematic

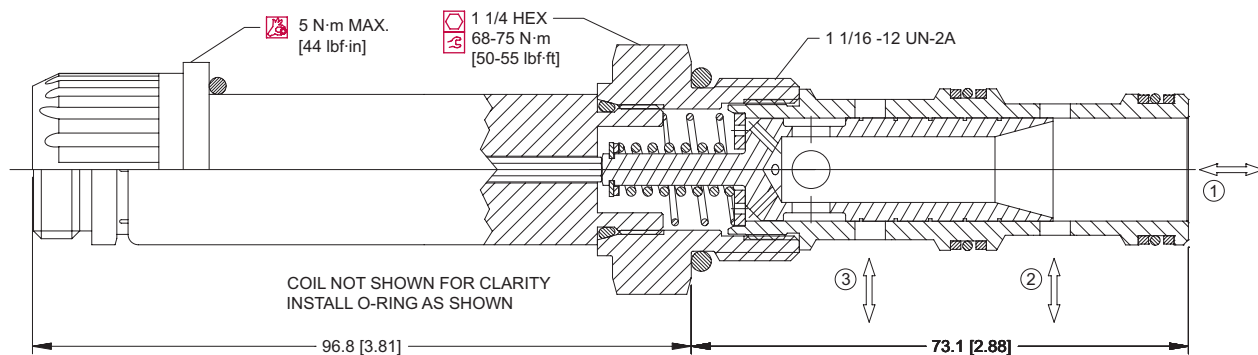


P108 332E

DIMENSIONS

mm [in]

Cross-sectional view



P103 629E

ORDERING INFORMATION

CP521-21-B-10S-24D-S

Seals

B = Buna-N
V = Viton

Seal kit
120053
120052

Housing and ports

0 = No Housing
4B = AL, 1/2 BSP
6B = AL, 3/4 BSP
10S = AL, #10 SAE
12S = AL, #12 SAE

Housing P/N

No Housing
CP12-3-4B
CP12-3-6B
CP12-3-10S
CP12-3-12S

Termination

0 = No connector
S = Spade
L = Lead wire
H = DIN 43640
M2 = Metripak 150 Type 1
DE = Deutsch
AJ = Amp Junior

Coil Voltage

000 = No coil
12D = 12 VDC
24D = 24 VDC

Solenoid valves
CP521-21

P103 631E

OPERATION

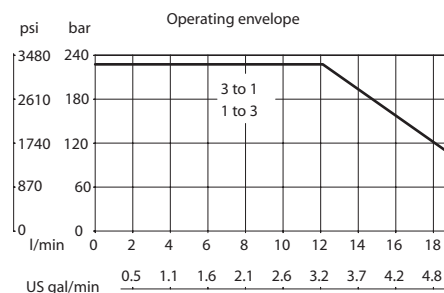
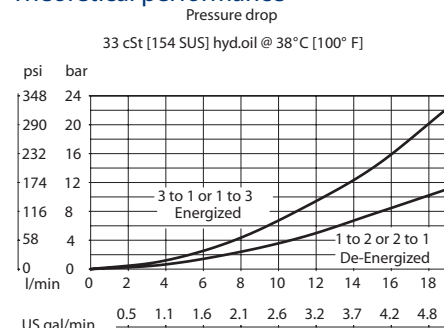
This is a direct-acting, 2-position, 3-way, spool-type solenoid valve.

SPECIFICATIONS

Specifications

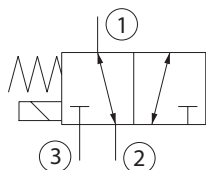
Rated pressure	230 bar [3300 psi]
Rated flow at 7 bar [100 psi]	10 l/min [3 US gal/min]
Weight	0.31 kg [0.68 lb]
Cavity	SDC08-3
Standard Coil	M13 20 Watt
Robust Coil	R13 16 Watt Robust Nut P/N 173804910 (no coil O-rings needed)

Theoretical performance



P103 565E

Schematic

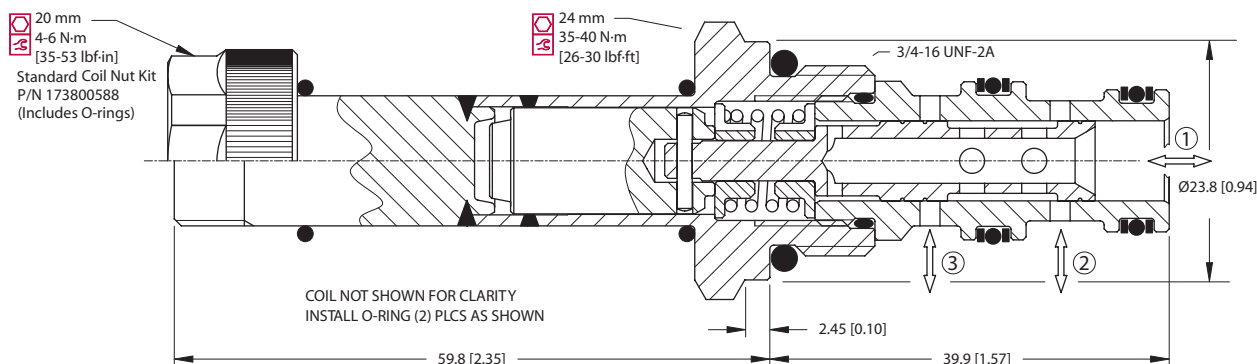


P108 285

DIMENSIONS

mm [in]

Cross-sectional view



P103 464

ORDERING INFORMATION

SV08-23-02-12D-DN-B-00

Coil voltage
00 = No Coil
12D = 12 VDC (Standard Coil)
24D = 24 VDC (Standard Coil)
R12D = 12 VDC (R-Coil)
R24D = 24 VDC (R-Coil)

Coil termination:
00 = No Coil
FL = Flying Lead
DN = DIN 43650 *
DE = Deutsch
AJ = Amp Junior *
SP = Spade *
AS = AMP SuperSeal 1.5 and Metri-Pack 150 type 1

Body and ports
00 = Cartridge only
SE2B = Al, 1/4 BSP
SE3B = Al, 3/8 BSP
4S = Al, #4 SAE
6S = Al, #6 SAE
Other housings available

Seals
B = Buna-N
V = Viton

Body Nomenclature
No Body
SDC08-3-SE2B
SDC08-3-SE3B
CP08-3-4S
CP08-3-6S

P103 426E

* These terminations are not available on robust coil (R12D, R24D)

OPERATION

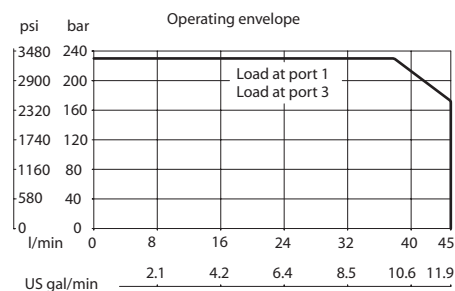
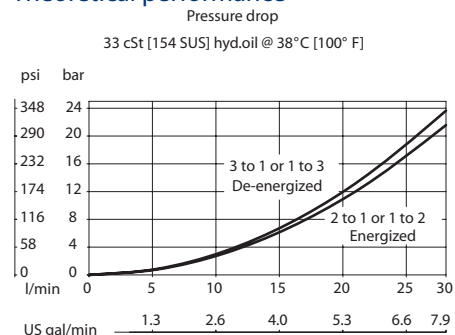
This is a direct-acting, 2-position, 3-way, spool-type solenoid valve.

SPECIFICATIONS

Specifications

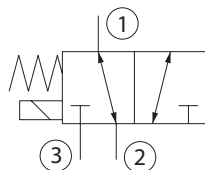
Rated pressure	230 bar [3300 psi]
Rated flow at 7 bar [100 psi]	15 l/min [4 US gal/min]
Weight	0.42 kg [0.93 lb]
Cavity	SDC10-3
Standard Coil	M16 26 Watt
Robust Coil	R16 20 Watt Robust Nut P/N 173804910 (no coil O-rings needed)

Theoretical performance



P103 580E

Schematic

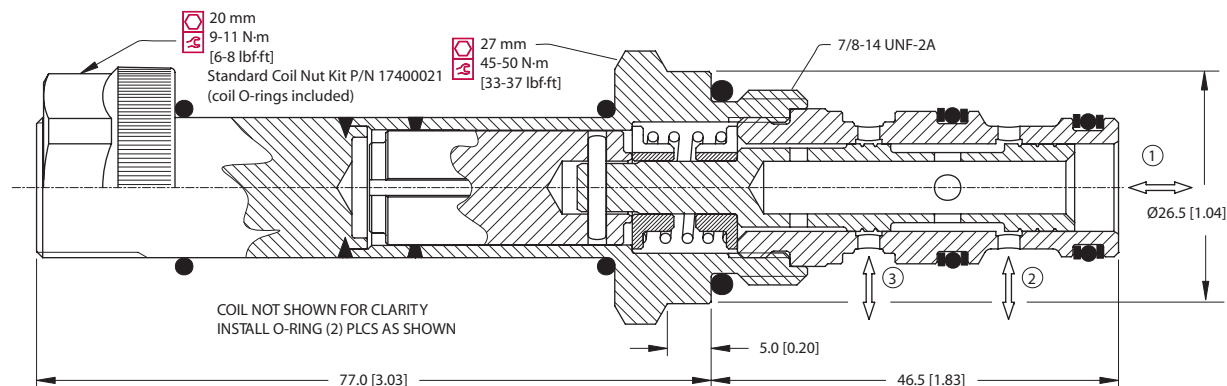


P102 720

DIMENSIONS

mm [in]

Cross-sectional view



ORDERING INFORMATION

SV10-23-02-12D-DN-B-00

Coil voltage

- 00 = No Coil
- 12D = 12 VDC (Standard Coil)
- 24D = 24 VDC (Standard Coil)
- R12D = 12 VDC (R-Coil)
- R24D = 24 VDC (R-Coil)

Coil termination:

- 00 = No Coil
- FL = Flying Lead
- DN = DIN 43650 *
- DE = Deutsch
- AJ = Amp Junior *
- SP = Spade *
- AS = AMP SuperSeal 1.5 and Metri-Pack 150 type 1

Body and ports

- 00 = Cartridge only
- 6S = Al, #6 SAE
- 8S = Al, #8 SAE
- SE3B = Al, 3/8 BSP
- SE4B = Al, 1/2 BSP
- Other housings available

Seals

- B = Buna-N
- V = Viton

Seals kit

- 354004210
- 354003719

Body Nomenclature

- No Body
- CP10-3-6S
- CP10-3-8S
- SDC10-3-SE3B
- SDC10-3-SE4B

P103 441E

* These terminations are not available on robust coil (R12D, R24D)

Solenoid valves
SV10-23-02

OPERATION

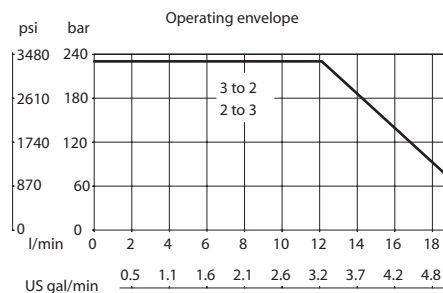
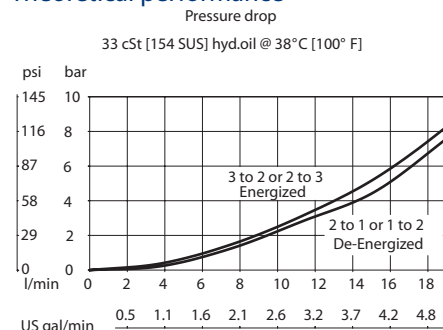
This is a direct-acting, 2-position, 3-way, spool-type solenoid valve.

SPECIFICATIONS

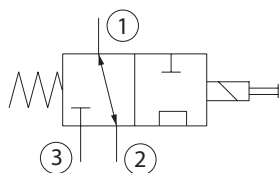
Specifications

Rated pressure	230 bar [3300 psi]
Rated flow at 7 bar [100 psi]	18 l/min [5 US gal/min]
Weight	0.31 kg [0.68 lb]
Cavity	SDC08-3
Standard Coil	M13 20 Watt
Robust Coil	R13 16 Watt Robust Nut P/N 173804910 (no coil O-rings needed)

Theoretical performance



Schematic



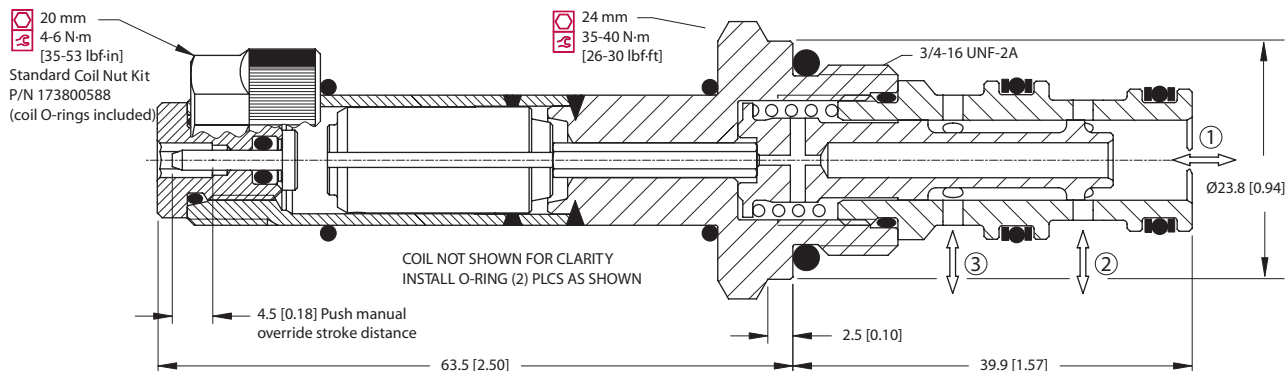
P108 264

P103 566E

DIMENSIONS

mm [in]

Cross-sectional view



P103 465

ORDERING INFORMATION

SV08-23-03-12D-DN-B-00

Coil voltage

- 00 = No Coil
- 12D = 12 VDC (Standard Coil)
- 24D = 24 VDC (Standard Coil)
- R12D = 12 VDC (R-Coil)
- R24D = 24 VDC (R-Coil)

Coil termination:

- 00 = No Coil
- FL = Flying Lead
- DN = DIN 43650 *
- DE = Deutsch
- AJ = Amp Junior *
- SP = Spade *
- AS = AMP SuperSeal 1.5 and Metri-Pack 150 type 1

Body and ports

- 00 = Cartridge only
- SE2B = Al, 1/4 BSP
- SE3B = Al, 3/8 BSP
- 4S = Al, #4 SAE
- 6S = Al, #6 SAE
- Other housings available

- Seals**
B = Buna-N
V = Viton
- Seals kit**
354003210
354003819

Body Nomenclature

- No Body
- SDC08-3-SE2B
- SDC08-3-SE3B
- CP08-3-4S
- CP08-3-6S

P103 427E

* These terminations are not available on robust coil (R12D, R24D)

OPERATION

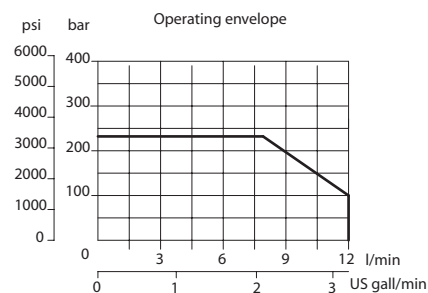
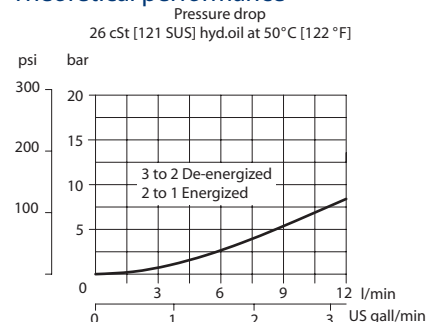
This is a direct-acting, 2-position, 3-way, spool-type solenoid valve.

SPECIFICATIONS

Specifications

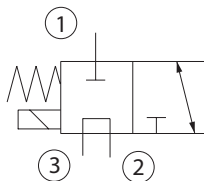
Rated pressure	230 bar [3300 psi]
Rated flow at 7 bar [100 psi]	10 l/min [3 US gal/min]
Weight	0.31 kg [0.68 lb]
Cavity	SDC08-3
Standard Coil	M13 20 Watt
Robust Coil	R13 16 Watt Robust Nut P/N 173804910 (no coil O-rings needed)

Theoretical performance



P103 567E

Schematic

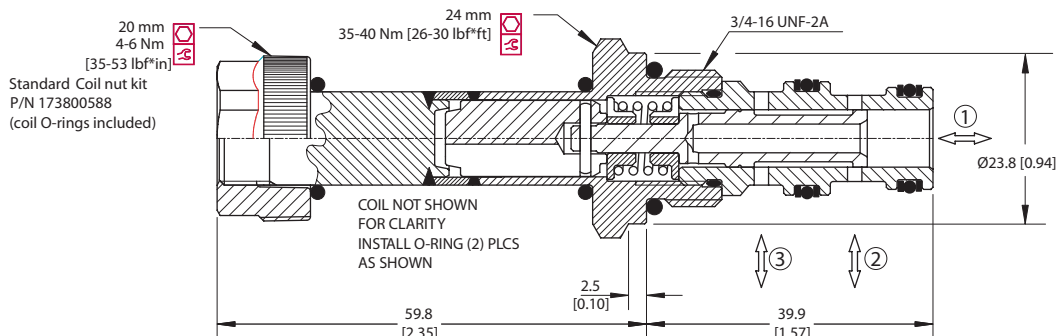


P108 265

DIMENSIONS

mm [in]

Cross-sectional view



P103 466

ORDERING INFORMATION

SV08-23-04-12D-DN-B-00

Coil voltage
00 = No Coil
12D = 12 VDC (Standard Coil)
24D = 24 VDC (Standard Coil)
R12D = 12 VDC (R-Coil)
R24D = 24 VDC (R-Coil)

Coil termination:
00 = No Coil
FL = Flying Lead
DN = DIN 43650 *
DE = Deutsch
AJ = Amp Junior *
SP = Spade *
AS = AMP SuperSeal 1.5 and Metri-Pack 150 type 1

Body and ports
00 = Cartridge only
SE2B = Al, 1/4 BSP
SE3B = Al, 1/4 BSP
4S = Al, #4 SAE
6S = Al, #6 SAE
Other housings available

Seals
B = Buna-N
V = Viton

Body Nomenclature
No Body
SDC08-3-SE2B
SDC08-3-SE3B
CP08-3-4S
CP08-3-6S

P103 428E

* These terminations are not available on robust coil (R12D, R24D)

Solenoid valves
SV08-23-04

OPERATION

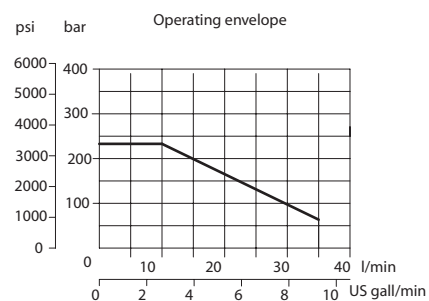
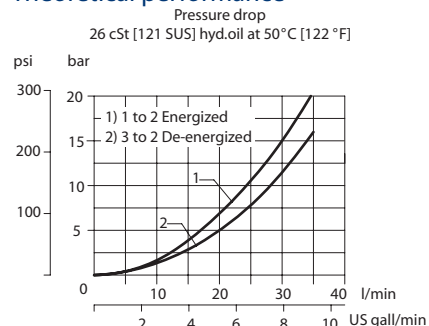
This is a direct-acting, 2-position, 3-way, spool-type solenoid valve.

SPECIFICATIONS

Specifications

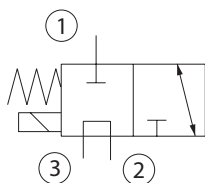
Rated pressure	230 bar [3300 psi]
Rated flow at 7 bar [100 psi]	20 l/min [5 US gal/min]
Weight	0.42 kg [0.93 lb]
Cavity	SDC10-3
Standard Coil	M16 26 Watt
Robust Coil	R16 20 Watt Robust Nut P/N 173804910 (no coil O-rings needed)

Theoretical performance



P103 581E

Schematic

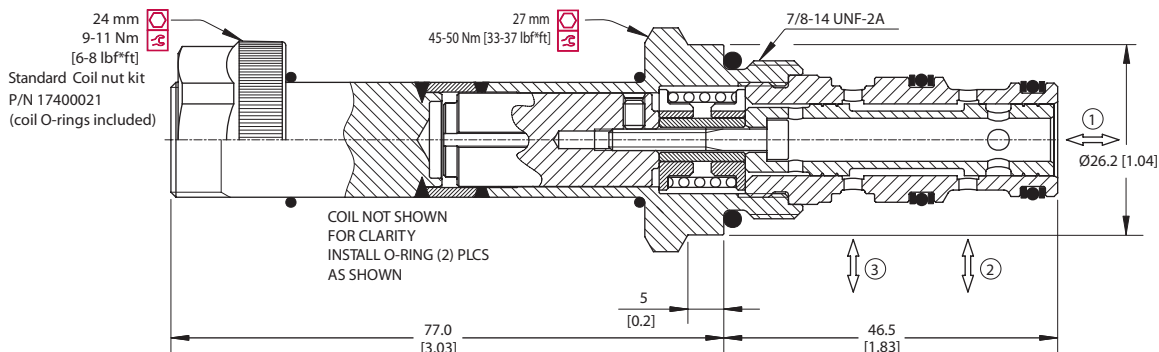


P108 265

DIMENSIONS

mm [in]

Cross-sectional view



P103 480

ORDERING INFORMATION

SV10-23-04-12D-DN-B-00

Coil voltage

- 00 = No Coil
- 12D = 12 VDC (Standard Coil)
- 24D = 24 VDC (Standard Coil)
- R12D = 12 VDC (R-Coil)
- R24D = 24 VDC (R-Coil)

Coil termination:

- 00 = No Coil
- FL = Flying Lead
- DN = DIN 43650 *
- DE = Deutsch
- AJ = Amp Junior *
- SP = Spade *
- AS = AMP SuperSeal 1.5 and Metri-Pack 150 type 1

Body and ports

- 00 = Cartridge only
- 6S = Al, #6 SAE
- 8S = Al, #8 SAE
- L3B = Al, 3/8 BSP
- L4B = Al, 1/2 BSP
- Other housings available

- Seals kit**
- B = Buna-N 354004210
 - V = Viton 354003719

Body Nomenclature

- No Body
- CP10-3-6S
- CP10-3-8S
- SDC10-3-SE3B
- SDC10-3-SE4B

P103 440E

* These terminations are not available on robust coil (R12D, R24D)

Solenoid valves
SV10-23-04

OPERATION

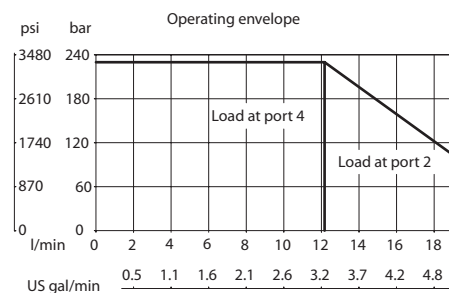
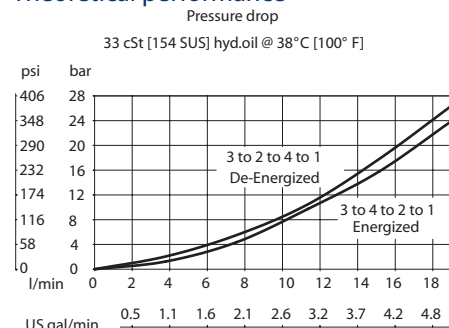
This is a direct-acting, 2-position, 4-way, spool-type solenoid valve.

SPECIFICATIONS

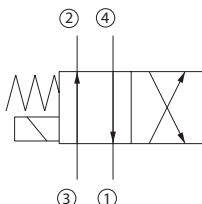
Specifications

Rated pressure	230 bar [3300 psi]
Rated flow at 7 bar [100 psi]	8 l/min [2 US gal/min]
Weight	0.32 kg [0.71 lb]
Cavity	SDC08-4
Standard Coil	M13 20 Watt
Robust Coil	R13 16 Watt Robust Nut P/N 173804910 (no coil O-rings needed)

Theoretical performance



Schematic

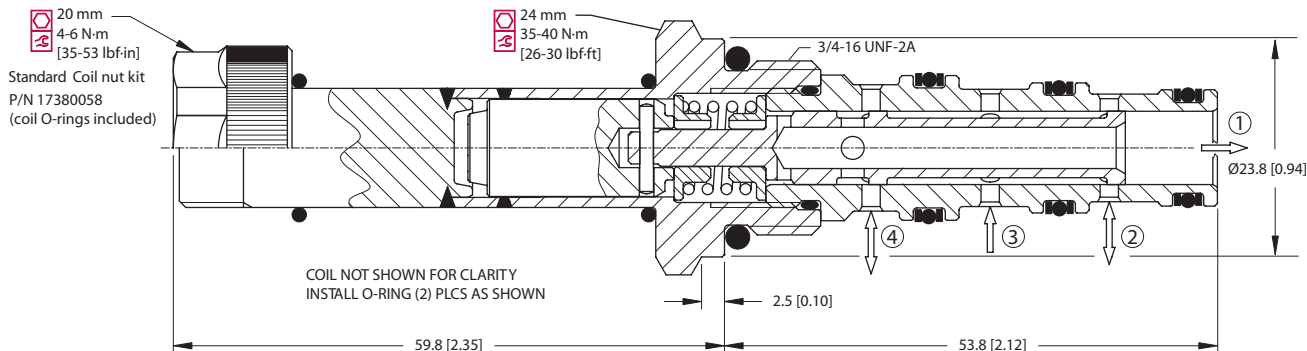


P108266

DIMENSIONS

mm [in]

Cross-sectional view



P103 467

ORDERING INFORMATION

SV08-24-01-12D-DN-B-00

Coil voltage

- 00 = No Coil
- 12D = 12 VDC (Standard Coil)
- 24D = 24 VDC (Standard Coil)
- R12D = 12 VDC (R-Coil)
- R24D = 24 VDC (R-Coil)

Coil termination:

- 00 = No Coil
- FL = Flying Lead
- DN = DIN 43650 *
- DE = Deutsch
- AJ = Amp Junior *
- SP = Spade *
- AS = AMP SuperSeal 1.5 and Metri-Pack 150 type 1

Body and ports

- 00 = Cartridge only
- 4S = Al, #4 SAE
- 6S = Al, #6 SAE
- L2B = Al, 1/4 BSP
- Other housings available

Body Nomenclature

- No Body
- CP08-4-4S
- CP08-4-6S
- SDC08-4-L2B

Seals

- B = Buna-N
- V = Viton

Seals kit

- 354003319
- 354003919

P103 429E

* These terminations are not available on robust coil (R12D, R24D)

OPERATION

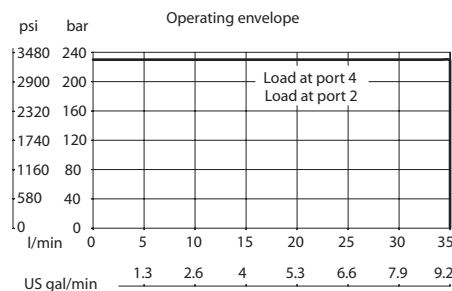
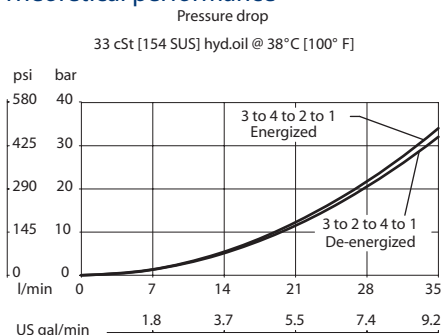
This is a direct-acting, 2-position, 4-way, spool-type solenoid valve.

SPECIFICATIONS

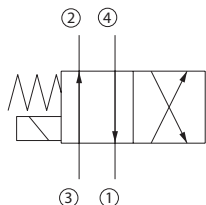
Specifications

Rated pressure	230 bar [3300 psi]
Rated flow at 7 bar [100 psi]	15 l/min [4 US gal/min]
Weight	0.45 kg [0.99 lb]
Cavity	SDC10-4
Standard Coil	M16 26 Watt
Robust Coil	R16 20 Watt Robust Nut P/N 173804910 (no coil O-rings needed)

Theoretical performance



Schematic

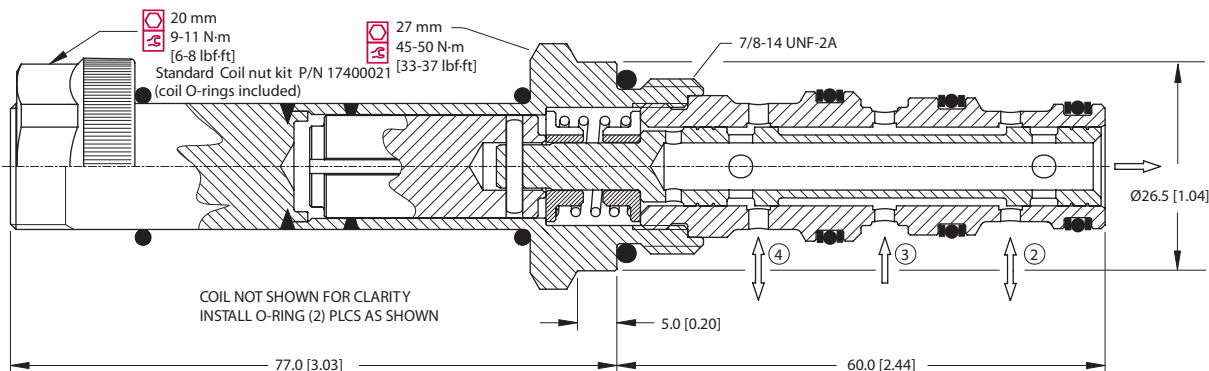


P108266

DIMENSIONS

mm [in]

Cross-sectional view



P103 484

ORDERING INFORMATION

SV10-24-01-12D-DN-B-00

Coil voltage

- 00 = No Coil
- 12D = 12 VDC (Standard Coil)
- 24D = 24 VDC (Standard Coil)
- R12D = 12 VDC (R-Coil)
- R24D = 24 VDC (R-Coil)

Coil termination:

- 00 = No Coil
- FL = Flying Lead
- DN = DIN 43650 *
- DE = Deutsch
- AJ = Amp Junior *
- SP = Spade *
- AS = AMP SuperSeal 1.5 and Metri-Pack 150 type 1

Body and ports

- 00 = Cartridge only
- 6S = Al, #6 SAE
- 8S = Al, #8 SAE
- L3B = Al, 3/8 BSP
- L4B = Al, 1/2 BSP
- Other housings available

- Seals**
- B = Buna-N 354001919
 - V = Viton 354002019

Body Nomenclature

- No Body
- CP10-4-6S
- CP10-4-8S
- SDC10-4-L3B
- SDC10-4-L4B

P103 443E

* These terminations are not available on robust coil (R12D, R24D)

Solenoid valves
SV10-24-01

OPERATION

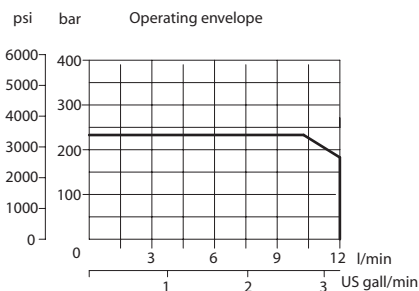
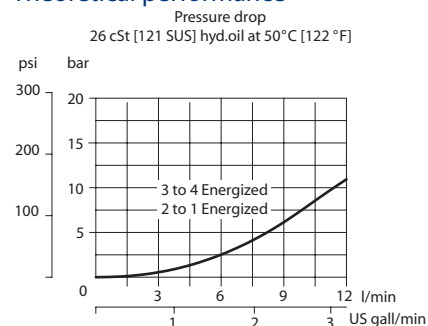
This is a direct-acting, 2-position, 4-way, spool-type solenoid valve.

SPECIFICATIONS

Specifications

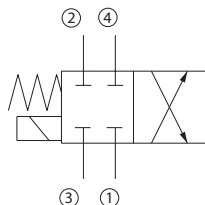
Rated pressure	230 bar [3300 psi]
Rated flow at 7 bar [100 psi]	10 l/min [3 US gal/min]
Weight	0.31 kg [0.68 lb]
Cavity	SDC08-4
Standard Coil	M13 20 Watt
Robust Coil	R13 16 Watt Robust Nut P/N 173804910 (no coil O-rings needed)

Theoretical performance



P103 570E

Schematic

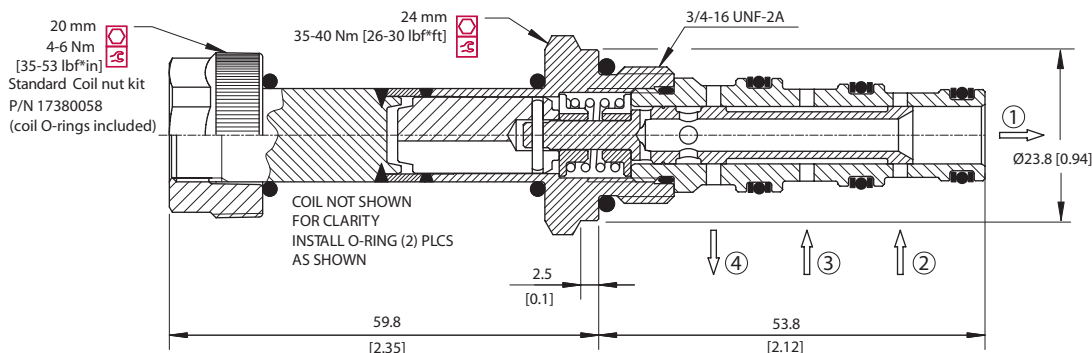


P108268

DIMENSIONS

mm [in]

Cross-sectional view



P103 468

ORDERING INFORMATION

SV08-24-02-12D-DN-B-00

Coil voltage

- 00 = No Coil
- 12D = 12 VDC (Standard Coil)
- 24D = 24 VDC (Standard Coil)
- R12D = 12 VDC (R-Coil)
- R24D = 24 VDC (R-Coil)

Coil termination:

- 00 = No Coil
- FL = Flying Lead
- DN = DIN 43650 *
- DE = Deutsch
- AJ = Amp Junior *
- SP = Spade *
- AS = AMP SuperSeal 1.5 and Metri-Pack 150 type 1

Body and ports

- 00 = Cartridge only
- 4S = Al, #4 SAE
- 6S = Al, #6 SAE
- L2B = Al, 1/4 BSP
- Other housings available

Seals

- B = Buna-N
- V = Viton

Seals kit

- 354003319
- 354003919

Body Nomenclature

- No Body
- CP08-4-4S
- CP08-4-6S
- SDC08-4-L2B

P103 430E

* These terminations are not available on robust coil (R12D, R24D)

OPERATION

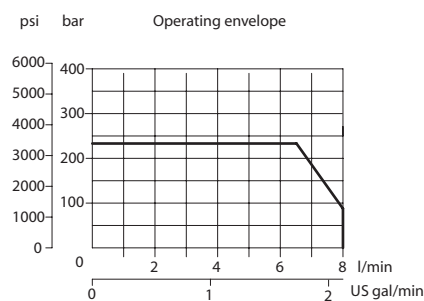
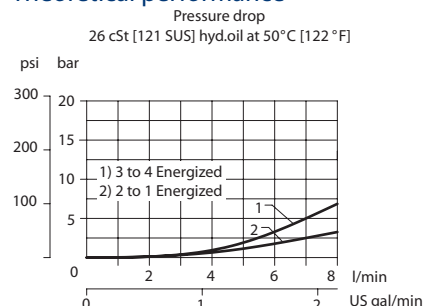
This is a direct-acting, 2-position, 4-way, spool-type solenoid valve.

SPECIFICATIONS

Specifications

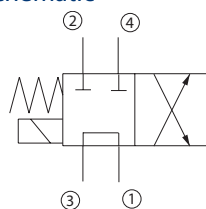
Rated pressure	230 bar [3300 psi]
Rated flow at 7 bar [100 psi]	8 l/min [2 US gal/min]
Weight	0.31 kg [0.68 lb]
Cavity	SDC08-4
Standard Coil	M13 20 Watt
Robust Coil	R13 16 Watt Robust Nut P/N 173804910 (no coil O-rings needed)

Theoretical performance



P103 571E

Schematic

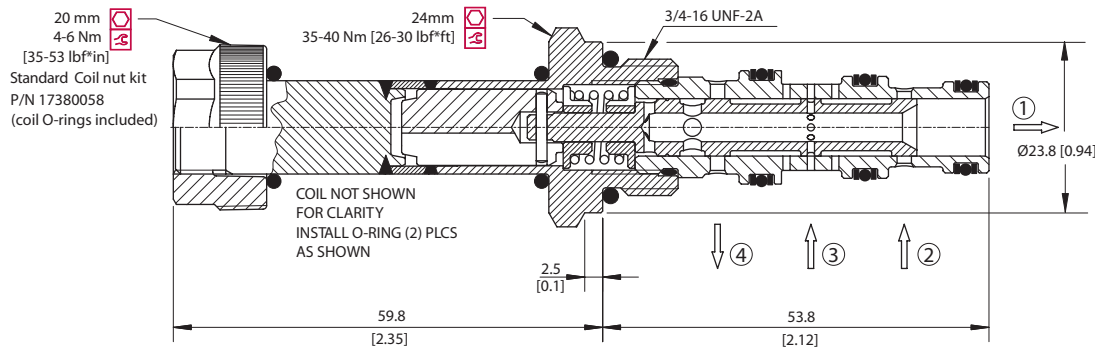


P108271

DIMENSIONS

mm [in]

Cross-sectional view



P103 470

ORDERING INFORMATION

SV08-24-04-12D-DN-B-00

Coil voltage

00 = No Coil
12D = 12 VDC (Standard Coil)
24D = 24 VDC (Standard Coil)
R12D = 12 VDC (R-Coil)
R24D = 24 VDC (R-Coil)

Coil termination:

00 = No Coil
FL = Flying Lead
DN = DIN 43650 *
DE = Deutsch
AJ = Amp Junior *
SP = Spade *
AS = AMP SuperSeal 1.5 and Metri-Pack 150 type 1

Body and ports

00 = Cartridge only
4S = Al, #4 SAE
6S = Al, #6 SAE
L2B = Al, 1/4 BSP
Other housings available

Seals
B = Buna-N
V = Viton

Seals kit
354003319
354003419

Body Nomenclature

No Body
CP08-4-4S
CP08-4-6S
SDC08-4-L2B

P103 432E

* These terminations are not available on robust coil (R12D, R24D)

Solenoid valves
SV24-24-04

OPERATION

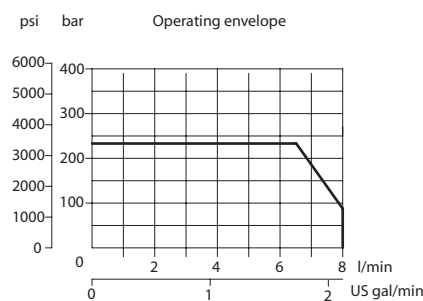
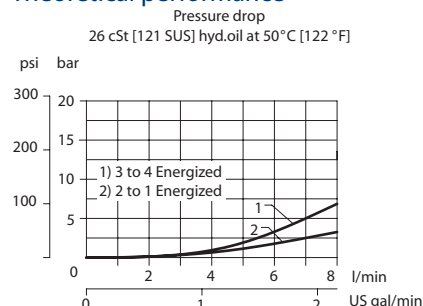
This is a direct-acting, 2-position, 4-way, spool-type solenoid valve.

SPECIFICATIONS

Specifications

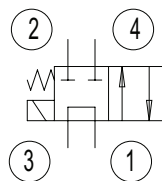
Rated pressure	230 bar [3300 psi]
Rated flow at 7 bar [100 psi]	8 l/min [2 US gal/min]
Weight	0.31 kg [0.68 lb]
Cavity	SDC08-4
Standard Coil	M13 20 Watt
Robust Coil	R13 16 Watt Robust Nut P/N 173804910 (no coil O-rings needed)

Theoretical performance



P103 571E

Schematic

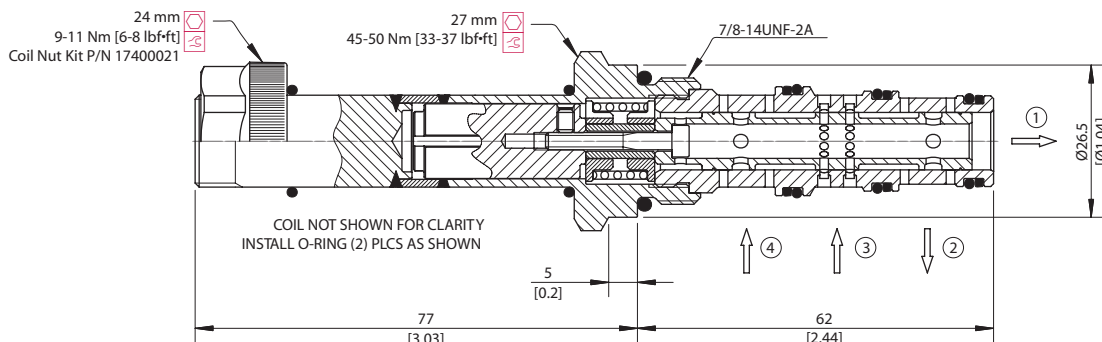


P108 393E

DIMENSIONS

mm [in]

Cross-sectional view



P103 552

ORDERING INFORMATION

SV08-24-04-12D-DN-B-00

Coil voltage

- 00 = No Coil
- 12D = 12 VDC (Standard Coil)
- 24D = 24 VDC (Standard Coil)
- R12D = 12 VDC (R-Coil)
- R24D = 24 VDC (R-Coil)

Coil termination:

- 00 = No Coil
- FL = Flying Lead
- DN = DIN 43650 *
- DE = Deutsch
- AJ = Amp Junior *
- SP = Spade *
- AS = AMP SuperSeal 1.5 and Metri-Pack 150 type 1

Body and ports

- 00 = Cartridge only
- 4S = Al, #4 SAE
- 6S = Al, #6 SAE
- L2B = Al, 1/4 BSP
- Other housings available

- Seals**
- B = Buna-N 354003319
 - V = Viton 354003419

Body Nomenclature

- No Body
- CP08-4-4S
- CP08-4-6S
- SDC08-4-L2B

P103 432E

* These terminations are not available on robust coil (R12D, R24D)

OPERATION

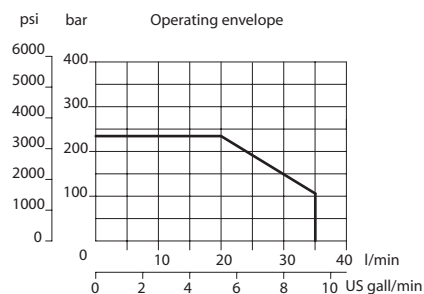
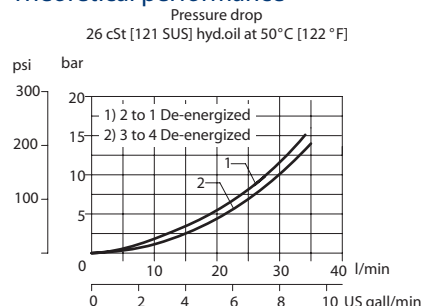
This is a direct-acting, 2-position, 4-way, spool-type solenoid valve.

SPECIFICATIONS

Specifications

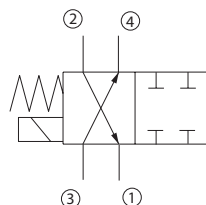
Rated pressure	230 bar [3300 psi]
Rated flow at 7 bar [100 psi]	25 l/min [7 US gal/min]
Weight	0.45 kg [0.99 lb]
Cavity	SDC10-4
Standard Coil	M16 26 Watt
Robust Coil	R16 20 Watt Robust Nut P/N 173804910 (no coil O-rings needed)

Theoretical performance



P103 583E

Schematic

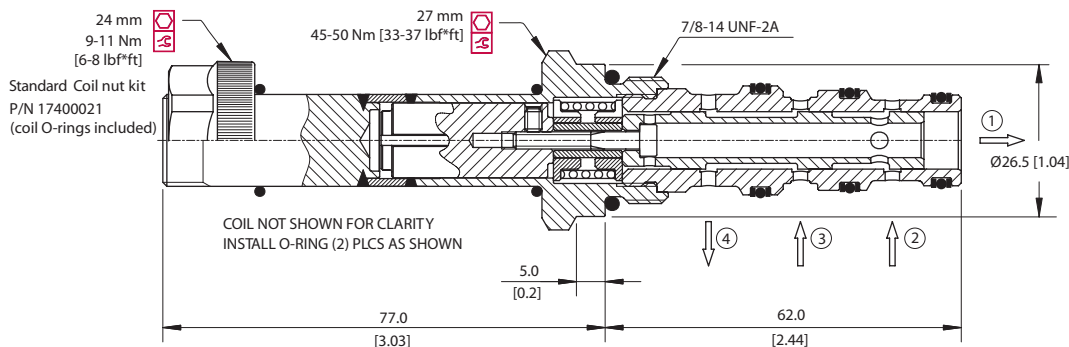


P108270

DIMENSIONS

mm [in]

Cross-sectional view



P103 481

ORDERING INFORMATION

SV10-24-05-12D-DN-B-00

Coil voltage

- 00 = No Coil
- 12D = 12 VDC (Standard Coil)
- 24D = 24 VDC (Standard Coil)
- R12D = 12 VDC (R-Coil)
- R24D = 24 VDC (R-Coil)

Coil termination:

- 00 = No Coil
- FL = Flying Lead
- DN = DIN 43650 *
- DE = Deutsch
- AJ = Amp Junior *
- SP = Spade *
- AS = AMP SuperSeal 1.5 and Metri-Pack 150 type 1

Body and ports

- 00 = Cartridge only
- 6S = Al, #6 SAE
- 8S = Al, #8 SAE
- L3B = Al, 3/8 BSP
- L4B = Al, 1/2 BSP
- Other housings available

- Seals**
- B = Buna-N
 - V = Viton

- Seals kit**
- 354001919
 - 354002019

Body Nomenclature

- No Body
- CP10-4-6S
- CP10-4-8S
- SDC10-4-L3B
- SDC10-4-L4B

P103444E

* These terminations are not available on robust coil (R12D, R24D)

Solenoid valves
SV10-24-05

OPERATION

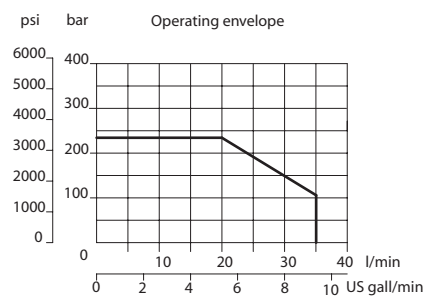
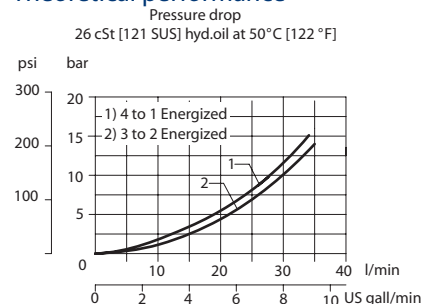
This is a direct-acting, 2-position, 4-way, spool-type solenoid valve.

SPECIFICATIONS

Specifications

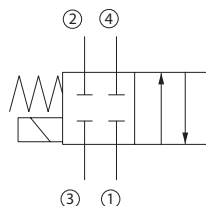
Rated pressure	230 bar [3300 psi]
Rated flow at bar [psi]	24 l/min [6 US gal/min]
Weight	0.45 kg [0.99 lb]
Cavity	SDC10-4
Standard Coil	M16 26 Watt
Robust Coil	R16 20 Watt Robust Nut P/N 173804910 (no coil O-rings needed)

Theoretical performance



P103 585E

Schematic

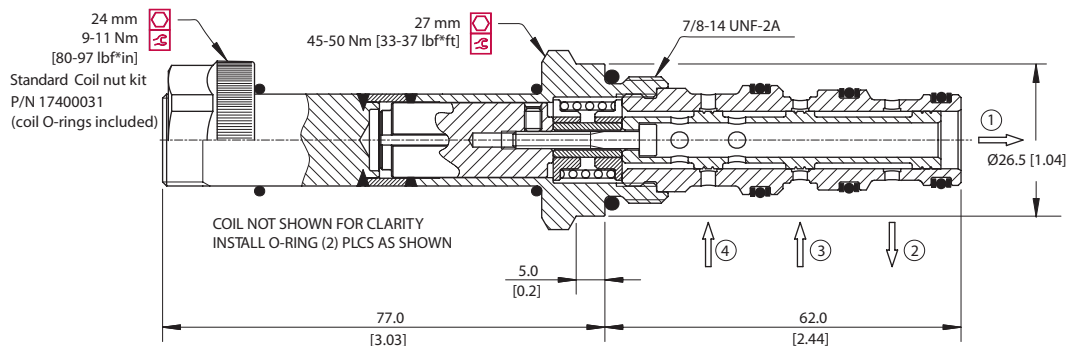


P108273

DIMENSIONS

mm [in]

Cross-sectional view



P103 483

ORDERING INFORMATION

SV10-24-02-12D-DN-B-00

Coil voltage

- 00 = No Coil
- 12D = 12 VDC (Standard Coil)
- 24D = 24 VDC (Standard Coil)
- R12D = 12 VDC (R-Coil)
- R24D = 24 VDC (R-Coil)

Coil termination:

- 00 = No Coil
- FL = Flying Lead
- DN = DIN 43650 *
- DE = Deutsch
- AJ = Amp Junior *
- SP = Spade *
- AS = AMP SuperSeal 1.5 and Metri-Pack 150 type 1

Body and ports

- 00 = Cartridge only
- 6S = Al, #6 SAE
- 8S = Al, #8 SAE
- L3B = Al, 3/8 BSP
- L4B = Al, 1/2 BSP
- Other housings available

Seals

- B = Buna-N
- V = Viton

Seals kit

- 354001919
- 354002019

Body Nomenclature

- No Body
- CP10-4-6S
- CP10-4-8S
- SDC10-4-L3B
- SDC10-4-L4B

P103 446E

* These terminations are not available on robust coil (R12D, R24D)

OPERATION

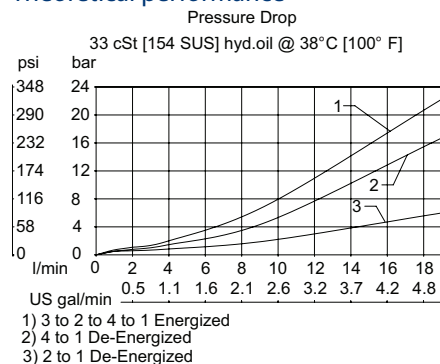
This is a direct-acting, 2-position, 4-way, spool-type solenoid valve.

SPECIFICATIONS

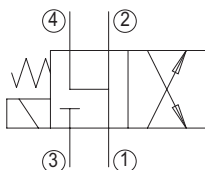
Specifications

Rated pressure	230 bar [3300 psi]
Rated flow at bar [psi]	24 l/min [6 US gal/min]
Weight	0.45 kg [0.99 lb]
Cavity	SDC08-4
Standard Coil	M16 20 Watt
Robust Coil	R16 16 Watt Robust Nut P/N 173804910 (no coil O-rings needed)

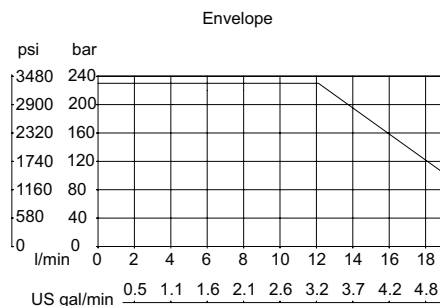
Theoretical performance



Schematic



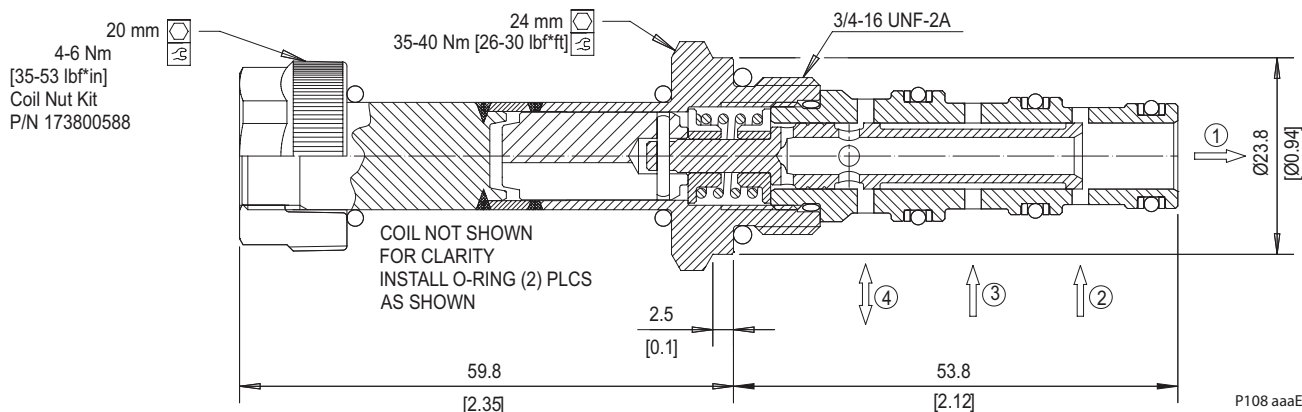
P108 334E



P108 yyyE

DIMENSIONS

mm [in]



P108 aaaE

ORDERING INFORMATION

Coil voltage
00 = No Coil
12D = 12 VDC (Standard Coil)
24D = 24 VDC (Standard Coil)
R12D = 12 VDC (R-Coil)
R24D = 24 VDC (R-Coil)
Coil termination:
00 = No Coil
FL = Flying Lead
DN = DIN 43650 *
DE = Deutsch
AJ = Amp Junior *
SP = Spade *
AS = AMP SuperSeal 1.5 and Metri-Pack 150 type 1

SV08 -24-08-12D - DN -B-00

Body and ports
00 = Cartridge only
4S = Al, #4 SAE
6S = Al, #6 SAE
L2B = Al, 1/4 BSP
Other housings available

Seals kit
B = Buna-N 354003319
V = Viton 354003919

Body Nomenclature
No Body
CP08-4-4S
CP08-4-6S
SDC08-4-L2B

* These terminations are not available on robust coil (R12D, R24D)

P108 zzzE

OPERATION

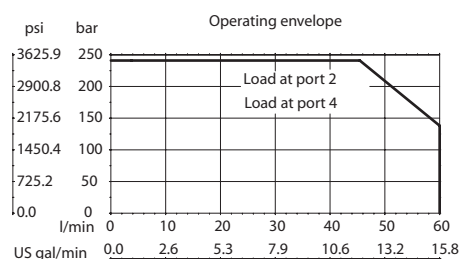
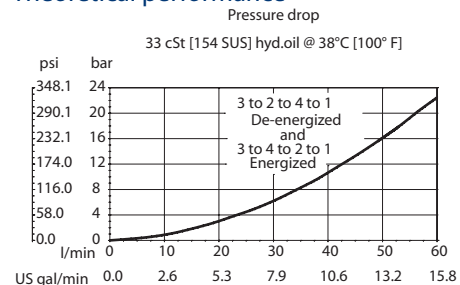
This is a direct-acting, 2-position, 4-way, spool-type solenoid valve.

SPECIFICATIONS

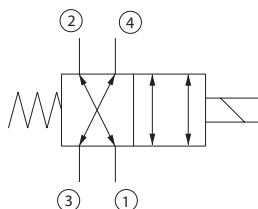
Specifications

Rated pressure	240 bar [3500 psi]
Rated flow at 13 bar [189 psi]	32 l/min [8 US gal/min]
Weight	0.82 kg [1.81 lb]
Cavity	CP12-4
Standard Coil	D14E 30Watt Robust Nut P/N 173804910 (no coil O-rings needed)

Theoretical performance



Schematic



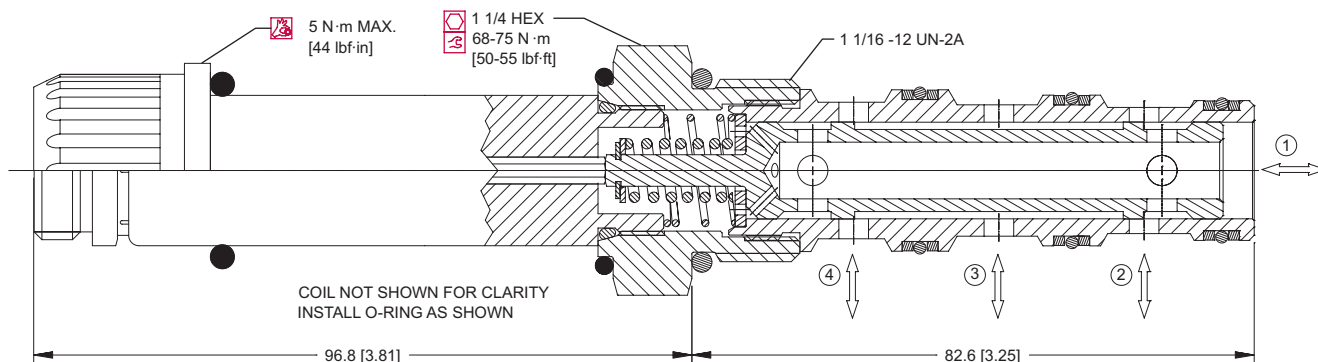
P108267

P103 634E

DIMENSIONS

mm [in]

Cross-sectional view



P103 632E

ORDERING INFORMATION

CP531-21-B-10S-24D-S

Seals
B = Buna-N
V = Viton
Seal kit 120262
120263

Housing and ports
0 = No Housing
3B = AL, 3/8 BSP
4B = AL, 1/2 BSP
10S = AL, #10 SAE
12S = AL, #12 SAE
Other housings available

Housing P/N
No Housing
CP12-4-3B
CP12-4-4B
CP12-4-10S
CP12-4-12S

Termination
0 = No connector
S = Spade
L = Lead wire
H = DIN 43650
M2 = Metripak 150, Type 1
DE = Deutsch
AJ = Amp Junior

Coil Voltage
000 = No coil
12D = 12 VDC
24D = 24 VDC

P103 633E

OPERATION

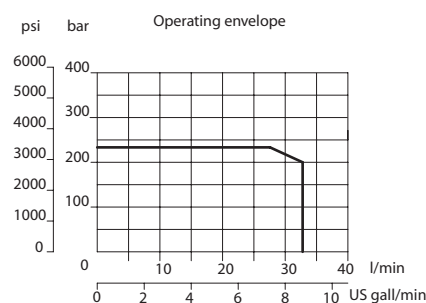
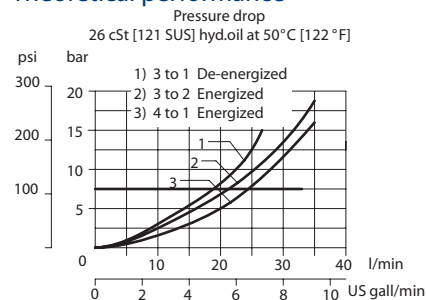
This is a direct-acting, 2-position, 4-way, spool-type solenoid valve.

SPECIFICATIONS

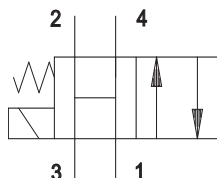
Specifications

Rated pressure	230 bar [3300 psi]
Rated flow at 7 bar [100 psi]	21 l/min [6 US gal/min]
Weight	0.45 kg [0.99 lb]
Cavity	SDC10-4
Standard Coil	M16 26 Watt
Robust Coil	R16 20 Watt Robust Nut P/N 173804910 (no coil O-rings needed)

Theoretical performance



Schematic

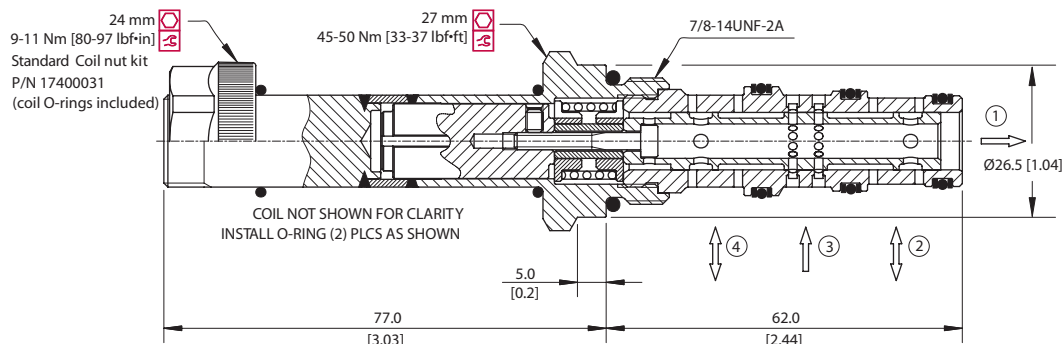


P108 333E

DIMENSIONS

mm [in]

Cross-sectional view



P103 553

ORDERING INFORMATION

SV10-24-13-12D-DN-B-00

Coil voltage

- 00 = No Coil
- 12D = 12 VDC (Standard Coil)
- 24D = 24 VDC (Standard Coil)
- R12D = 12 VDC (R-Coil)
- R24D = 24 VDC (R-Coil)

Coil termination:

- 00 = No Coil
- FL = Flying Lead
- DN = DIN 43650 *
- DE = Deutsch
- AJ = Amp Junior *
- SP = Spade *
- AS = AMP SuperSeal 1.5 and Metri-Pack 150 type 1

Body and ports

- 00 = Cartridge only
- 6S = Al, #6 SAE
- 8S = Al, #8 SAE
- L3B = Al, 3/8 BSP
- L4B = Al, 1/2 BSP
- Other housings available

- Seals**
- B = Buna-N
 - V = Viton

- Seals kit**
- 354001919
 - 354002019

Body Nomenclature

- No Body
- CP10-4-6S
- CP10-4-8S
- SDC10-4-L3B
- SDC10-4-L4B

P103 448E

* These terminations are not available on robust coil (R12D, R24D)

Solenoid valves
SV10-24-13

OPERATION

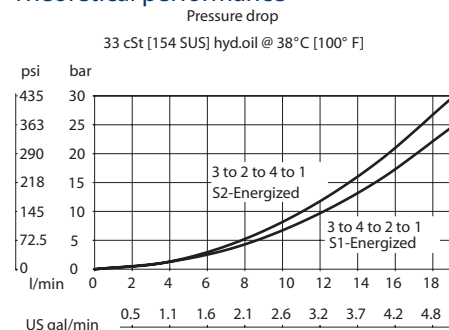
This is a direct-acting, 3-position, 4-way, spool-type solenoid valve.

SPECIFICATIONS

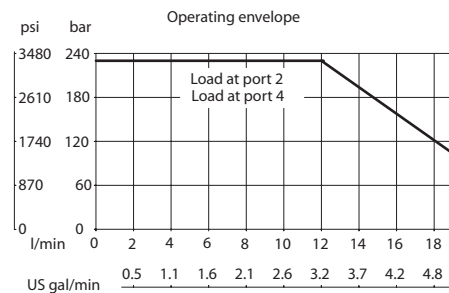
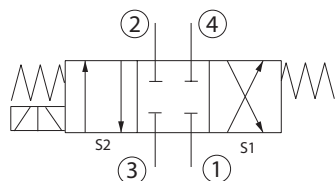
Specifications

Rated pressure	230 bar [3300 psi]
Rated flow at 7 bar [100 psi]	10 l/min [3 US gal/min]
Weight	0.55 kg [1.21 lb]
Cavity	SDC08-4
Standard Coil	M13 20 Watt
Robust Coil	R13 16 Watt Robust Nut P/N 173804910 (no coil O-rings needed)

Theoretical performance



Schematic

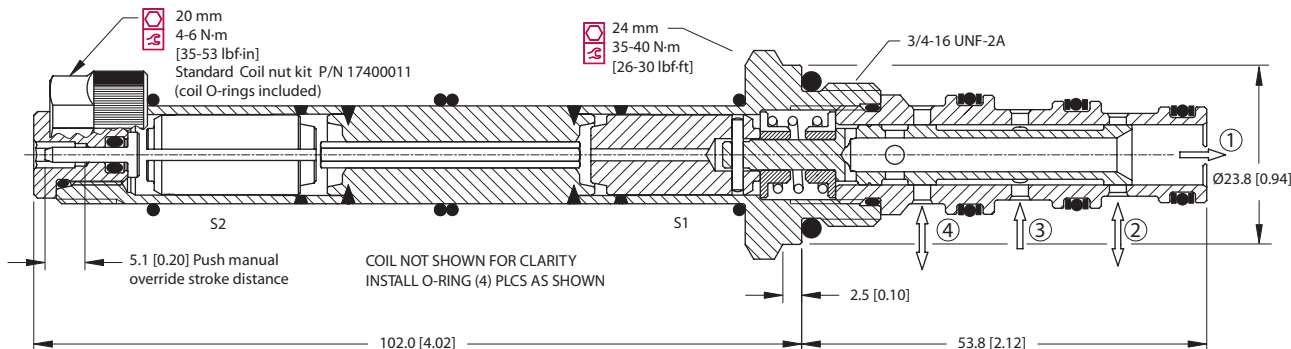


P103 573E

DIMENSIONS

mm [in]

Cross-sectional view



P103 472

ORDERING INFORMATION

SV08-34-02-12D-DN-B-00

Coil voltage

- 00 = No Coil
- 12D = 12 VDC (Standard Coil)
- 24D = 24 VDC (Standard Coil)
- R12D = 12 VDC (R-Coil)
- R24D = 24 VDC (R-Coil)

Coil termination:

- 00 = No Coil
- FL = Flying Lead
- DN = DIN 43650 *
- DE = Deutsch
- AJ = Amp Junior *
- SP = Spade *
- AS = AMP SuperSeal 1.5 and Metri-Pack 150 type 1

Body and ports

- 00 = Cartridge only
- 4S = Al, #4 SAE
- 6S = Al, #6 SAE
- L2B = Al, 1/4 BSP
- Other housings available

Body Nomenclature

- No Body
- CP08-4-4S
- CP08-4-6S
- SDC08-4-L2B

Seals

- B = Buna-N
- V = Viton

Seals kit

- 354003319
- 354003919

P103 434E

* These terminations are not available on robust coil (R12D, R24D)

Solenoid valves
SV08-34-02

OPERATION

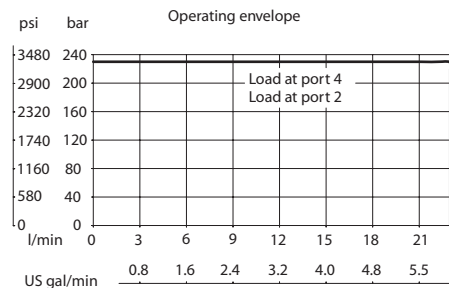
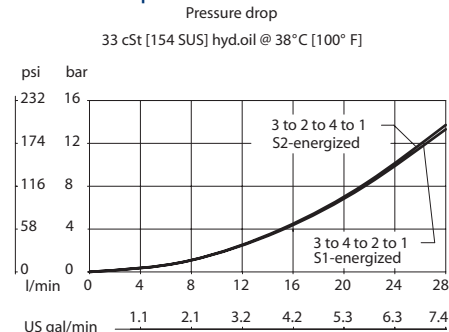
This is a direct-acting, 3-position, 4-way, spool-type solenoid valve.

SPECIFICATIONS

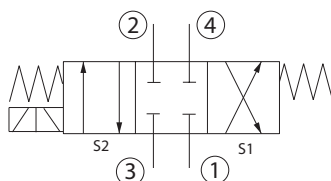
Specifications

Rated pressure	230 bar [3300 psi]
Rated flow at 7 bar [100 psi]	20 l/min [5 US gal/min]
Weight	0.81 kg [1.79 lb]
Cavity	SDC10-4
Standard Coil	M16 26 Watt
Robust Coil	R16 20 Watt Robust Nut P/N 173804910 (no coil O-rings needed)

Theoretical performance



Schematic



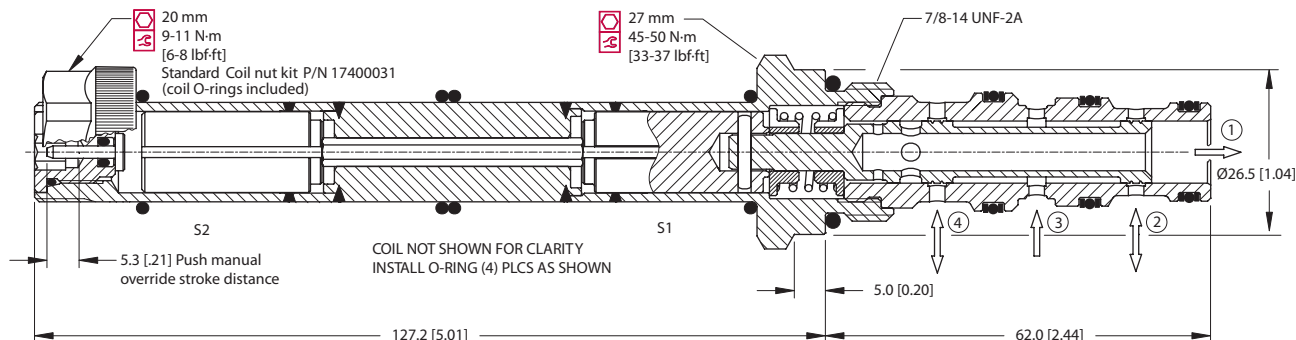
P108279

P103 588E

DIMENSIONS

mm [in]

Cross-sectional view



P103 554

ORDERING INFORMATION

SV10-34-02-12D-DN-B-00

Coil voltage

- 00 = No Coil
- 12D = 12 VDC (Standard Coil)
- 24D = 24 VDC (Standard Coil)
- R12D = 12 VDC (R-Coil)
- R24D = 24 VDC (R-Coil)

Coil termination:

- 00 = No Coil
- FL = Flying Lead
- DN = DIN 43650 *
- DE = Deutsch
- AJ = Amp Junior *
- SP = Spade *
- AS = AMP SuperSeal 1.5 and Metri-Pack 150 type 1

Body and ports

- 00 = Cartridge only
- 6S = Al, #6 SAE
- 8S = Al, #8 SAE
- L3B = Al, 3/8 BSP
- L4B = Al, 1/2 BSP
- Other housings available

- Seals**
B = Buna-N
V = Viton
- Seals kit**
354001919
354002019

Body Nomenclature

- No Body
- CP10-4-6S
- CP10-4-8S
- SDC10-4-L3B
- SDC10-4-L4B

P103 449E

* These terminations are not available on robust coil (R12D, R24D)

OPERATION

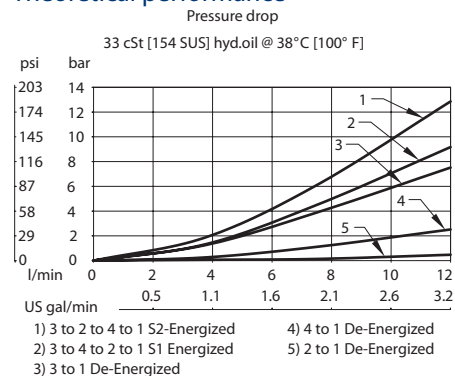
This is a direct-acting, 3-position, 4-way, spool-type solenoid valve.

SPECIFICATIONS

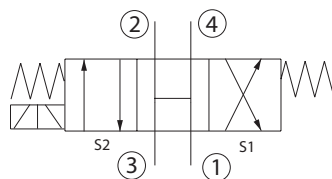
Specifications

Rated pressure	230 bar [3300 psi]
Rated flow at 7 bar [100 psi]	8 l/min [2 US gal/min]
Weight	0.55 kg [1.21 lb]
Cavity	SDC08-4
Standard Coil	M13 20 Watt
Robust Coil	R13 16 Watt Robust Nut P/N 173804910 (no coil O-rings needed)

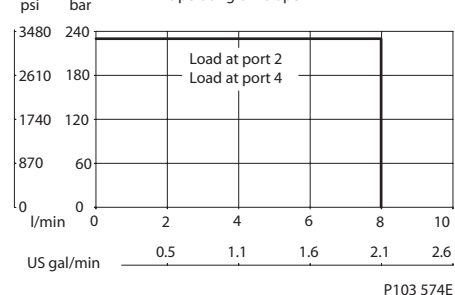
Theoretical performance



Schematic



Operating envelope

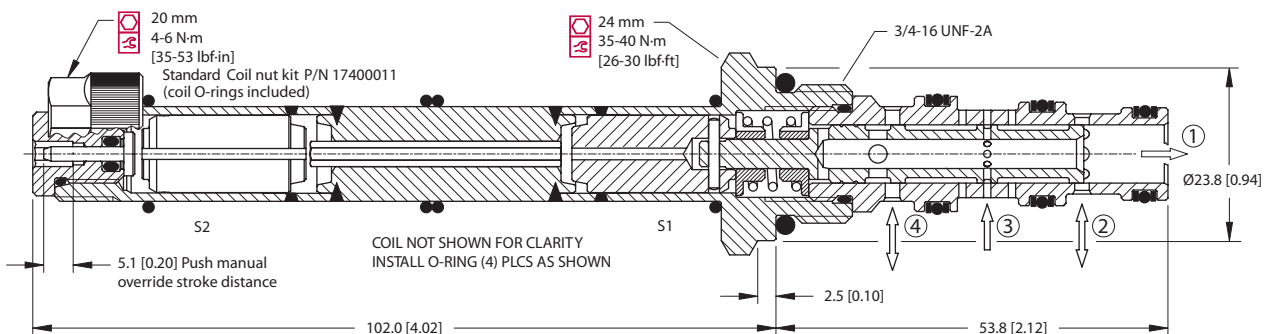


P108277

DIMENSIONS

mm [in]

Cross-sectional view



P103 473

ORDERING INFORMATION

SV08-34-03-12D-DN-B-00

Coil voltage

- 00 = No Coil
- 12D = 12 VDC (Standard Coil)
- 24D = 24 VDC (Standard Coil)
- R12D = 12 VDC (R-Coil)
- R24D = 24 VDC (R-Coil)

Coil termination:

- 00 = No Coil
- FL = Flying Lead
- DN = DIN 43650 *
- DE = Deutsch
- AJ = Amp Junior *
- SP = Spade *
- AS = AMP SuperSeal 1.5 and Metri-Pack 150 type 1

Body and ports

- 00 = Cartridge only
- 4S = Al, #4 SAE
- 6S = Al, #6 SAE
- L2B = Al, 1/4 BSP
- Other housings available

Body Nomenclature

- No Body
- CP08-4-4S
- CP08-4-6S
- SDC08-4-L2B

- Seals** **Seals kit**
- B = Buna-N 354003319
 - V = Viton 354003919

P103 435E

* These terminations are not available on robust coil (R12D, R24D)

Solenoid valves
SV08-34-03

OPERATION

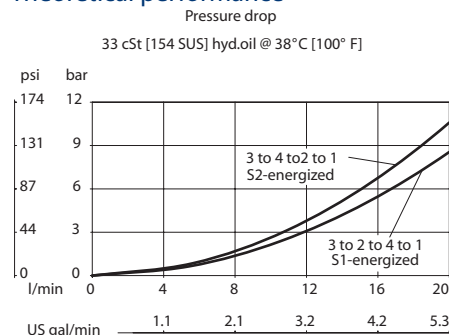
This is a direct-acting, 3-position, 4-way, spool-type solenoid valve.

SPECIFICATIONS

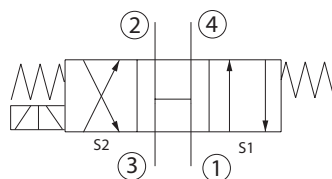
Specifications

Rated pressure	230 bar [3300 psi]
Rated flow at 7 bar [100 psi]	16 l/min [4 US gal/min]
Weight	0.81 kg [1.79 lb]
Cavity	SDC10-4
Standard Coil	M16 26 Watt
Robust Coil	R16 20 Watt Robust Nut P/N 173804910 (no coil O-rings needed)

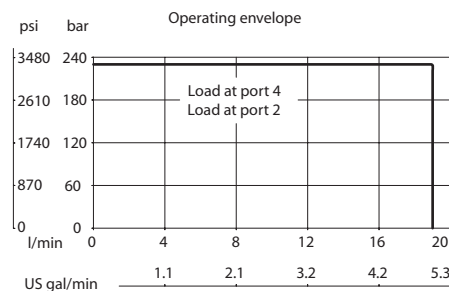
Theoretical performance



Schematic



P108278

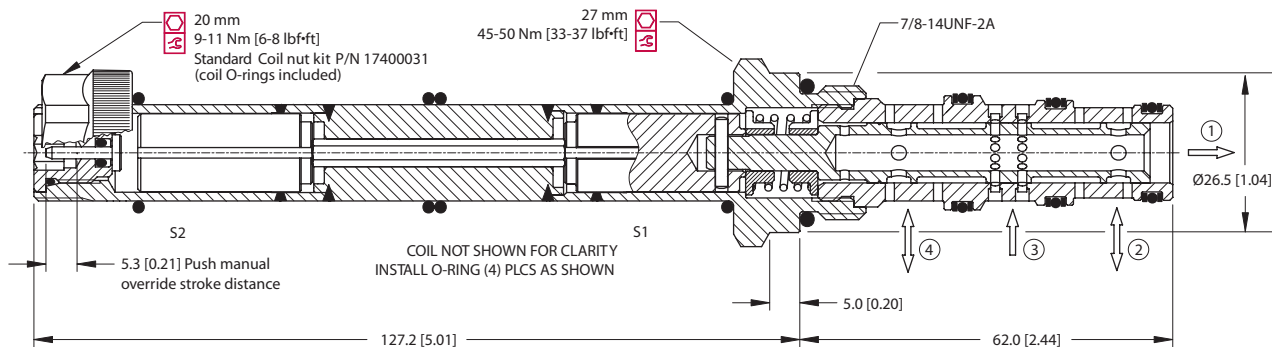


P103 589E

DIMENSIONS

mm [in]

Cross-sectional view



P103 555

ORDERING INFORMATION

SV10-34-03-12D-DN-B-00

Coil voltage

- 00 = No Coil
- 12D = 12 VDC (Standard Coil)
- 24D = 24 VDC (Standard Coil)
- R12D = 12 VDC (R-Coil)
- R24D = 24 VDC (R-Coil)

Coil termination:

- 00 = No Coil
- FL = Flying Lead
- DN = DIN 43650 *
- DE = Deutsch
- AJ = Amp Junior *
- SP = Spade *
- AS = AMP SuperSeal 1.5 and Metri-Pack 150 type 1

Body and ports

- 00 = Cartridge only
- 6S = Al, #6 SAE
- 8S = Al, #8 SAE
- L3B = Al, 3/8 BSP
- L4B = Al, 1/2 BSP
- Other housings available

- Seals**
B = Buna-N
V = Viton
- Seals kit**
354001919
354002019

Body Nomenclature

- No Body
- CP10-4-6S
- CP10-4-8S
- SDC10-4-L3B
- SDC10-4-L4B

P103 450E

* These terminations are not available on robust coil (R12D, R24D)

OPERATION

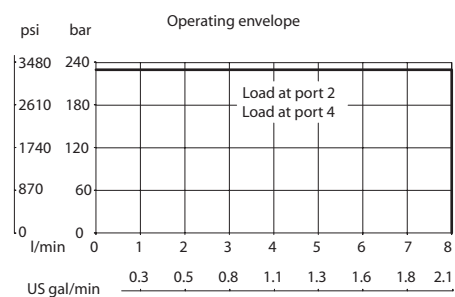
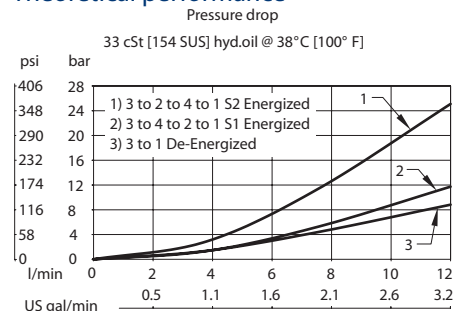
This is a direct-acting, 3-position, 4-way, spool-type solenoid valve.

SPECIFICATIONS

Specifications

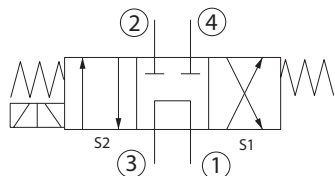
Rated pressure	230 bar [3300 psi]
Rated flow at 7 bar [100 psi]	6 l/min [2 US gal/min]
Weight	0.55 kg [1.21 lb]
Cavity	SDC08-4
Standard Coil	M13 20 Watt
Robust Coil	R13 16 Watt Robust Nut P/N 173804910 (no coil O-rings needed)

Theoretical performance



P103 575E

Schematic

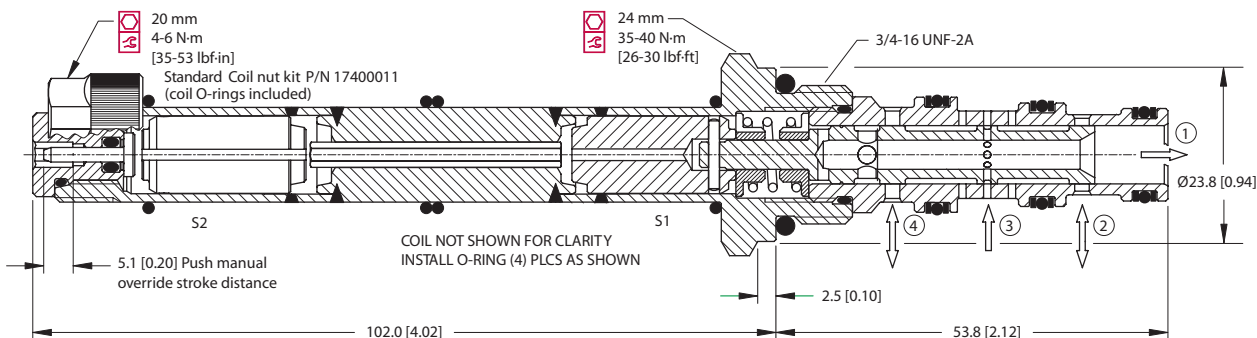


P102 394E

DIMENSIONS

mm [in]

Cross-sectional view



P103 474

ORDERING INFORMATION

SV08-34-04-12D-DN-B-00

Coil voltage

- 00 = No Coil
- 12D = 12 VDC (Standard Coil)
- 24D = 24 VDC (Standard Coil)
- R12D = 12 VDC (R-Coil)
- R24D = 24 VDC (R-Coil)

Coil termination:

- 00 = No Coil
- FL = Flying Lead
- DN = DIN 43650 *
- DE = Deutsch
- AJ = Amp Junior *
- SP = Spade *
- AS = AMP SuperSeal 1.5 and Metri-Pack 150 type 1

Body and ports

- 00 = Cartridge only
- 4S = Al, #4 SAE
- 6S = Al, #6 SAE
- L2B = Al, 1/4 BSP
- Other housings available

Body Nomenclature

- No Body
- CP08-4-4S
- CP08-4-6S
- SDC08-4-L2B

Seals

- B = Buna-N
- V = Viton

Seals kit

- 354003319
- 354003919

P103 436E

* These terminations are not available on robust coil (R12D, R24D)

OPERATION

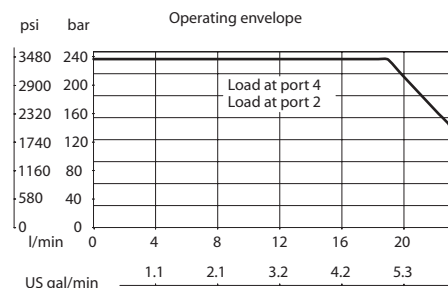
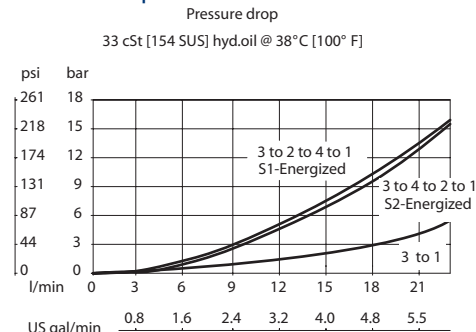
This is a direct-acting, 3-position, 4-way, spool-type solenoid valve.

SPECIFICATIONS

Specifications

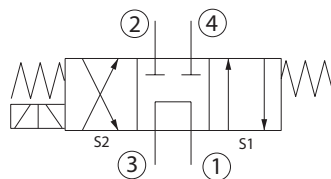
Rated pressure	230 bar [3300 psi]
Rated flow at 7 bar [100 psi]	15 l/min [4 US gal/min]
Weight	0.81 kg [1.79 lb]
Cavity	SDC10-4
Standard Coil	M16 26 Watt
Robust Coil	R16 20 Watt Robust Nut P/N 173804910 (no coil O-rings needed)

Theoretical performance



P103 590E

Schematic

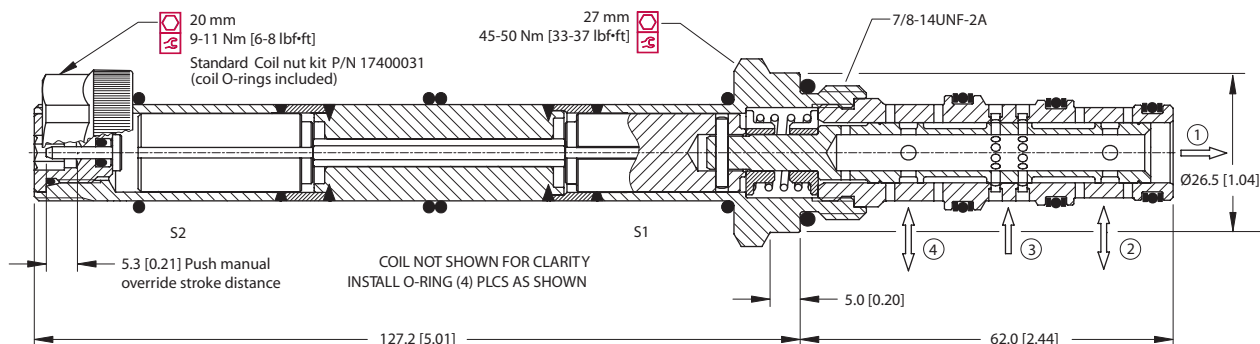


P108276

DIMENSIONS

mm [in]

Cross-sectional view



P103 556

ORDERING INFORMATION

SV10-34-04-12D-DN-B-00

Coil voltage

- 00 = No Coil
- 12D = 12 VDC (Standard Coil)
- 24D = 24 VDC (Standard Coil)
- R12D = 12 VDC (R-Coil)
- R24D = 24 VDC (R-Coil)

Coil termination:

- 00 = No Coil
- FL = Flying Lead
- DN = DIN 43650 *
- DE = Deutsch
- AJ = Amp Junior *
- SP = Spade *
- AS = AMP SuperSeal 1.5 and Metri-Pack 150 type 1

Body and ports

- 00 = Cartridge only
- 6S = Al, #6 SAE
- 8S = Al, #8 SAE
- L3B = Al, 3/8 BSP
- L4B = Al, 1/2 BSP
- Other housings available

- Seals**
B = Buna-N
V = Viton
- Seals kit**
354001919
354002019

Body Nomenclature

- No Body
- CP10-4-6S
- CP10-4-8S
- SDC10-4-L3B
- SDC10-4-L4B

P103 451E

* These terminations are not available on robust coil (R12D, R24D)

Solenoid valves
SV10-34-04

OPERATION

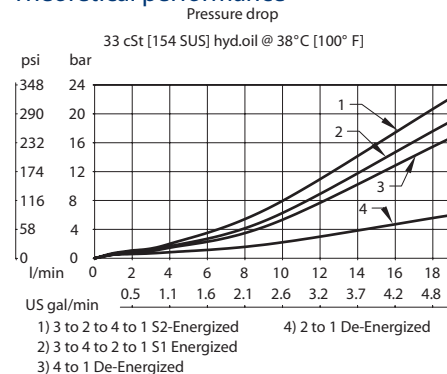
This is a direct-acting, 3-position, 4-way, spool-type solenoid valve.

SPECIFICATIONS

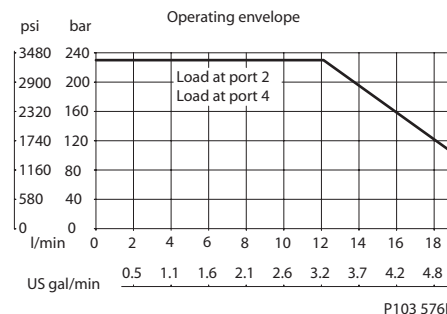
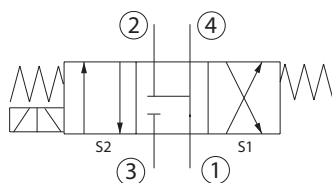
Specifications

Rated pressure	230 bar [3300 psi]
Rated flow at 7 bar [100 psi]	10 l/min [3 US gal/min]
Weight	0.55 kg [1.21 lb]
Cavity	SDC08-4
Standard Coil	M13 20 Watt
Robust Coil	R13 16 Watt Robust Nut P/N 173804910 (no coil O-rings needed)

Theoretical performance



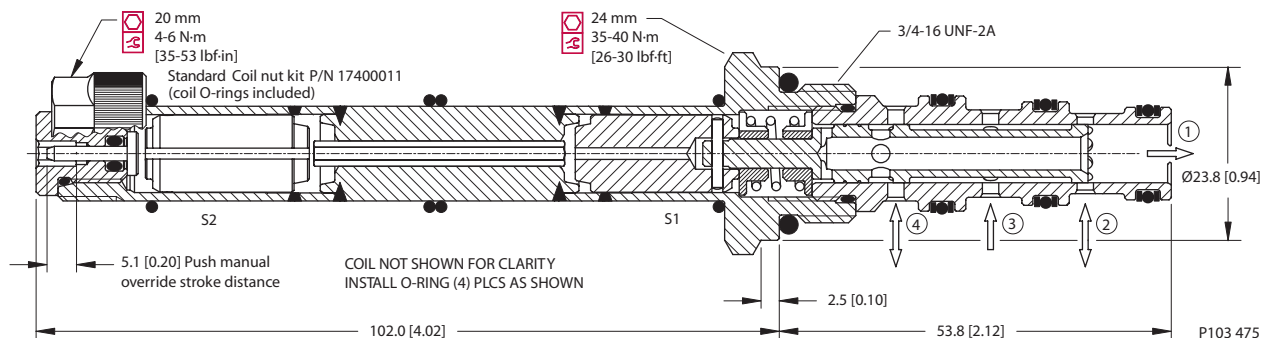
Schematic



DIMENSIONS

mm [in]

Cross-sectional view



ORDERING INFORMATION

SV08-34-05-12D-DN-B-00

Coil voltage

- 00 = No Coil
- 12D = 12 VDC (Standard Coil)
- 24D = 24 VDC (Standard Coil)
- R12D = 12 VDC (R-Coil)
- R24D = 24 VDC (R-Coil)

Coil termination:

- 00 = No Coil
- FL = Flying Lead
- DN = DIN 43650 *
- DE = Deutsch
- AJ = Amp Junior *
- SP = Spade *
- AS = AMP SuperSeal 1.5 and Metri-Pack 150 type 1

Body and ports

- 00 = Cartridge only
- 4S = Al, #4 SAE
- 6S = Al, #6 SAE
- L2B = Al, 1/4 BSP
- Other housings available

Body Nomenclature

- No Body
- CP08-4-4S
- CP08-4-6S
- SDC08-4-L2B

Seals

- B = Buna-N
- V = Viton

Seals kit

- 354003319
- 354003919

P103 437E

* These terminations are not available on robust coil (R12D, R24D)

OPERATION

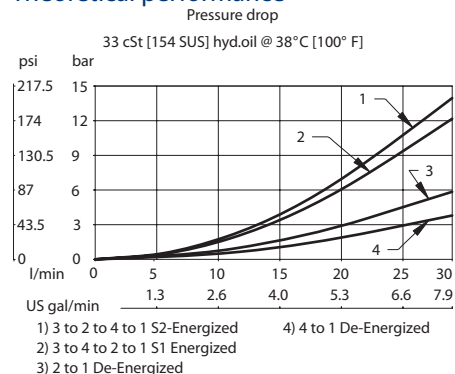
This is a direct-acting, 3-position, 4-way, spool-type solenoid valve.

SPECIFICATIONS

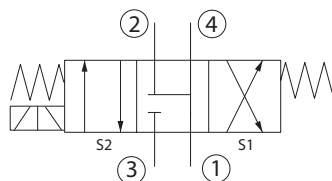
Specifications

Rated pressure	230 bar [3300 psi]
Rated flow at 7 bar [100 psi]	20 l/min [5 US gal/min]
Weight	0.81 kg [1.79 lb]
Cavity	SDC10-4
Standard Coil	M16 26 Watt
Robust Coil	R16 20 Watt Robust Nut P/N 173804910 (no coil O-rings needed)

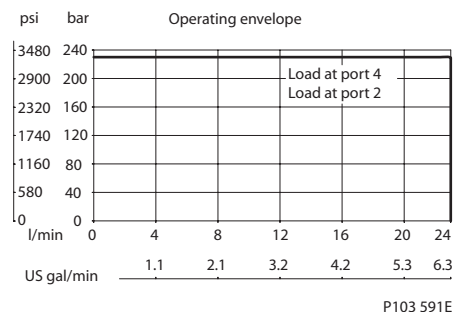
Theoretical performance



Schematic



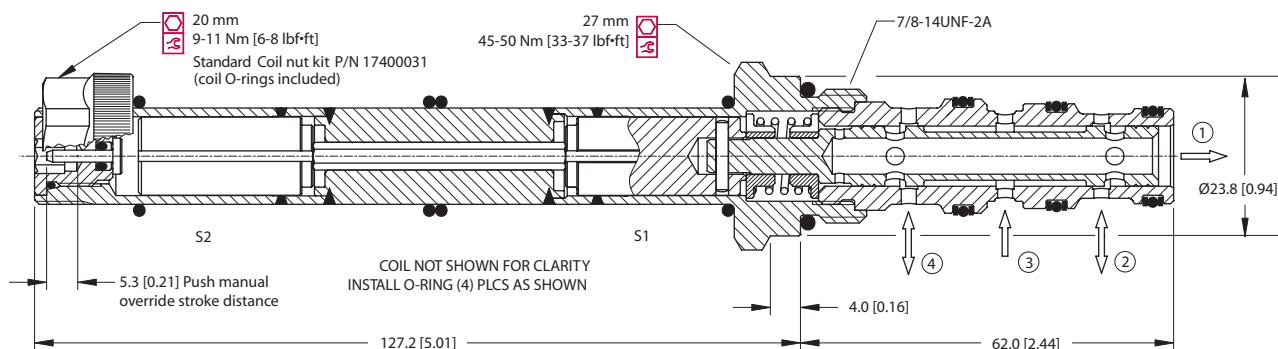
P108280



DIMENSIONS

mm [in]

Cross-sectional view



ORDERING INFORMATION

SV10-34-05-12D-DN-B-00

Coil voltage

00 = No Coil
12D = 12 VDC (Standard Coil)
24D = 24 VDC (Standard Coil)
R12D = 12 VDC (R-Coil)
R24D = 24 VDC (R-Coil)

Coil termination:

00 = No Coil
FL = Flying Lead
DN = DIN 43650 *
DE = Deutsch
AJ = Amp Junior *
SP = Spade *
AS = AMP SuperSeal 1.5 and Metri-Pack 150 type 1

Body and ports

00 = Cartridge only
6S = Al, #6 SAE
8S = Al, #8 SAE
L3B = Al, 3/8 BSP
L4B = Al, 1/2 BSP
Other housings available

Seals
B = Buna-N
V = Viton

Seals kit
354001919
354002019

Body Nomenclature

No Body
CP10-4-6S
CP10-4-8S
SDC10-4-L3B
SDC10-4-L4B

P103 452E

* These terminations are not available on robust coil (R12D, R24D)

OPERATION

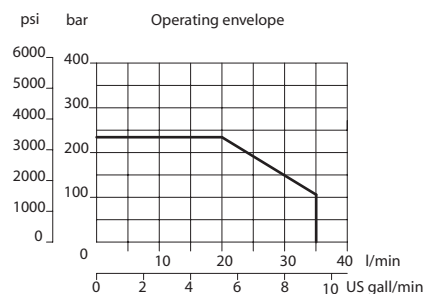
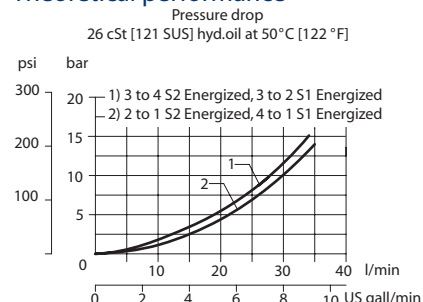
This is a direct-acting, 3-position, 4-way, spool-type solenoid valve.

SPECIFICATIONS

Specifications

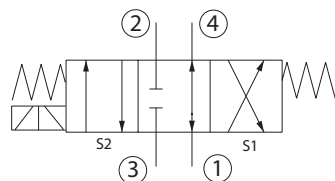
Rated pressure	230 bar [3300 psi]
Rated flow at 7 bar [100 psi]	24 l/min [6 US gal/min]
Weight	0.81 kg [1.79 lb]
Cavity	SDC10-4
Standard Coil	M16 26 Watt
Robust Coil	R16 20 Watt Robust Nut P/N 173804910 (no coil O-rings needed)

Theoretical performance



P103 597E

Schematic

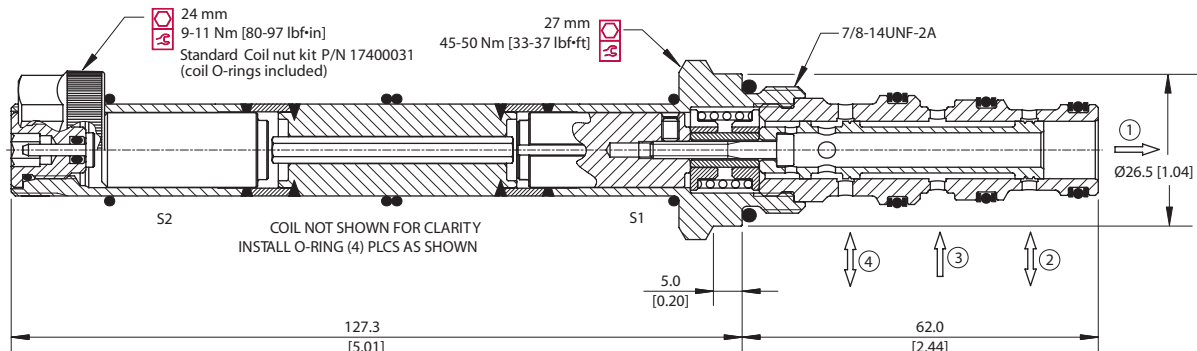


P108283

DIMENSIONS

mm [in]

Cross-sectional view



P103 563

ORDERING INFORMATION

SV10-34-11-12D-DN-B-00

Coil voltage

- 00 = No Coil
- 12D = 12 VDC (Standard Coil)
- 24D = 24 VDC (Standard Coil)
- R12D = 12 VDC (R-Coil)
- R24D = 24 VDC (R-Coil)

Coil termination:

- 00 = No Coil
- FL = Flying Lead
- DN = DIN 43650 *
- DE = Deutsch
- AJ = Amp Junior *
- SP = Spade *
- AS = AMP SuperSeal 1.5 and Metri-Pack 150 type 1

Body and ports

- 00 = Cartridge only
- 6S = Al, #6 SAE
- 8S = Al, #8 SAE
- L3B = Al, 3/8 BSP
- L4B = Al, 1/2 BSP
- Other housings available

- Seals** **Seals kit**
- B = Buna-N 354001919
 - V = Viton 354002019

Body Nomenclature

- No Body
- CP10-4-6S
- CP10-4-8S
- SDC10-4-L3B
- SDC10-4-L4B

P103 458E

* These terminations are not available on robust coil (R12D, R24D)